

INDUCTIVE SENSOR - M8

**Long distance version
Connector output
Flush-mountable**

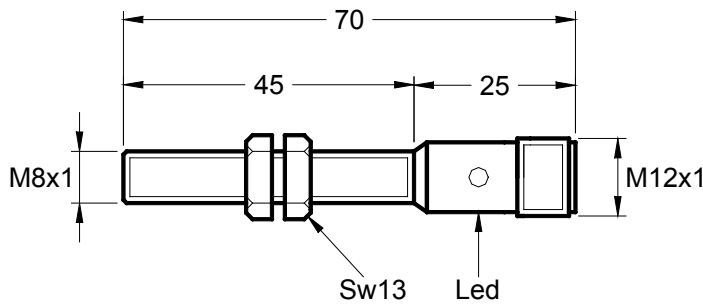
ART. NO.

SM-10-A11-S-Y5-D3 - SM109008
SM-10-A11-O-Y5-D3
SM-20-A11-S-Y5-D3

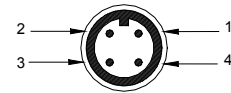
DESCRIPTION

10 = PNP
20 = NPN
A11 = M8x1
S = NO
O = NC
Y5 = metal connector M12x1
D3 = Sn 3 mm

DIMENSIONS AND TECHNICAL DATA

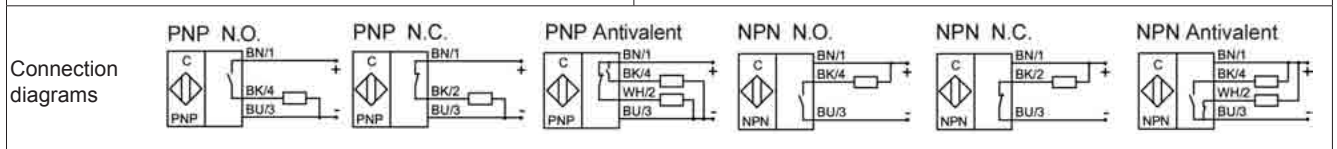


Connector Y1-Y3-Y5 for M12-M18-M30 sensors



- 1 = brown = + Vcc
- 2 = free or NC output for A version
- 3 = blue = - GND
- 4 = black = NPN-PNP, NO output or NC output for O version

Operating distance Sn	3 mm
Flush mounting	yes
Electrical version	4 pin DC
Operating voltage Ub	10...35 Vdc
Output current Ie	max. 250mA
Voltage drop Ud	max. ≤ 3.5 V
Permitted residual ripple	max. 5%
No load current Io	tip. 10mA
Frequency of operating cycles	max. 1 KHz
Hysteresis	< 10 %
Repeat accuracy	< 1 %
Permitted ambient temperature	-10...+60°C
Temperature drift	< 10 %
Led display	yellow
Protective circuit	built-in
Degree of protection	(IEC 529) IP 67
Housing material	INOX303
Active surface	PVDF
Connection	metal connector M12x1
Maximum torque Nm	4.5



Ed. E/12 - All specifications are subject to change without notice