

DC METAL FACE INDUCTIVE PROXIMITY SENSOR FERROUS ONLY SENSING

Diameter
● Shielded ○ Non-shielded
Switching Distance Sn: mm
Housing Material
● With LED ○ Without LED



Operating Voltage	10-30VDC
Ripple	<10%
No Load Current	<10mA
Max. Load Current	200mA
Leakage Current	<0.01mA
Voltage Drop	<1.5V
Switching Frequency	2KHZ 1KHZ
Response Time	0.1ms/0.1ms 0.2ms/0.2ms
Switching Hysteresis	<15%(Sr)
Repeat Accuracy	<1.0%(Sr)
Protection Category	IP67
Operating Temperature	-25 °C - + 70 °C
Temperature Drift	<10%(Sr)
Short Circuit Protection	YES
Overload Trip Point	220mA
Material Active Face	Stainless steel

DC 3 wire 10-30V NPN N.O.	P1C1F1202N03A2/F	1	P1C2F1204N03A2/F
DC 3 wire 10-30V NPN N.C.	P1C1F1202NC3A2/F	2	P1C2F1204NC3A2/F
DC 3 wire 10-30V PNP N.O.	P1C1F1202P03A2/F	3	P1C2F1204P03A2/F
DC 3 wire 10-30V PNP N.C.	P1C1F1202PC3A2/F	4	P1C2F1204PC3A2/F
DC 4 wire 10-30V Changeover PNP (N.O. & N.C.)			
DC 4 wire 10-30V Changeover NPN (N.O. & N.C.)			
DC 2 wire 10-60V N.O.			
DC 2 wire 10-60V N.C.			
DC 3 wire 10-55V NPN N.O.			
DC 3 wire 10-55V NPN N.C.			
DC 3 wire 10-55V PNP N.O.			
DC 3 wire 10-55V PNP N.C.			
DC 3 wire 5-36V NPN N.O.			
DC 3 wire 5-36V NPN N.C.			
DC 3 wire 5-36V PNP N.O.			
DC 3 wire 5-36V PNP N.C.			
DC 4 wire 5-36V Changeover PNP (N.O & N.C.)			
DC 4 wire 5-36V Changeover NPN (N.O & N.C.)			

Dimensions (unit: mm)

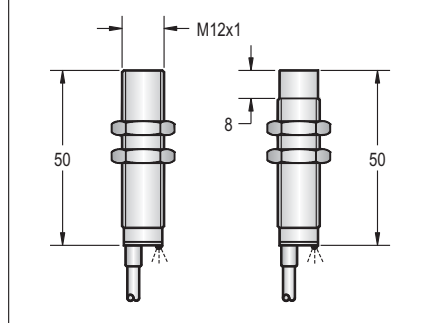
Cable 2M (PVC)	4 φ 3x0.34
Weight	approx.67g

M12	
●	○
2 mm	4 mm
Stainless steel	
●	



Operating Voltage	10-30VDC
Ripple	<10%
No Load Current	<10mA
Max. Load Current	200mA
Leakage Current	<0.01mA
Voltage Drop	<1.5V
Switching Frequency	2KHZ 1KHZ
Response Time	0.1ms/0.1ms 0.2ms/0.2ms
Switching Hysteresis	<15%(Sr)
Repeat Accuracy	<1.0%(Sr)
Protection Category	IP67
Operating Temperature	-25 °C - + 70 °C
Temperature Drift	<10%(Sr)
Short Circuit Protection	YES
Overload Trip Point	220mA
Material Active Face	Stainless steel

DC 3 wire 10-30V NPN N.O.	P1C1F1202N03A2/F	1	P1C2F1204N03A2/F
DC 3 wire 10-30V NPN N.C.	P1C1F1202NC3A2/F	2	P1C2F1204NC3A2/F
DC 3 wire 10-30V PNP N.O.	P1C1F1202P03A2/F	3	P1C2F1204P03A2/F
DC 3 wire 10-30V PNP N.C.	P1C1F1202PC3A2/F	4	P1C2F1204PC3A2/F
DC 4 wire 10-30V Changeover PNP (N.O. & N.C.)			
DC 4 wire 10-30V Changeover NPN (N.O. & N.C.)			
DC 2 wire 10-60V N.O.			
DC 2 wire 10-60V N.C.			
DC 3 wire 10-55V NPN N.O.			
DC 3 wire 10-55V NPN N.C.			
DC 3 wire 10-55V PNP N.O.			
DC 3 wire 10-55V PNP N.C.			
DC 3 wire 5-36V NPN N.O.			
DC 3 wire 5-36V NPN N.C.			
DC 3 wire 5-36V PNP N.O.			
DC 3 wire 5-36V PNP N.C.			
DC 4 wire 5-36V Changeover PNP (N.O & N.C.)			
DC 4 wire 5-36V Changeover NPN (N.O & N.C.)			



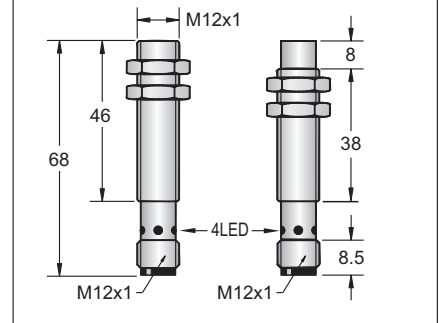
Cable 2M (PVC)	4 φ 3x0.34
Weight	approx.67g

M12	
●	○
2 mm	4 mm
Stainless steel	
●	



Operating Voltage	10-30VDC
Ripple	<10%
No Load Current	<10mA
Max. Load Current	200mA
Leakage Current	<0.01mA
Voltage Drop	<1.5V
Switching Frequency	2KHZ 1KHZ
Response Time	0.1ms/0.1ms 0.2ms/0.2ms
Switching Hysteresis	<15%(Sr)
Repeat Accuracy	<1.0%(Sr)
Protection Category	IP67
Operating Temperature	-25 °C - + 70 °C
Temperature Drift	<10%(Sr)
Short Circuit Protection	YES
Overload Trip Point	220mA
Material Active Face	Stainless steel

DC 3 wire 10-30V NPN N.O.	P1C1F1202N0EA4/F	31	P1C2F1204N0EA4/F
DC 3 wire 10-30V NPN N.C.	P1C1F1202NCEA4/F	32	P1C2F1204NCEA4/F
DC 3 wire 10-30V PNP N.O.	P1C1F1202POEA4/F	33	P1C2F1204POEA4/F
DC 3 wire 10-30V PNP N.C.	P1C1F1202PCEA4/F	34	P1C2F1204PCEA4/F
DC 4 wire 10-30V Changeover PNP (N.O. & N.C.)			
DC 4 wire 10-30V Changeover NPN (N.O. & N.C.)			
DC 2 wire 10-60V N.O.			
DC 2 wire 10-60V N.C.			
DC 3 wire 10-55V NPN N.O.			
DC 3 wire 10-55V NPN N.C.			
DC 3 wire 10-55V PNP N.O.			
DC 3 wire 10-55V PNP N.C.			
DC 3 wire 5-36V NPN N.O.			
DC 3 wire 5-36V NPN N.C.			
DC 3 wire 5-36V PNP N.O.			
DC 3 wire 5-36V PNP N.C.			
DC 4 wire 5-36V Changeover PNP (N.O & N.C.)			
DC 4 wire 5-36V Changeover NPN (N.O & N.C.)			



Cable 2M (PVC)	4 φ 3x0.34
Weight	approx.30g