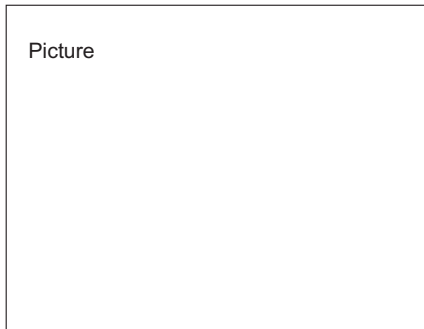


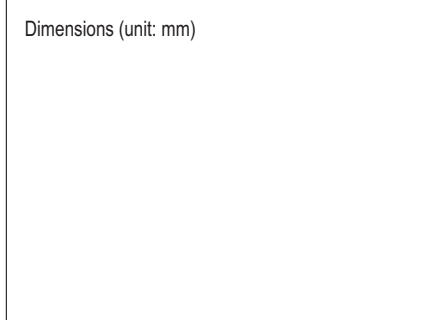
DC METAL FACE INDUCTIVE PROXIMITY SENSOR NON-FERROUS ONLY SENSING

Diameter
● Shielded ○ Non-shielded
Switching Distance Sn: mm
Housing Material
● With LED ○ Without LED



Operating Voltage	10-30VDC
Ripple	<10%
No Load Current	<10mA
Max. Load Current	200mA
Leakage Current	<0.01mA
Voltage Drop	<1.5V
Switching Frequency	2KHZ 1KHZ
Response Time	0.1ms/0.1ms 0.2ms/0.2ms
Switching Hysteresis	<15%(Sr)
Repeat Accuracy	<1.0%(Sr)
Protection Category	IP67
Operating Temperature	-25°C - +70 °C
Temperature Drift	<10%(Sr)
Short Circuit Protection	YES
Overload Trip Point	220mA
Material Active Face	Stainless steel

DC 3 wire 10-30V NPN N.O.	P1C1F1202NO3A2/N	1	P1C2F1204NO3A2/N
DC 3 wire 10-30V NPN N.C.	P1C1F1202NC3A2/N	2	P1C2F1204NC3A2/N
DC 3 wire 10-30V PNP N.O.	P1C1F1202PO3A2/N	3	P1C2F1204PO3A2/N
DC 3 wire 10-30V PNP N.C.	P1C1F1202PC3A2/N	4	P1C2F1204PC3A2/N
DC 4 wire 10-30V Changeover PNP (N.O. & N.C.)			
DC 4 wire 10-30V Changeover NPN (N.O. & N.C.)			
DC 2 wire 10-60V N.O.			
DC 2 wire 10-60V N.C.			
DC 3 wire 10-55V NPN N.O.			
DC 3 wire 10-55V NPN N.C.			
DC 3 wire 10-55V PNP N.O.			
DC 3 wire 10-55V PNP N.C.			
DC 3 wire 5-36V NPN N.O.			
DC 3 wire 5-36V NPN N.C.			
DC 3 wire 5-36V PNP N.O.			
DC 3 wire 5-36V PNP N.C.			
DC 4 wire 5-36V Changeover PNP (N.O. & N.C.)			
DC 4 wire 5-36V Changeover NPN (N.O. & N.C.)			



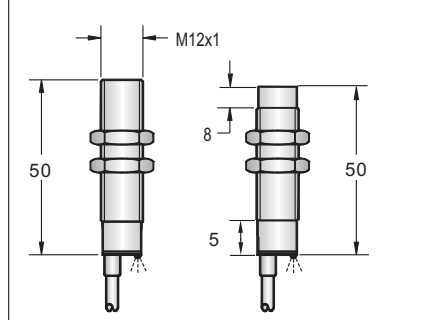
Cable 2M (PVC)	4 φ 3x0.34
Weight	approx.77g

M12	
●	○
2 mm	4 mm
Stainless steel	
●	



Operating Voltage	10-30VDC
Ripple	<10%
No Load Current	<10mA
Max. Load Current	200mA
Leakage Current	<0.01mA
Voltage Drop	<1.5V
Switching Frequency	2KHZ 1KHZ
Response Time	0.1ms/0.1ms 0.2ms/0.2ms
Switching Hysteresis	<15%(Sr)
Repeat Accuracy	<1.0%(Sr)
Protection Category	IP67
Operating Temperature	-25°C - +70 °C
Temperature Drift	<10%(Sr)
Short Circuit Protection	YES
Overload Trip Point	220mA
Material Active Face	Stainless steel

DC 3 wire 10-30V NPN N.O.	P1C1F1202NO3A2/N	1	P1C2F1204NO3A2/N
DC 3 wire 10-30V NPN N.C.	P1C1F1202NC3A2/N	2	P1C2F1204NC3A2/N
DC 3 wire 10-30V PNP N.O.	P1C1F1202PO3A2/N	3	P1C2F1204PO3A2/N
DC 3 wire 10-30V PNP N.C.	P1C1F1202PC3A2/N	4	P1C2F1204PC3A2/N
DC 4 wire 10-30V Changeover PNP (N.O. & N.C.)			
DC 4 wire 10-30V Changeover NPN (N.O. & N.C.)			
DC 2 wire 10-60V N.O.			
DC 2 wire 10-60V N.C.			
DC 3 wire 10-55V NPN N.O.			
DC 3 wire 10-55V NPN N.C.			
DC 3 wire 10-55V PNP N.O.			
DC 3 wire 10-55V PNP N.C.			
DC 3 wire 5-36V NPN N.O.			
DC 3 wire 5-36V NPN N.C.			
DC 3 wire 5-36V PNP N.O.			
DC 3 wire 5-36V PNP N.C.			
DC 4 wire 5-36V Changeover PNP (N.O. & N.C.)			
DC 4 wire 5-36V Changeover NPN (N.O. & N.C.)			



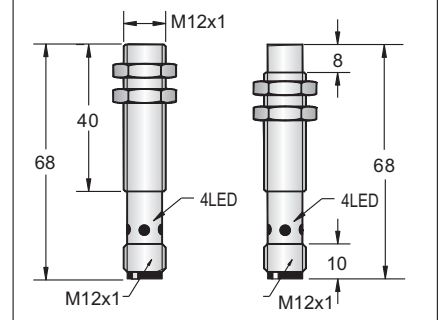
Cable 2M (PVC)	4 φ 3x0.34
Weight	approx.77g

M12	
●	○
2 mm	4 mm
Stainless steel	
●	



Operating Voltage	10-30VDC
Ripple	<10%
No Load Current	<10mA
Max. Load Current	200mA
Leakage Current	<0.01mA
Voltage Drop	<1.5V
Switching Frequency	2KHZ 1KHZ
Response Time	0.1ms/0.1ms 0.2ms/0.2ms
Switching Hysteresis	<15%(Sr)
Repeat Accuracy	<1.0%(Sr)
Protection Category	IP67
Operating Temperature	-25°C - +70 °C
Temperature Drift	<10%(Sr)
Short Circuit Protection	YES
Overload Trip Point	220mA
Material Active Face	Stainless steel

DC 3 wire 10-30V NPN N.O.	P1C1F1202NOEA4/N	31	P1C2F1204NOEA4/N
DC 3 wire 10-30V NPN N.C.	P1C1F1202NCEA4/N	32	P1C2F1204NCEA4/N
DC 3 wire 10-30V PNP N.O.	P1C1F1202POEA4/N	33	P1C2F1204POEA4/N
DC 3 wire 10-30V PNP N.C.	P1C1F1202PCEA4/N	34	P1C2F1204PCEA4/N
DC 4 wire 10-30V Changeover PNP (N.O. & N.C.)			
DC 4 wire 10-30V Changeover NPN (N.O. & N.C.)			
DC 2 wire 10-60V N.O.			
DC 2 wire 10-60V N.C.			
DC 3 wire 10-55V NPN N.O.			
DC 3 wire 10-55V NPN N.C.			
DC 3 wire 10-55V PNP N.O.			
DC 3 wire 10-55V PNP N.C.			
DC 3 wire 5-36V NPN N.O.			
DC 3 wire 5-36V NPN N.C.			
DC 3 wire 5-36V PNP N.O.			
DC 3 wire 5-36V PNP N.C.			
DC 4 wire 5-36V Changeover PNP (N.O. & N.C.)			
DC 4 wire 5-36V Changeover NPN (N.O. & N.C.)			



Cable 2M (PVC)	4 φ 3x0.34
Weight	approx.30g