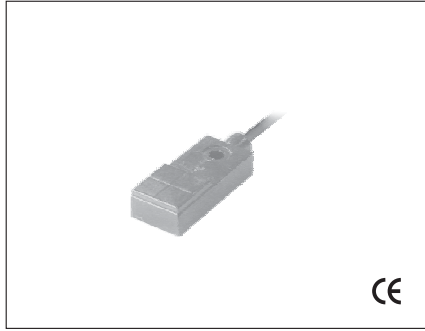
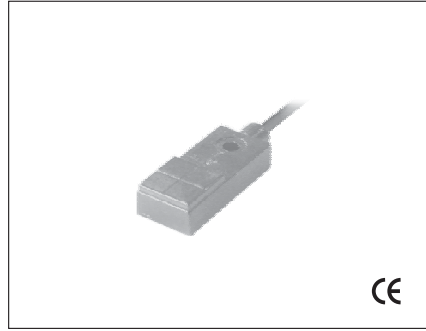


MIN Q SERIES MICRO-PROXIMITY SENSORS

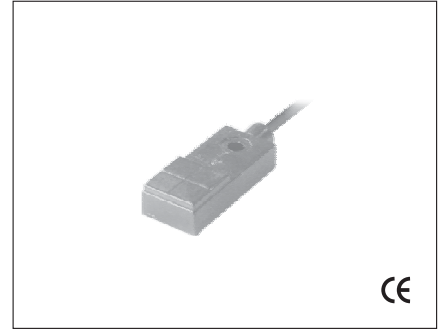
Q10
○
2mm
Polycarbonate
●



Q12
○
2mm
Polycarbonate
●



Q12
○
3mm
Polycarbonate
●



10-30VDC
<10%
<10mA
200mA
<0.01mA
<1.5V
250HZ
0.5ms/0.5ms
<15%(Sr)
<0.04mm
IP67
-25 °C - +70 °C
<10%(Sr)
YES
220mA
Polycarbonate

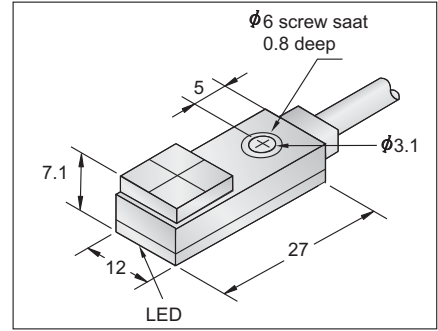
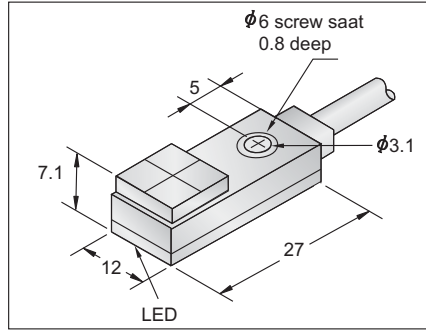
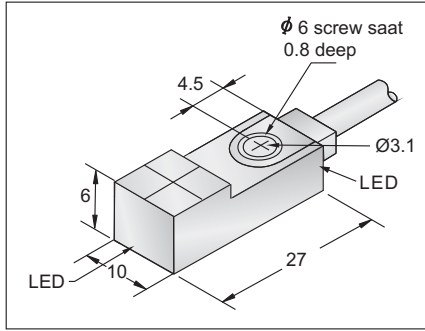
10-30VDC
<10%
<10mA
200mA
<0.01mA
<1.5V
500HZ
0.5ms/0.5ms
<15%(Sr)
<0.04mm
IP67
-25 °C - +70 °C
<10%(Sr)
YES
220mA
Polycarbonate

10-30VDC
<10%
<10mA
200mA
<0.01mA
<1.5V
500HZ
0.5ms/0.5ms
<15%(Sr)
<0.04mm
IP67
-25 °C - +70 °C
<10%(Sr)
YES
220mA
Polycarbonate

P1S2P1002NO3A2/F	1
P1S2P1002NC3A2/F	2
P1S2P1002PO3A2/F	3
P1S2P1002PC3A2/F	4

P1S2P1202NO3A2/F	1
P1S2P1202NC3A2/F	2
P1S2P1202PO3A2/F	3
P1S2P1202PC3A2/F	4

P1S2P1203NO3A2/F	1
P1S2P1203NC3A2/F	2
P1S2P1203PO3A2/F	3
P1S2P1203PC3A2/F	4



2.7 ϕ 3x0.15 PUR
approx.20 g

2.7 ϕ 3x0.15 PUR
approx.20 g

2.7 ϕ 3x0.15 PUR
approx.20 g

