

AC INDUCTIVE PROXIMITY SENSOR 5 WAY ROTATABLE SENSING HEAD

Diameter
● Shielded ○ Non-shielded
Switching Distance Sn: mm
Housing Material
● With LED ○ Without LED

Q40s
○
30 mm
PBT RESIN
●

Q40s
●
15 mm
PBT RESIN
●

Picture



Operating Voltage
No Load Current
Max. Load Current
Leakage Current
Surge Current
Min. Load Current
Voltage Drop
Switching Frequency
Response Time
Switching Hysteresis
Repeat Accuracy
Protection Category
Operating Temperature
Temperature Drift
Short Circuit Protection
Material Active Face

20-250VAC
<2.5mA
400mA
2.5mA
5A(20ms)
5mA
<8VAC AT 400MA
<25HZ
10ms/10ms
<15%(Sr)
<1.0%(Sr)
IP67
-25 °C - +70 °C
<10%(Sr)
-
PBT

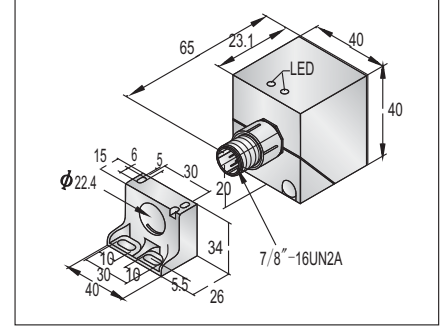
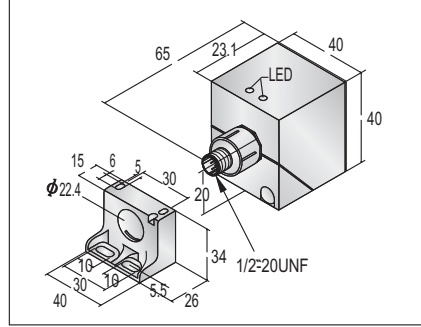
20-250VAC
<2.5mA
400mA
2.5mA
5A(20ms)
5mA
<8VAC AT 400MA
<25HZ
10ms/10ms
<15%(Sr)
<1.0%(Sr)
IP67
-25 °C - +70 °C
<10%(Sr)
-
PBT

DC 3 wire 10-30V NPN N.O.
DC 3 wire 10-30V NPN N.C.
DC 3 wire 10-30V PNP N.O.
DC 3 wire 10-30V PNP N.C.
DC 4 wire 10-30V Changeover PNP (N.O. & N.C.)
DC 4 wire 10-30V Changeover NPN (N.O. & N.C.)
DC 2 wire 10-60V N.O.
DC 2 wire 10-60V N.C.
DC 3 wire 10-55V NPN N.O.
DC 3 wire 10-55V NPN N.C.
DC 3 wire 10-55V PNP N.O.
DC 3 wire 10-55V PNP N.C.
AC 2 wire 20-250V N.O.
AC 2 wire 20-250V N.C.
AC 2 wire 20-250V N.O. or N.C. Changeable
AC/DC 2 wire 20-250V N.O.
AC/DC 2 wire 20-250V N.C.
AC/DC 2 wire 20-250V N.O. or N.C. Changeable

P7S2P4030AOMS3	52
P7S2P4030ACMS3	52

P7S1P4015AOZS2	56
P7S1P4015ACZS2	56
P7S1P4015AAZS4	42

Dimensions (unit: mm)



Cable 2M (PVC)
Weight

Approx.170 g

Approx.170 g

AC INDUCTIVE PROXIMITY SENSOR 5 WAY ROTATABL SENSING HEAD

Diameter
● Shielded ○ Non-shielded
Switching Distance Sn: mm
Housing Material
● With LED ○ Without LED

Picture

Operating Voltage	20-250VAC
No Load Current	<2.5mA
Max. Load Current	400mA
Leakage Current	2.5mA
Surge Current	5A(20ms)
Min. Load Current	5mA
Voltage Drop	<8VAC AT 400MA
Switching Frequency	<25HZ
Response Time	10ms/10ms
Switching Hysteresis	<15%(Sr)
Repeat Accuracy	<1.0%(Sr)
Protection Category	IP67
Operating Temperature	-25 °C - +70 °C
Temperature Drift	<10%(Sr)
Short Circuit Protection	
Material Active Face	PBT
DC 3 wire 10-30V NPN N.O.	
DC 3 wire 10-30V NPN N.C.	
DC 3 wire 10-30V PNP N.O.	
DC 3 wire 10-30V PNP N.C.	
DC 4 wire 10-30V Changeover PNP (N.O. & N.C.)	
DC 4 wire 10-30V Changeover NPN (N.O. & N.C.)	
DC 2 wire 10-60V N.O.	
DC 2 wire 10-60V N.C.	
DC 3 wire 10-55V NPN N.O.	
DC 3 wire 10-55V NPN N.C.	
DC 3 wire 10-55V PNP N.O.	
DC 3 wire 10-55V PNP N.C.	
AC 2 wire 20-250V N.O.	
AC 2 wire 20-250V N.C.	
AC 2 wire 20-250V N.O. or N.C. Changeable	
AC/DC 2 wire 20-250V N.O.	
AC/DC 2 wire 20-250V N.C.	
AC/DC 2 wire 20-250V N.O. or N.C. Changeable	

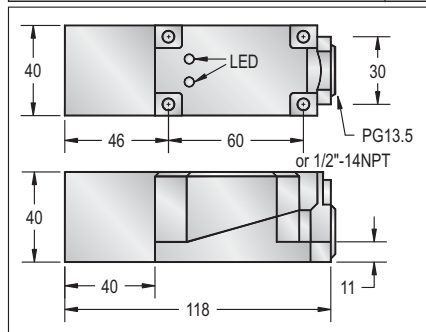
Dimensions (unit: mm)

Cable 2M (PVC)
Weight

Q40
○
30 mm
PBT RESIN
●



Operating Voltage	20-250VAC
No Load Current	<2.5mA
Max. Load Current	400mA
Leakage Current	2.5mA
Surge Current	5A(20ms)
Min. Load Current	5mA
Voltage Drop	<8VAC AT 400MA
Switching Frequency	<25HZ
Response Time	10ms/10ms
Switching Hysteresis	<15%(Sr)
Repeat Accuracy	<1.0%(Sr)
Protection Category	IP67
Operating Temperature	-25 °C - +70 °C
Temperature Drift	<10%(Sr)
Short Circuit Protection	
Material Active Face	PBT
DC 3 wire 10-30V NPN N.O.	
DC 3 wire 10-30V NPN N.C.	
DC 3 wire 10-30V PNP N.O.	
DC 3 wire 10-30V PNP N.C.	
DC 4 wire 10-30V Changeover PNP (N.O. & N.C.)	
DC 4 wire 10-30V Changeover NPN (N.O. & N.C.)	
DC 2 wire 10-60V N.O.	
DC 2 wire 10-60V N.C.	
DC 3 wire 10-55V NPN N.O.	
DC 3 wire 10-55V NPN N.C.	
DC 3 wire 10-55V PNP N.O.	
DC 3 wire 10-55V PNP N.C.	
AC 2 wire 20-250V N.O.	
AC 2 wire 20-250V N.C.	
AC 2 wire 20-250V N.O. or N.C. Changeable	
AC/DC 2 wire 20-250V N.O.	
AC/DC 2 wire 20-250V N.C.	
AC/DC 2 wire 20-250V N.O. or N.C. Changeable	
P7S2P4030AO2B	9
P7S2P4030AC2B	10
P7S2P4030AA4B	21

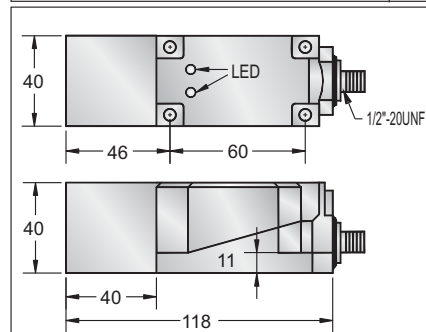


Approx.262 g

Q40
●
15 mm
PBT RESIN
●



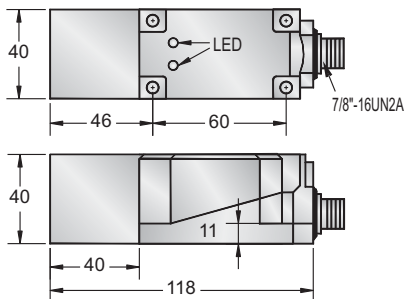
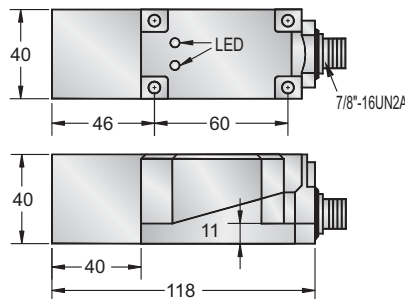


Operating Voltage	20-250VAC
No Load Current	<2.5mA
Max. Load Current	400mA
Leakage Current	2.5mA
Surge Current	5A(20ms)
Min. Load Current	5mA
Voltage Drop	<8VAC AT 400MA
Switching Frequency	<25HZ
Response Time	10ms/10ms
Switching Hysteresis	<15%(Sr)
Repeat Accuracy	<1.0%(Sr)
Protection Category	IP67
Operating Temperature	-25 °C - +70 °C
Temperature Drift	<10%(Sr)
Short Circuit Protection	
Material Active Face	PBT
DC 3 wire 10-30V NPN N.O.	
DC 3 wire 10-30V NPN N.C.	
DC 3 wire 10-30V PNP N.O.	
DC 3 wire 10-30V PNP N.C.	
DC 4 wire 10-30V Changeover PNP (N.O. & N.C.)	
DC 4 wire 10-30V Changeover NPN (N.O. & N.C.)	
DC 2 wire 10-60V N.O.	
DC 2 wire 10-60V N.C.	
DC 3 wire 10-55V NPN N.O.	
DC 3 wire 10-55V NPN N.C.	
DC 3 wire 10-55V PNP N.O.	
DC 3 wire 10-55V PNP N.C.	
AC 2 wire 20-250V N.O.	
AC 2 wire 20-250V N.C.	
AC 2 wire 20-250V N.O. or N.C. Changeable	
AC/DC 2 wire 20-250V N.O.	
AC/DC 2 wire 20-250V N.C.	
AC/DC 2 wire 20-250V N.O. or N.C. Changeable	
P7S1P4015AOMB3	52
P7S1P4015ACMB3	52



Approx.290 g

AC INDUCTIVE PROXIMITY SENSOR 5 WAY ROTATABLE SENSING HEAD

Diameter	Q40	Q40
● Shielded ○ Non-shielded	●	○
Switching Distance Sn: mm	20 mm	30 mm
Housing Material	PBT RESIN	PBT RESIN
● With LED ○ Without LED	●	●
Picture		
	CE	CE
Operating Voltage	20-250VAC	20-250VAC
No Load Current	<2.5mA	<2.5mA
Max. Load Current	400mA	400mA
Leakage Current	2.5mA	2.5mA
Surge Current	5A(20ms)	5A(20ms)
Min. Load Current	5mA	5mA
Voltage Drop	<8VAC AT 400MA	<8VAC AT 400MA
Switching Frequency	<25HZ	<25HZ
Response Time	10ms/10ms	10ms/10ms
Switching Hysteresis	<15%(Sr)	<15%(Sr)
Repeat Accuracy	<1.0%(Sr)	<1.0%(Sr)
Protection Category	IP67	IP67
Operating Temperature	-25 °C - +70 °C	-25 °C - +70 °C
Temperature Drift	<10%(Sr)	<10%(Sr)
Short Circuit Protection		
Material Active Face	PBT	PBT
DC 3 wire 10-30V NPN N.O.		
DC 3 wire 10-30V NPN N.C.		
DC 3 wire 10-30V PNP N.O.		
DC 3 wire 10-30V PNP N.C.		
DC 4 wire 10-30V Changeover PNP (N.O. & N.C.)		
DC 4 wire 10-30V Changeover NPN (N.O. & N.C.)		
DC 2 wire 10-60V N.O.		
DC 2 wire 10-60V N.C.		
DC 3 wire 10-55V NPN N.O.		
DC 3 wire 10-55V NPN N.C.		
DC 3 wire 10-55V PNP N.O.		
DC 3 wire 10-55V PNP N.C.		
AC 2 wire 20-250V N.O.	P7S2P4020AOZB2	P7S2P4030AOZB2
AC 2 wire 20-250V N.C.	P7S2P4020ACZB2	P7S2P4030ACZB2
AC 2 wire 20-250V N.O. or N.C. Changeable	P7S2P4020AAZB4	P7S2P4030AAZB4
AC/DC 2 wire 20-250V N.O.		
AC/DC 2 wire 20-250V N.C.		
AC/DC 2 wire 20-250V N.O. or N.C. Changeable		
Dimensions (unit: mm)		
Cable 2M (PVC)		
Weight	Approx.295 g	Approx.295 g