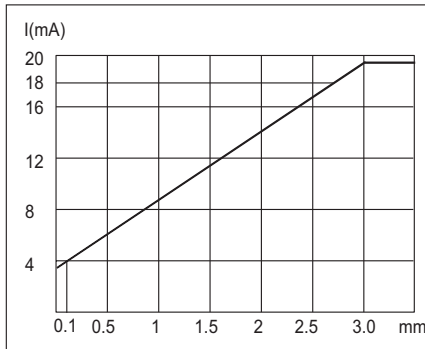


ANALOG INDUCTIVE CURRENT OUTPUT ANALOG SENSORS

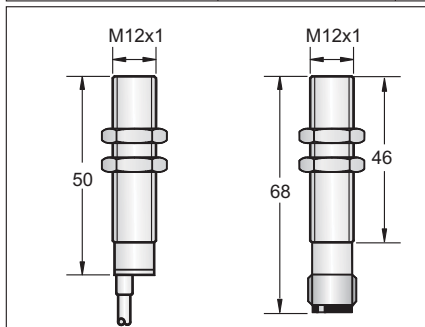
| |
|---------------------|
| M12 |
| ● |
| 0.1-3.0mm |
| Nickel plated brass |
| ○ |



| |
|---|
| 18-30VDC |
| <10% |
| <35mA |
| - |
| 4-20mA/400Ω Max. |
| <5% |
| 0.02mm |
| -25 °C - +70 °C |
| <5%(Sr) |
| - |
| YES |
| IP67 |
| PNP-ANALOG |
| 100Hz |
| - |
| RFI>3V/m / EFT>1KV / ESD>4KV (contact) |
| IEC 60947-5-2,Part 7.4.1 / IEC 60947-5-2,Part 7.4.2 |
| PBT |



| | | | |
|----------------|----|----------------|----|
| P5C1B1203GI3A2 | 19 | P5C1B1203GIEA4 | 40 |
|----------------|----|----------------|----|

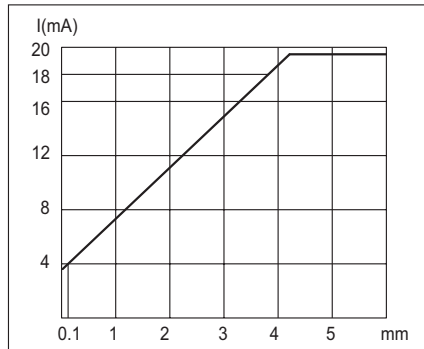


| | |
|------------|------------|
| 4φ3x0.15 | - |
| approx.67g | approx.30g |

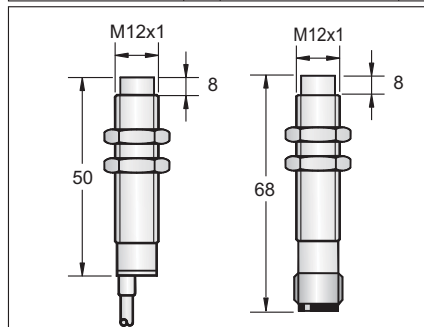
| |
|---------------------|
| M12 |
| ● |
| 0.1-4 mm |
| Nickel plated brass |
| ○ |



| |
|---|
| 18-30VDC |
| <10% |
| <35mA |
| - |
| 4-20mA/400Ω Max. |
| <5% |
| 0.02mm |
| -25 °C ~ +70 °C |
| <5%(Sr) |
| - |
| YES |
| IP67 |
| PNP-ANALOG |
| 100Hz |
| - |
| RFI>3V/m / EFT>1KV / ESD>4KV (contact) |
| IEC 60947-5-2,Part 7.4.1 / IEC 60947-5-2,Part 7.4.2 |
| PBT |

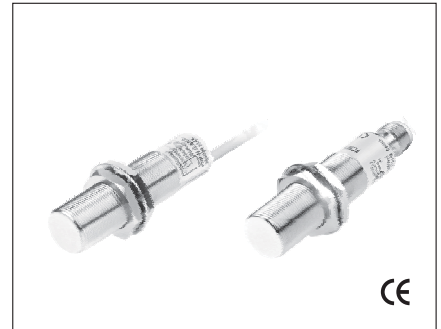


| | | | |
|----------------|----|----------------|----|
| P5C2B1204GI3A2 | 19 | P5C2B1204GIEA4 | 40 |
|----------------|----|----------------|----|

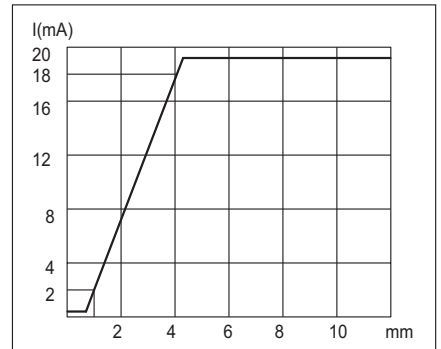


| | |
|------------|------------|
| 4φ3x0.15 | - |
| approx.67g | approx.30g |

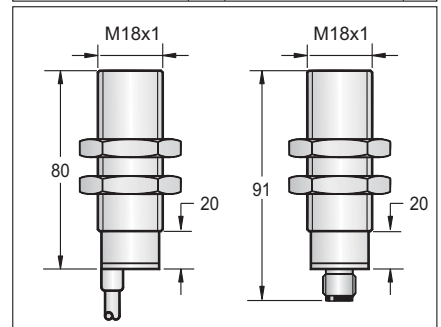
| |
|---------------------|
| M18 |
| ● |
| 1-4 mm |
| Nickel plated brass |
| ○ |



| |
|---|
| 18-30VDC |
| <10% |
| 15mA |
| - |
| 0-20mA/200Ω Max. |
| <10%(Sr) |
| 0.02mm |
| -25 °C ~ +70 °C |
| 5%(Sr) |
| - |
| YES |
| IP67 |
| PNP-ANALOG |
| 100Hz |
| - |
| RFI>3V/m / EFT>1KV / ESD>4KV (contact) |
| IEC 60947-5-2,Part 7.4.1 / IEC 60947-5-2,Part 7.4.2 |
| PBT |



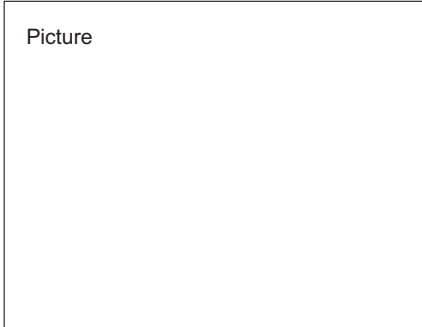
| | | | |
|----------------|----|----------------|----|
| P5C1B1804GI3A2 | 19 | P5C1B1804GIEA4 | 40 |
|----------------|----|----------------|----|



| | |
|-------------|------------|
| 5.8φ3x0.5 | - |
| approx.142g | approx.69g |

ANALOG INDUCTIVE CURRENT OUTPUT ANALOG SENSORS

| |
|--------------------------------|
| Diameter |
| ● Shielded ○ Non-shielded |
| Switching Distance Sn: mm |
| Housing Material |
| ● With LED ○ Without LED |



| |
|--------------------------------|
| Supply Voltage |
| Max. Ripple |
| No Load Current |
| Output Voltage/Load Resistor |
| Output Current/Load Resistor |
| Linearity |
| Repeat Accuracy |
| Ambient Temperature |
| Temperature Drift |
| Short Circuit Protection |
| Reverse Polarity Protection |
| Protection Degree |
| Output Signal |
| Switch Frequency Max. |
| Time Delay Before Availability |
| EMC |
| Shock / Vibration |
| Material Active Face |

Characteristics

| |
|------------------------------------|
| Inductive Voltage Output |
| Inductive Current Output |
| Inductive Voltage & Current output |

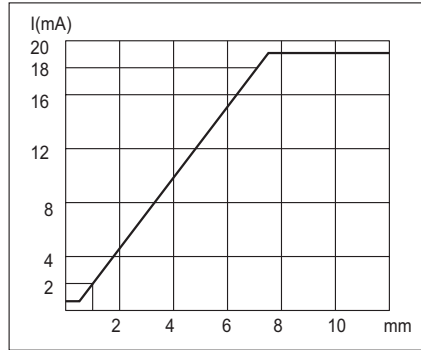
Dimensions (Unit: mm)

| |
|----------------|
| Cable 2M (PVC) |
| Weight |

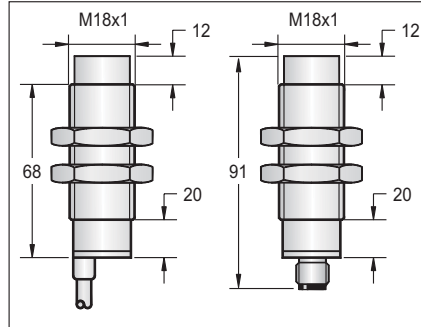
| |
|---------------------|
| M18 |
| ○ |
| 1-7 mm |
| Nickel plated brass |
| ○ |



| |
|---|
| 18-30VDC |
| <10% |
| 15mA |
| - |
| 0-20mA/200Ω Max. |
| <10%(Sr) |
| 0.02mm |
| -25°C ~ +70°C |
| 5%(Sr) |
| - |
| YES |
| IP67 |
| PNP-ANALOG |
| 100Hz |
| - |
| RFI>3V/m / EFT>1KV / ESD>4KV (contact) |
| IEC 60947-5-2,Part 7.4.1 / IEC 60947-5-2,Part 7.4.2 |
| PBT |



| | | | |
|----------------|----|----------------|----|
| P5C2B1807GI3A2 | 19 | P5C2B1807GIEA4 | 40 |
|----------------|----|----------------|----|

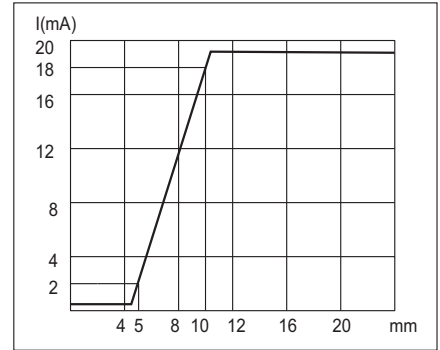


| | |
|-------------|------------|
| 5.8φ3x0.5 | - |
| approx.142g | approx.69g |

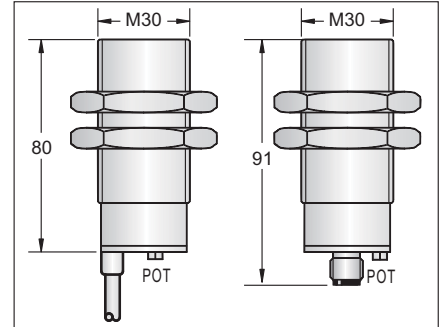
| |
|---------------------|
| M30 |
| ● |
| 5-10 mm |
| Nickel plated brass |
| ○ |



| |
|---|
| 18-30VDC |
| <10% |
| 15mA |
| - |
| 0-20mA/200Ω Max. |
| <10%(Sr) |
| 0.02mm |
| -25°C ~ +70°C |
| 5%(Sr) |
| - |
| YES |
| IP67 |
| PNP-ANALOG |
| 100Hz |
| - |
| RFI>3V/m / EFT>1KV / ESD>4KV (contact) |
| IEC 60947-5-2,Part 7.4.1 / IEC 60947-5-2,Part 7.4.2 |
| PBT |



| | | | |
|----------------|----|----------------|----|
| P5C1B3010GI3A2 | 19 | P5C1B3010GIEA4 | 40 |
|----------------|----|----------------|----|



| | |
|-------------|-------------|
| 5.8φ3x0.5 | - |
| approx.252g | approx.187g |