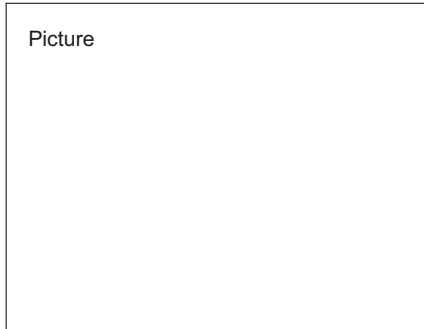


# ANALOG INDUCTIVE CURRENT OUTPUT ANALOG SENSORS

Diameter
● Shielded      ○ Non-shielded
Switching Distance Sn: mm
Housing Material
● With LED      ○ Without LED



Supply Voltage
Max. Ripple
No Load Current
Output Voltage/Load Resistor
Output Current/Load Resistor
Linearity
Repeat Accuracy
Ambient Temperature
Temperature Drift
Short Circuit Protection
Reverse Polarity Protection
Protection Degree
Output Signal
Switch Frequency Max.
Time Delay Before Availability
EMC
Shock / Vibration
Material Active Face

Characteristics

Inductive Voltage Output
Inductive Current Output
Inductive Voltage & Current output

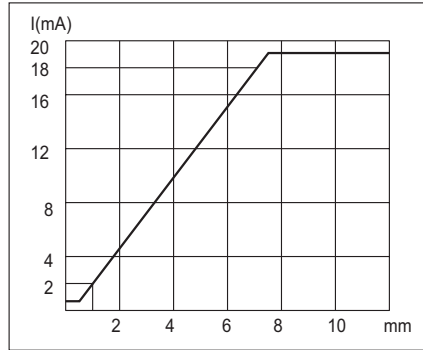
Dimensions (Unit: mm)

Cable 2M (PVC)
Weight

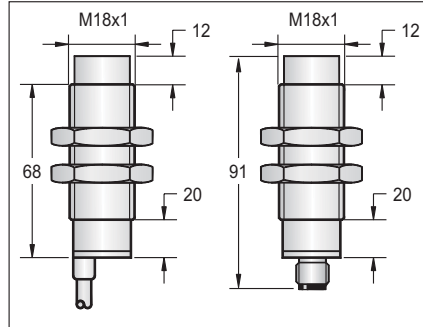
M18
○
1-7 mm
Nickel plated brass
○



18-30VDC
<10%
15mA
-
0-20mA/200Ω Max.
<10%(Sr)
0.02mm
-25°C ~ +70°C
5%(Sr)
-
YES
IP67
PNP-ANALOG
100Hz
-
RFI>3V/m / EFT>1KV / ESD>4KV (contact)
IEC 60947-5-2,Part 7.4.1 / IEC 60947-5-2,Part 7.4.2
PBT



P5C2B1807GI3A2	19	P5C2B1807GIEA4	40
----------------	----	----------------	----

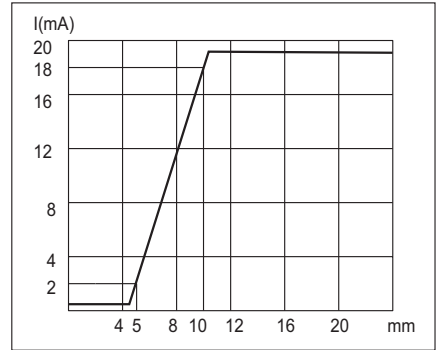


5.8φ3x0.5	-
approx.142g	approx.69g

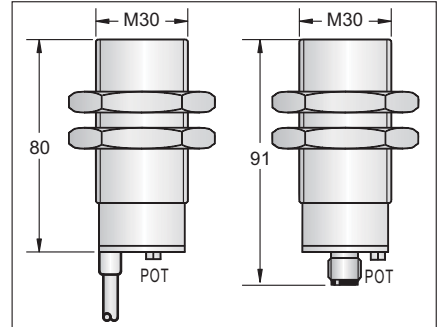
M30
●
5-10 mm
Nickel plated brass
○



18-30VDC
<10%
15mA
-
0-20mA/200Ω Max.
<10%(Sr)
0.02mm
-25°C ~ +70°C
5%(Sr)
-
YES
IP67
PNP-ANALOG
100Hz
-
RFI>3V/m / EFT>1KV / ESD>4KV (contact)
IEC 60947-5-2,Part 7.4.1 / IEC 60947-5-2,Part 7.4.2
PBT



P5C1B3010GI3A2	19	P5C1B3010GIEA4	40
----------------	----	----------------	----



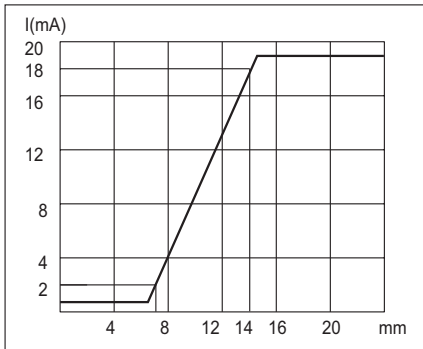
5.8φ3x0.5	-
approx.252g	approx.187g

# ANALOG INDUCTIVE CURRENT OUTPUT ANALOG SENSORS

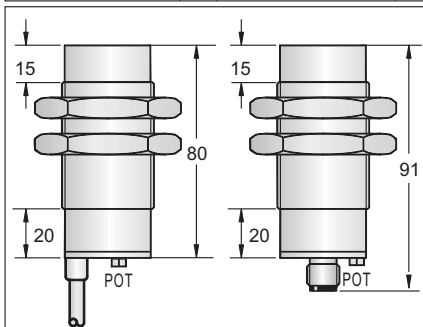
M 30
○
7-14 mm
Nickel plated brass
○



18-30VDC
<10%
15mA
-
0-20mA/200 Ω Max.
<10%(Sr)
0.02mm
-25°C ~ +70°C
5%(Sr)
-
YES
IP67
PNP-ANALOG
100Hz
-
RFI>3V/m / EFT>1KV / ESD>4KV (contact)
IEC 60947-5-2,Part 7.4.1 / IEC 60947-5-2,Part 7.4.2
PBT



P5C2B3014GI3A2	19	P5C2B3014GIEA4	40
----------------	----	----------------	----

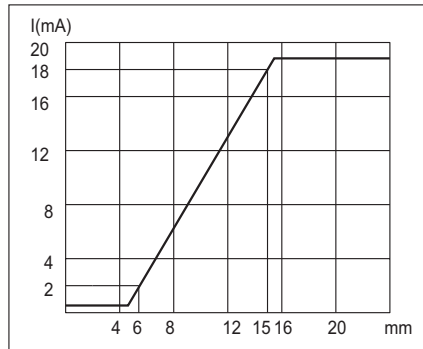


5.8φ 3x0.5	-
approx.252g	approx.187g

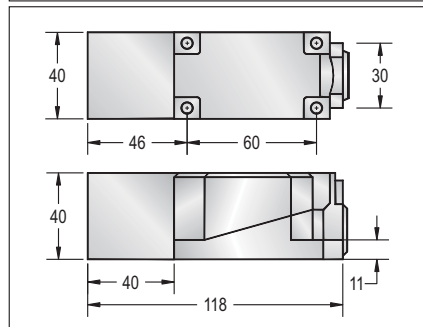
Q40
●
6-15mm
PBT
○



18-30VDC
<10%
15mA
-
0-20mA/200 Ω Max.
<10%(Sr)
0.02mm
-25°C ~ +70°C
5%(Sr)
-
YES
IP67
PNP-ANALOG
100Hz
-
RFI>3V/m / EFT>1KV / ESD>4KV (contact)
IEC 60947-5-2,Part 7.4.1 / IEC 60947-5-2,Part 7.4.2
PBT



P5S1P4015GI3A	19
---------------	----

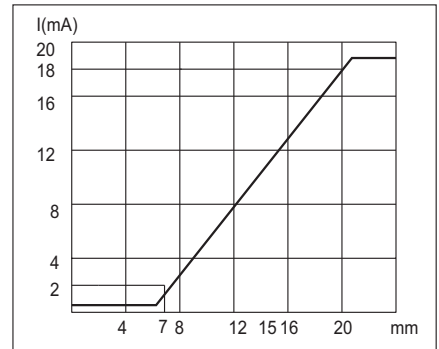


Approx.242 g
--------------

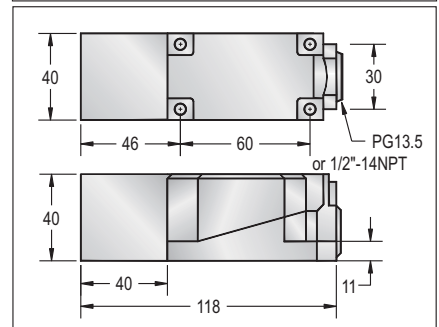
Q40
○
7-20mm
PBT
○



18-30VDC
<10%
15mA
-
0-20mA/200 Ω Max.
<10%(Sr)
0.02mm
-25°C ~ +70°C
5%(Sr)
-
YES
IP67
PNP-ANALOG
100Hz
-
RFI>3V/m / EFT>1KV / ESD>4KV (contact)
IEC 60947-5-2,Part 7.4.1 / IEC 60947-5-2,Part 7.4.2
PBT



P5S2P4020GI3A	19
---------------	----



Approx.242 g
--------------