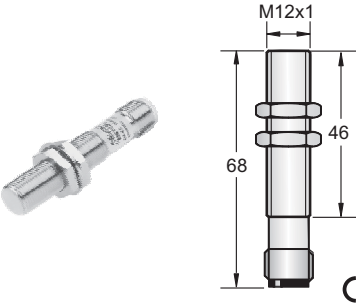
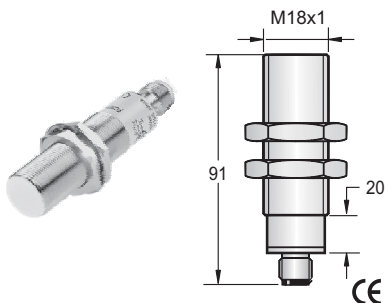
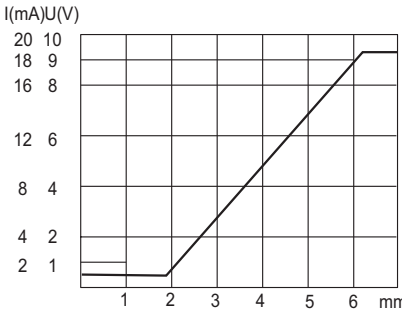
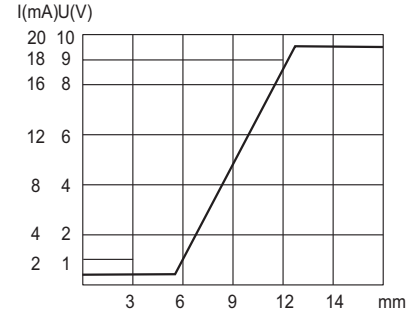
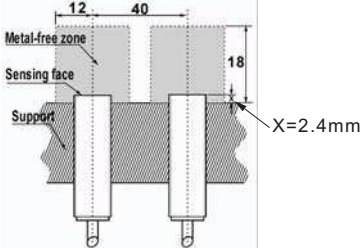
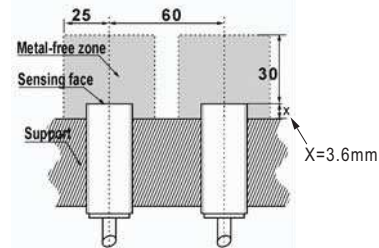
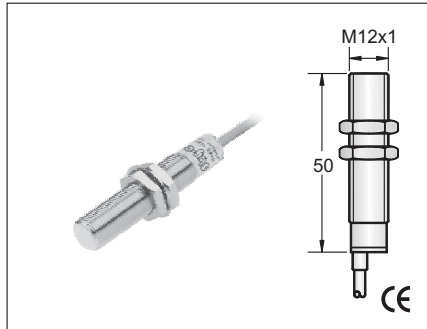


# DC LONG SENSING DISTANCE INDUCTIVE ANALOG SENSORS

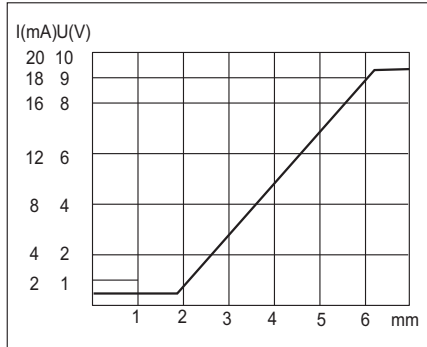
Diameter	M 12	M 18
● Shielded      ○ Non-shielded	●	●
Switching Distance Sn: mm	2-6mm	6-12 mm
Housing Material	Nickel plated brass	Nickel plated brass
● With LED      ○ Without LED	○	○
Picture		
Supply Voltage	18-30VDC	18-30VDC
Max. Ripple	<10%	<10%
No Load Current	15mA	15mA
Output Voltage/Load Resistor	0-10VDC/≥4.7KΩ	0-10VDC/≥4.7KΩ
Output Current/Load Resistor	0-20mA/200Ω	0-20mA/200Ω
Linearity	<10%(Sr)	<10%(Sr)
Repeat Accuracy	0.02mm	0.02mm
Ambient Temperature	-25°C ~ +70°C	-25°C ~ +70°C
Temperature Drift	<5%(Sr)	<5%(Sr)
Short Circuit Protection	NO	NO
Reverse Polarity Protection	YES	YES
Protection Degree	IP67	IP67
Output Signal	PNP-ANALOG	PNP-ANALOG
Switch Frequency Max.	100Hz	100Hz
Time Delay Before Availability	-	-
EMC	RFI>3V/m / EFT>1KV / ESD>4KV (contact)	RFI>3V/m / EFT>1KV / ESD>4KV (contact)
Shock / Vibration	IEC 60947-5-2,Part 7.4.1 / IEC 60947-5-2,Part 7.4.2	IEC 60947-5-2,Part 7.4.1 / IEC 60947-5-2,Part 7.4.2
Material Active Face	PBT	PBT
Characteristics		
Inductive Voltage Output	<b>P5C1B1206GVEA4</b> 39	<b>P5C1B1812GVEA4</b> 39
Inductive Current Output	<b>P5C1B1206GIEA4</b> 40	<b>P5C1B1812GIEA4</b> 40
Inductive Voltage & Current output	<b>P5C1B1206GMEA4</b> 41	<b>P5C1B1812GMEA4</b> 41
Mounting		
Sensor target steel(FE37x1mm)	18x18X1mm	36x36X1mm
Weight	Approx.30g	Approx.169g

# DC LONG SENSING DISTANCE INDUCTIVE ANALOG SENSORS

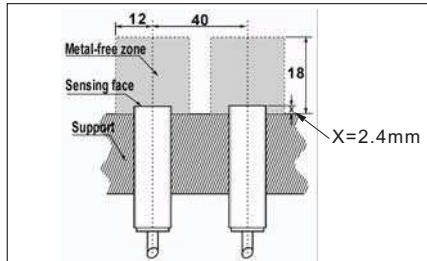
M 12
●
2-6mm
Nickel plated brass
○



18-30VDC
<10%
15mA
0-10VDC/ $\geq 4.7K\Omega$
0-20mA/200 $\Omega$
<10%(Sr)
0.02mm
-25°C ~ +70°C
<5%(Sr)
NO
YES
IP67
PNP-ANALOG
100Hz
-
RFI>3V/m / EFT>1KV / ESD>4KV (contact)
IEC 60947-5-2,Part 7.4.1 / IEC 60947-5-2,Part 7.4.2
PBT



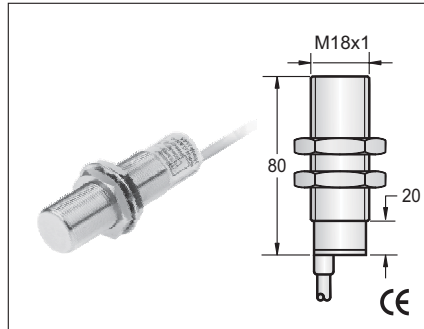
P5C1B1206GV3A2	39
P5C1B1206GI3A2	40
P5C1B1206GM4A2	41



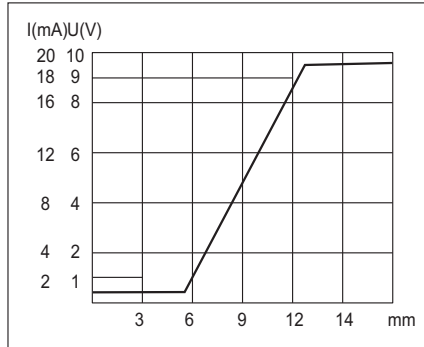
18x18X1mm
-----------

4 $\phi$ 3x0.15 or 4 $\phi$ 4x0.15
approx.67g

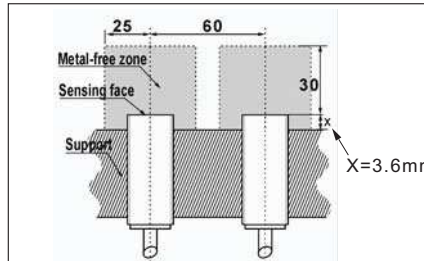
M 18
●
6-12 mm
Nickel plated brass
○



18-30VDC
<10%
15mA
0-10VDC/ $\geq 4.7K\Omega$
0-20mA/200 $\Omega$
<10%(Sr)
0.02mm
-25°C ~ +70°C
<5%(Sr)
NO
YES
IP67
PNP-ANALOG
100Hz
-
RFI>3V/m / EFT>1KV / ESD>4KV (contact)
IEC 60947-5-2,Part 7.4.1 / IEC 60947-5-2,Part 7.4.2
PBT



P5C1B1812GV3A2	39
P5C1B1812GI3A2	40
P5C1B1812GM4A2	41



36x36X1mm
-----------

5.8 $\phi$ 3x0.5 or 5.8 $\phi$ 4x0.5
approx.142g