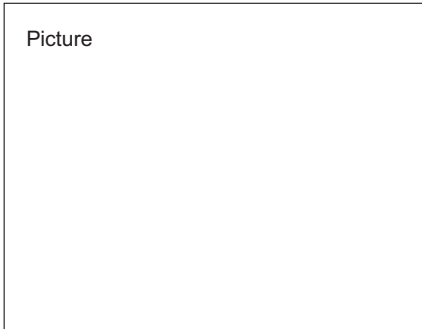


ANALOG INDUCTIVE VOLTAGE OUTPUT ANALOG SENSORS

Diameter
● Shielded ○ Non-shielded
Switching Distance Sn: mm
Housing Material
● With LED ○ Without LED



Supply Voltage
Max. Ripple
No Load Current
Output Voltage/Load Resistor
Output Current/Load Resistor
Linearity
Repeat Accuracy
Ambient Temperature
Temperature Drift
Short Circuit Protection
Reverse Polarity Protection
Protection Degree
Output Signal
Switch Frequency Max.
Time Delay Before Availability
EMC
Shock / Vibration
Material Active Face

Characteristics

Inductive Voltage Output	
Inductive Current Output	
Inductive Voltage & Current output	

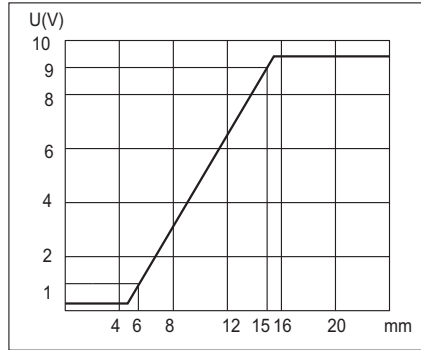
Dimensions (Unit: mm)

Cable 2M (PVC)
Weight

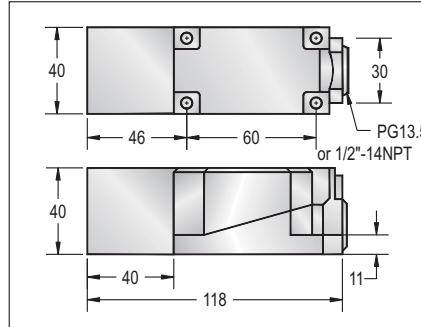
Q40
●
6-15mm
PBT
○



18-30VDC
<10%
15mA
0-10VDC / ≥4.7KΩ
-
<10%(Sr)
0.02mm
-25°C ~ +70°C
5%(Sr)
-
YES
IP67
PNP-ANALOG
100Hz
-
RFI>3V/m / EFT>1KV / ESD>4KV (contact)
IEC 60947-5-2,Part 7.4.1 / IEC 60947-5-2,Part 7.4.2
PBT



P5S1P4015GV3A	20
----------------------	-----------

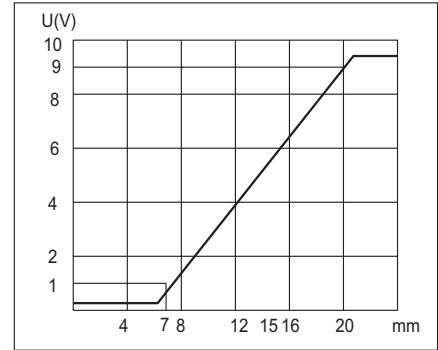


Approx.262 g

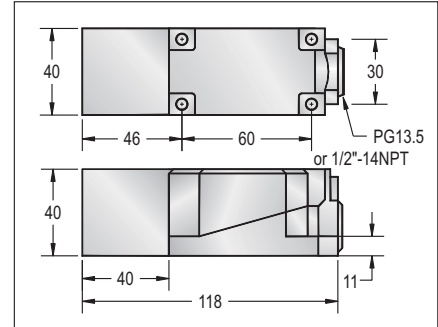
Q40
○
7-20mm
PBT
○



18-30VDC
<10%
15mA
0-10VDC / ≥4.7KΩ
-
<10%(Sr)
0.02mm
-25°C ~ +70°C
5%(Sr)
-
YES
IP67
PNP-ANALOG
100Hz
-
RFI>3V/m / EFT>1KV / ESD>4KV (contact)
IEC 60947-5-2,Part 7.4.1 / IEC 60947-5-2,Part 7.4.2
PBT



P5S2P4020GV3A	20
----------------------	-----------



Approx.262 g

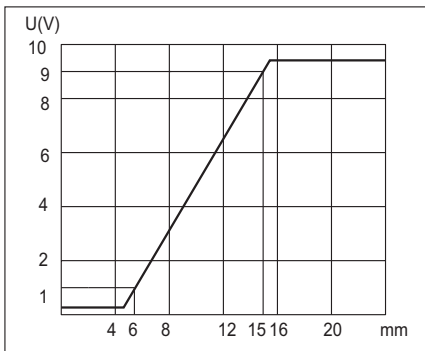
ANALOG INDUCTIVE VOLTAGE OUTPUT ANALOG SENSORS

Q40
●
6-15mm
PBT
○

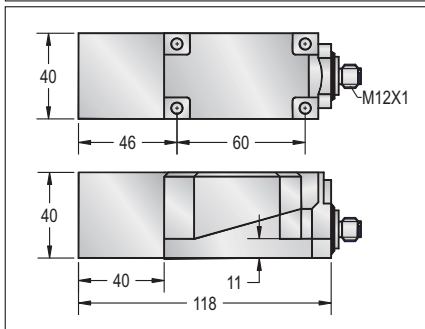


CE

18-30VDC
<10%
15mA
0-10VDC / $\geq 4.7K\Omega$
-
<10%(Sr)
0.02mm
-25°C ~ +70°C
5%(Sr)
-
YES
IP67
PNP-ANALOG
100Hz
-
RFI>3V/m / EFT>1KV / ESD>4KV (contact)
IEC 60947-5-2,Part 7.4.1 / IEC 60947-5-2,Part 7.4.2
PBT



P5S1P4015GVEA4	39
-----------------------	-----------



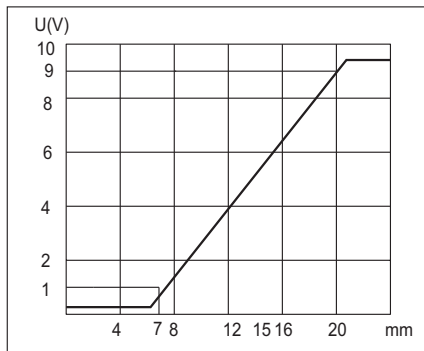
Approx.290 g

Q40
○
7-20mm
PBT
○

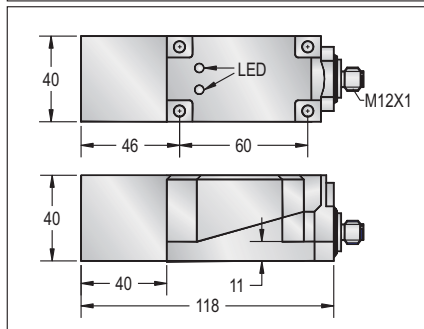


CE

18-30VDC
<10%
15mA
0-10VDC / $\geq 4.7K\Omega$
-
<10%(Sr)
0.02mm
-25°C ~ +70°C
5%(Sr)
-
YES
IP67
PNP-ANALOG
100Hz
-
RFI>3V/m / EFT>1KV / ESD>4KV (contact)
IEC 60947-5-2,Part 7.4.1 / IEC 60947-5-2,Part 7.4.2
PBT



P5S2P4020GVEA4	39
-----------------------	-----------



Approx.290 g