



# DC MINI-SHORTER INDUCTIVE PROXIMITY SENSORS

Diameter
● Shielded    ○ Non-shielded
Switching Distance Sn: mm
Housing Material
● With LED    ○ Without LED

Picture
---------

Operating Voltage
Ripple
No Load Current
Max. Load Current
Leakage Current
Voltage Drop
Switching Frequency
Response Time
Switching Hysteresis
Repeat Accuracy
Protection Category
Operating Temperature
Temperature Drift
Short Circuit Protection
Overload Trip Point
Material Active Face

DC 3 wire 10-30V NPN N.O.
DC 3 wire 10-30V NPN N.C.
DC 3 wire 10-30V PNP N.O.
DC 3 wire 10-30V PNP N.C.
DC 4 wire 10-30V Changeover PNP (N.O. & N.C.)
DC 4 wire 10-30V Changeover NPN (N.O. & N.C.)
DC 2 wire 10-60V N.O.
DC 2 wire 10-60V N.C.
DC 3 wire 10-55V NPN N.O.
DC 3 wire 10-55V NPN N.C.
DC 3 wire 10-55V PNP N.O.
DC 3 wire 10-55V PNP N.C.
DC 3 wire 5-36V NPN N.O.
DC 3 wire 5-36V NPN N.C.
DC 3 wire 5-36V PNP N.O.
DC 3 wire 5-36V PNP N.C.
DC 4 wire 5-36V Changeover PNP (N.O. & N.C.)
DC 4 wire 5-36V Changeover NPN (N.O. & N.C.)

Dimensions (unit: mm)
-----------------------

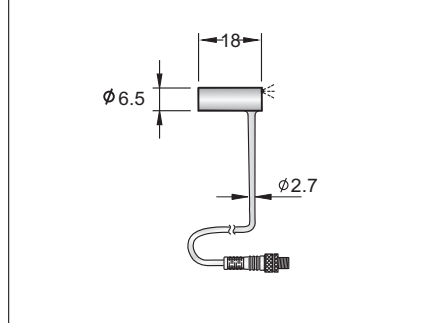
Cable 2M (PVC)
Weight

φ6.5Y
●
1mm
Stainless steel
●



10-30VDC
<10%
<10mA
200mA
<0.01mA
<1.5V
2KHZ
0.1ms/0.1ms
<15%(Sr)
<1.0%(Sr)
IP67
-25 °C - +70 °C
<10%(Sr)
YES
220mA
POM

P1D1S6.501NOTR3Y	25
P1D1S6.501NCTR3Y	25
P1D1S6.501POTR3Y	26
P1D1S6.501PCTR3Y	26



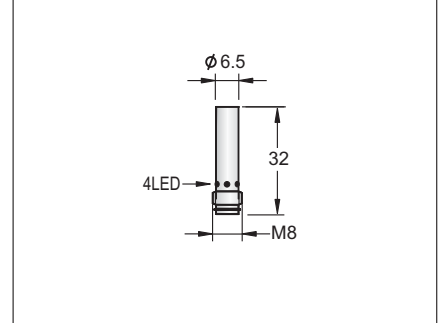
Cable 0.3m PUR with m8x1 connect
Approx.25 g

φ6.5
●
1mm
Stainless steel
●



10-30VDC
<10%
<10mA
200mA
<0.01mA
<1.5V
2KHZ
0.1ms/0.1ms
<15%(Sr)
<1.0%(Sr)
IP67
-25 °C - +70 °C
<10%(Sr)
YES
220mA
POM

P1D1S6.501NOPR3	25
P1D1S6.501NCPR3	25
P1D1S6.501POPR3	26
P1D1S6.501PCPR3	26



Approx.5.1 g
--------------



# DC MINI-SHORTER INDUCTIVE PROXIMITY SENSORS

Diameter
● Shielded    ○ Non-shielded
Switching Distance Sn: mm
Housing Material
● With LED    ○ Without LED



Operating Voltage	10-30VDC
Ripple	<10%
No Load Current	<10mA
Max. Load Current	200mA
Leakage Current	<0.01mA
Voltage Drop	<1.5V
Switching Frequency	2KHZ
Response Time	0.1ms/0.1ms
Switching Hysteresis	<15%(Sr)
Repeat Accuracy	<1.0%(Sr)
Protection Category	IP67
Operating Temperature	-25 °C - +70 °C
Temperature Drift	<10%(Sr)
Short Circuit Protection	YES
Overload Trip Point	220mA
Material Active Face	POM

DC 3 wire 10-30V NPN N.O.	P1D1S6.502NOTR3Y	25
DC 3 wire 10-30V NPN N.C.	P1D1S6.502NCTR3Y	25
DC 3 wire 10-30V PNP N.O.	P1D1S6.502POTR3Y	26
DC 3 wire 10-30V PNP N.C.	P1D1S6.502PCTR3Y	26
DC 4 wire 10-30V Changeover PNP (N.O. & N.C.)		
DC 4 wire 10-30V Changeover NPN (N.O. & N.C.)		
DC 2 wire 10-60V N.O.		
DC 2 wire 10-60V N.C.		
DC 3 wire 10-55V NPN N.O.		
DC 3 wire 10-55V NPN N.C.		
DC 3 wire 10-55V PNP N.O.		
DC 3 wire 10-55V PNP N.C.		
DC 3 wire 5-36V NPN N.O.		
DC 3 wire 5-36V NPN N.C.		
DC 3 wire 5-36V PNP N.O.		
DC 3 wire 5-36V PNP N.C.		
DC 4 wire 5-36V Changeover PNP (N.O & N.C.)		
DC 4 wire 5-36V Changeover NPN (N.O & N.C.)		

Dimensions (unit: mm)
-----------------------

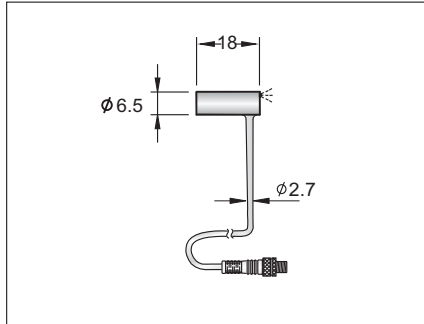
Cable 2M (PVC)
Weight

φ6.5Y
●
2mm
Stainless steel
●



Operating Voltage	10-30VDC
Ripple	<10%
No Load Current	<10mA
Max. Load Current	200mA
Leakage Current	<0.01mA
Voltage Drop	<1.5V
Switching Frequency	2KHZ
Response Time	0.1ms/0.1ms
Switching Hysteresis	<15%(Sr)
Repeat Accuracy	<1.0%(Sr)
Protection Category	IP67
Operating Temperature	-25 °C - +70 °C
Temperature Drift	<10%(Sr)
Short Circuit Protection	YES
Overload Trip Point	220mA
Material Active Face	POM

DC 3 wire 10-30V NPN N.O.	P1D1S6.502NOTR3Y	25
DC 3 wire 10-30V NPN N.C.	P1D1S6.502NCTR3Y	25
DC 3 wire 10-30V PNP N.O.	P1D1S6.502POTR3Y	26
DC 3 wire 10-30V PNP N.C.	P1D1S6.502PCTR3Y	26
DC 4 wire 10-30V Changeover PNP (N.O. & N.C.)		
DC 4 wire 10-30V Changeover NPN (N.O. & N.C.)		
DC 2 wire 10-60V N.O.		
DC 2 wire 10-60V N.C.		
DC 3 wire 10-55V NPN N.O.		
DC 3 wire 10-55V NPN N.C.		
DC 3 wire 10-55V PNP N.O.		
DC 3 wire 10-55V PNP N.C.		
DC 3 wire 5-36V NPN N.O.		
DC 3 wire 5-36V NPN N.C.		
DC 3 wire 5-36V PNP N.O.		
DC 3 wire 5-36V PNP N.C.		
DC 4 wire 5-36V Changeover PNP (N.O & N.C.)		
DC 4 wire 5-36V Changeover NPN (N.O & N.C.)		



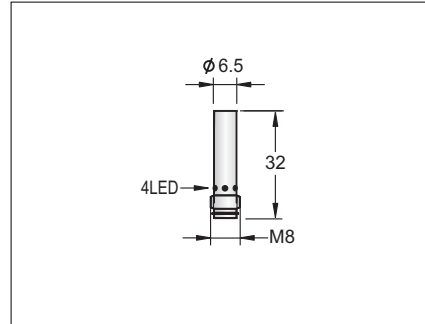
Cable 0.3m PUR with m8x1 connect
Approx. 15 g

φ6.5
●
2mm
Stainless steel
●



Operating Voltage	10-30VDC
Ripple	<10%
No Load Current	<10mA
Max. Load Current	200mA
Leakage Current	<0.01mA
Voltage Drop	<1.5V
Switching Frequency	2KHZ
Response Time	0.1ms/0.1ms
Switching Hysteresis	<15%(Sr)
Repeat Accuracy	<1.0%(Sr)
Protection Category	IP67
Operating Temperature	-25 °C - +70 °C
Temperature Drift	<10%(Sr)
Short Circuit Protection	YES
Overload Trip Point	220mA
Material Active Face	POM

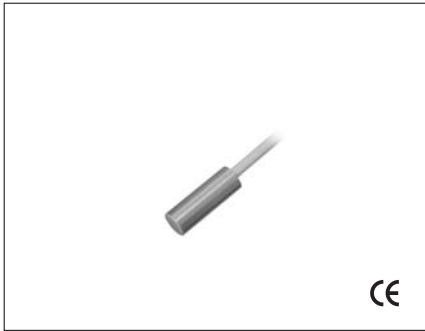
DC 3 wire 10-30V NPN N.O.	P1D1S6.502NOPR3	25
DC 3 wire 10-30V NPN N.C.	P1D1S6.502NCPR3	25
DC 3 wire 10-30V PNP N.O.	P1D1S6.502POPR3	26
DC 3 wire 10-30V PNP N.C.	P1D1S6.502PCPR3	26
DC 4 wire 10-30V Changeover PNP (N.O. & N.C.)		
DC 4 wire 10-30V Changeover NPN (N.O. & N.C.)		
DC 2 wire 10-60V N.O.		
DC 2 wire 10-60V N.C.		
DC 3 wire 10-55V NPN N.O.		
DC 3 wire 10-55V NPN N.C.		
DC 3 wire 10-55V PNP N.O.		
DC 3 wire 10-55V PNP N.C.		
DC 3 wire 5-36V NPN N.O.		
DC 3 wire 5-36V NPN N.C.		
DC 3 wire 5-36V PNP N.O.		
DC 3 wire 5-36V PNP N.C.		
DC 4 wire 5-36V Changeover PNP (N.O & N.C.)		
DC 4 wire 5-36V Changeover NPN (N.O & N.C.)		



Approx. 4.0 g
---------------

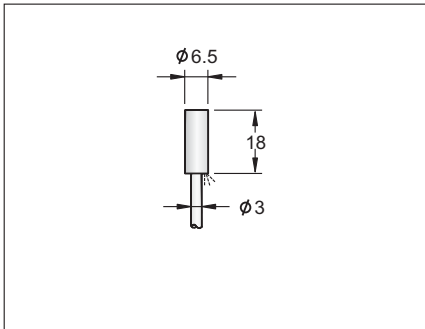
# DC MINI-SHORTER INDUCTIVE PROXIMITY SENSORS

φ6.5
●
3mm
Stainless steel
●



10-30VDC
<10%
<10mA
200mA
<0.01mA
<1.5V
1KHZ
0.2ms/0.2ms
<15%(Sr)
<1.0%(Sr)
IP67
-25 °C - +70 °C
<10%(Sr)
YES
220mA
POM

P1D1S6.503NO3R2	1
P1D1S6.503NC3R2	2
P1D1S6.503PO3R2	3
P1D1S6.503PC3R2	4



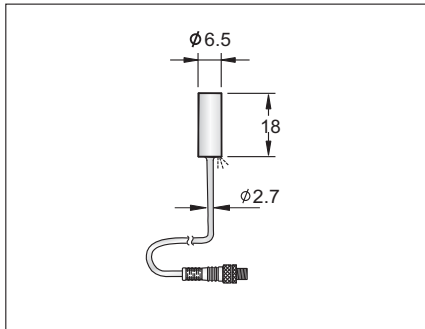
3φ 3x0.15
Approx.25 g

φ6.5
●
3mm
Stainless steel
●



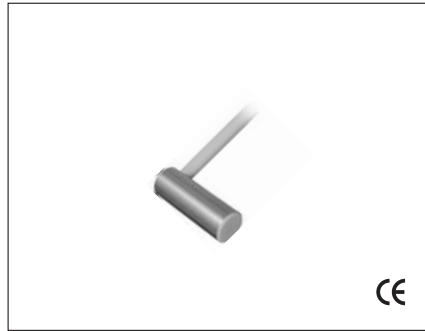
10-30VDC
<10%
<10mA
200mA
<0.01mA
<1.5V
1KHZ
0.2ms/0.2ms
<15%(Sr)
<1.0%(Sr)
IP67
-25 °C - +70 °C
<10%(Sr)
YES
220mA
POM

P1D1S6.503NOTR3	25
P1D1S6.503NCTR3	25
P1D1S6.503POTR3	26
P1D1S6.503PCTR3	26



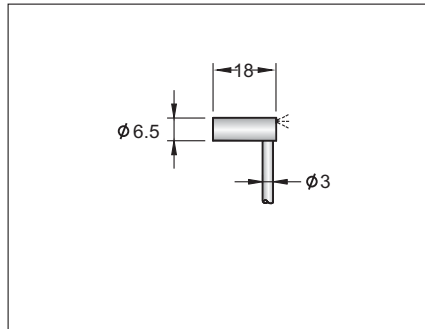
Cable 0.3m PUR with m8x1 connect
Approx.15 g

φ6.5Y
●
3mm
Stainless steel
●



10-30VDC
<10%
<10mA
200mA
<0.01mA
<1.5V
1KHZ
0.2ms/0.2ms
<15%(Sr)
<1.0%(Sr)
IP67
-25 °C - +70 °C
<10%(Sr)
YES
220mA
POM

P1D1S6.503NO3R2Y	1
P1D1S6.503NC3R2Y	2
P1D1S6.503PO3R2Y	3
P1D1S6.503PC3R2Y	4



3φ 3x0.15
Approx.25 g

