

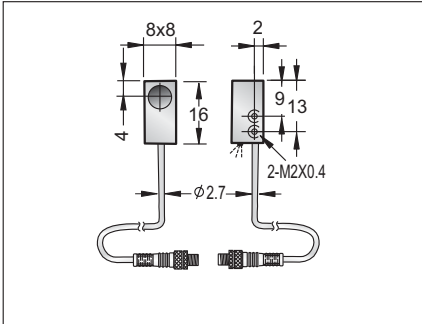
DC MINI-SHORTER INDUCTIVE PROXIMITY SENSORS

Q8
●
3mm
Nickel plated brass
●



10-30VDC
<10%
<10mA
200mA
<0.01mA
<2.0V
1KHZ
0.2ms/0.2ms
<15%(Sr)
<1.0%(Sr)
IP67
-25 °C - +70 °C
<10%(Sr)
YES
220mA
POM

P1S1B8803NOTR3	25
P1S1B8803NCTR3	25
P1S1B8803POTR3	26
P1S1B8803PCTR3	26



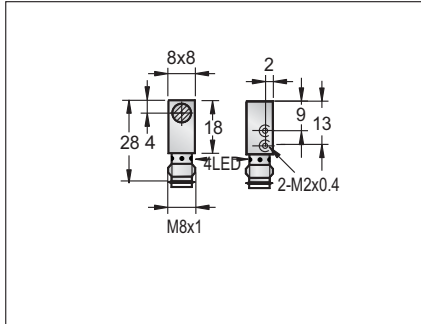
Cable 0.3m PUR with m8x1 connect
Approx.15 g

Q8
●
3mm
Nickel plated brass
●



10-30VDC
<10%
<10mA
200mA
<0.01mA
<2.0V
1KHZ
0.2ms/0.2ms
<15%(Sr)
<1.0%(Sr)
IP67
-25 °C - +70 °C
<10%(Sr)
YES
220mA
POM

P1S1B8803NOPR3	25
P1S1B8803NCPR3	25
P1S1B8803POPR3	26
P1S1B8803PCPR3	26



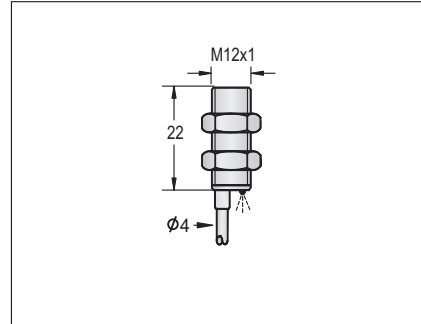
-
Approx.6.0 g

M12
●
2mm
Nickel plated brass
●



10-30VDC
<10%
<10mA
200mA
<0.01mA
<2.0V
2KHZ
0.1ms/0.1ms
<15%(Sr)
<1.0%(Sr)
IP67
-25 °C - +70 °C
<10%(Sr)
YES
220mA
POM

P1C1B1202NO3R2	1
P1C1B1202NC3R2	2
P1C1B1202PO3R2	3
P1C1B1202PC3R2	4



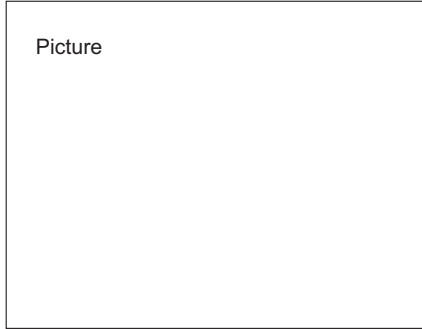
4ø 3x0.15
Approx.40 g

DC MINI-SHORTER INDUCTIVE PROXIMITY SENSORS

Diameter
● Shielded ○ Non-shielded
Switching Distance Sn: mm
Housing Material
● With LED ○ Without LED

M12
●
2mm
Nickel plated brass
●

M12
●
4mm
Nickel plated brass
●

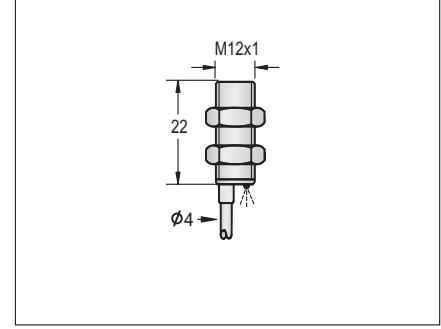
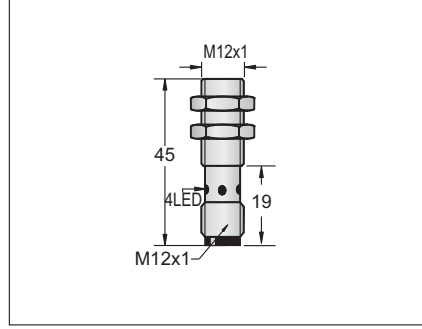


Operating Voltage	10-30VDC	
Ripple	<10%	
No Load Current	<10mA	
Max. Load Current	200mA	
Leakage Current	<0.01mA	
Voltage Drop	<1.5V	
Switching Frequency	2KHZ	
Response Time	0.1ms/0.1ms	
Switching Hysteresis	<15%(Sr)	
Repeat Accuracy	<1.0%(Sr)	
Protection Category	IP67	
Operating Temperature	-25 °C - +70 °C	
Temperature Drift	<10%(Sr)	
Short Circuit Protection	YES	
Overload Trip Point	220mA	
Material Active Face	POM	
DC 3 wire 10-30V NPN N.O.	P1C1B1202NOER4	31
DC 3 wire 10-30V NPN N.C.	P1C1B1202NCER4	32
DC 3 wire 10-30V PNP N.O.	P1C1B1202POER4	33
DC 3 wire 10-30V PNP N.C.	P1C1B1202PCER4	34
DC 4 wire 10-30V Changeover PNP (N.O. & N.C.)		
DC 4 wire 10-30V Changeover NPN (N.O. & N.C.)		
DC 2 wire 10-60V N.O.		
DC 2 wire 10-60V N.C.		
DC 3 wire 10-55V NPN N.O.		
DC 3 wire 10-55V NPN N.C.		
DC 3 wire 10-55V PNP N.O.		
DC 3 wire 10-55V PNP N.C.		
DC 3 wire 5-36V NPN N.O.		
DC 3 wire 5-36V NPN N.C.		
DC 3 wire 5-36V PNP N.O.		
DC 3 wire 5-36V PNP N.C.		
DC 4 wire 5-36V Changeover PNP (N.O. & N.C.)		
DC 4 wire 5-36V Changeover NPN (N.O. & N.C.)		

Operating Voltage	10-30VDC	
Ripple	<10%	
No Load Current	<10mA	
Max. Load Current	200mA	
Leakage Current	<0.01mA	
Voltage Drop	<1.5V	
Switching Frequency	2KHZ	
Response Time	0.1ms/0.1ms	
Switching Hysteresis	<15%(Sr)	
Repeat Accuracy	<1.0%(Sr)	
Protection Category	IP67	
Operating Temperature	-25 °C - +70 °C	
Temperature Drift	<10%(Sr)	
Short Circuit Protection	YES	
Overload Trip Point	220mA	
Material Active Face	POM	
DC 3 wire 10-30V NPN N.O.	P1C1B1204NO3R2	1
DC 3 wire 10-30V NPN N.C.	P1C1B1204NC3R2	2
DC 3 wire 10-30V PNP N.O.	P1C1B1204PO3R2	3
DC 3 wire 10-30V PNP N.C.	P1C1B1204PC3R2	4
DC 4 wire 10-30V Changeover PNP (N.O. & N.C.)		
DC 4 wire 10-30V Changeover NPN (N.O. & N.C.)		
DC 2 wire 10-60V N.O.		
DC 2 wire 10-60V N.C.		
DC 3 wire 10-55V NPN N.O.		
DC 3 wire 10-55V NPN N.C.		
DC 3 wire 10-55V PNP N.O.		
DC 3 wire 10-55V PNP N.C.		
DC 3 wire 5-36V NPN N.O.		
DC 3 wire 5-36V NPN N.C.		
DC 3 wire 5-36V PNP N.O.		
DC 3 wire 5-36V PNP N.C.		
DC 4 wire 5-36V Changeover PNP (N.O. & N.C.)		
DC 4 wire 5-36V Changeover NPN (N.O. & N.C.)		

Operating Voltage	10-30VDC	
Ripple	<10%	
No Load Current	<10mA	
Max. Load Current	200mA	
Leakage Current	<0.01mA	
Voltage Drop	<2.0V	
Switching Frequency	1KHZ	
Response Time	0.2ms/0.2ms	
Switching Hysteresis	<15%(Sr)	
Repeat Accuracy	<1.0%(Sr)	
Protection Category	IP67	
Operating Temperature	-25 °C - +70 °C	
Temperature Drift	<10%(Sr)	
Short Circuit Protection	YES	
Overload Trip Point	220mA	
Material Active Face	POM	
DC 3 wire 10-30V NPN N.O.	P1C1B1204NO3R2	1
DC 3 wire 10-30V NPN N.C.	P1C1B1204NC3R2	2
DC 3 wire 10-30V PNP N.O.	P1C1B1204PO3R2	3
DC 3 wire 10-30V PNP N.C.	P1C1B1204PC3R2	4
DC 4 wire 10-30V Changeover PNP (N.O. & N.C.)		
DC 4 wire 10-30V Changeover NPN (N.O. & N.C.)		
DC 2 wire 10-60V N.O.		
DC 2 wire 10-60V N.C.		
DC 3 wire 10-55V NPN N.O.		
DC 3 wire 10-55V NPN N.C.		
DC 3 wire 10-55V PNP N.O.		
DC 3 wire 10-55V PNP N.C.		
DC 3 wire 5-36V NPN N.O.		
DC 3 wire 5-36V NPN N.C.		
DC 3 wire 5-36V PNP N.O.		
DC 3 wire 5-36V PNP N.C.		
DC 4 wire 5-36V Changeover PNP (N.O. & N.C.)		
DC 4 wire 5-36V Changeover NPN (N.O. & N.C.)		

Dimensions (unit: mm)



Cable 2M (PVC)	-
Weight	Approx.25 g

Cable 2M (PVC)	-
Weight	Approx.25 g

Cable 2M (PVC)	4ø 3x0.15
Weight	Approx.40 g

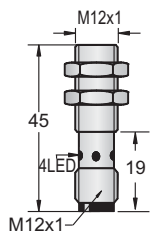
DC MINI-SHORTER INDUCTIVE PROXIMITY SENSORS

M12
●
4mm
Nickel plated brass
●



10-30VDC
<10%
<10mA
200mA
<0.01mA
<2.0V
1KHZ
0.2ms/0.2ms
<15%(Sr)
<1.0%(Sr)
IP67
-25 °C - +70 °C
<10%(Sr)
YES
220mA
POM

P1C1B1204NOER4	31
P1C1B1204NCER4	32
P1C1B1204POER4	33
P1C1B1204PCER4	34



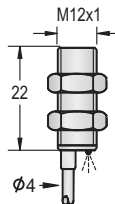
-
Approx.25 g

M12
●
6mm
Nickel plated brass
●



10-30VDC
<10%
<10mA
200mA
<0.01mA
<2.0V
800HZ
0.2ms/0.2ms
<15%(Sr)
<1.0%(Sr)
IP67
-25 °C - +70 °C
<10%(Sr)
YES
220mA
POM

P1C1B1206N03R2	1
P1C1B1206NC3R2	2
P1C1B1206P03R2	3
P1C1B1206PC3R2	4



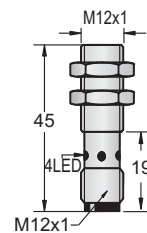
4φ 3x0.15
Approx.40 g

M12
●
6mm
Nickel plated brass
●



10-30VDC
<10%
<10mA
200mA
<0.01mA
<2.0V
800HZ
0.2ms/0.2ms
<15%(Sr)
<1.0%(Sr)
IP67
-25 °C - +70 °C
<10%(Sr)
YES
220mA
POM

P1C1B1206NOER4	31
P1C1B1206NCER4	32
P1C1B1206POER4	33
P1C1B1206PCER4	34



-
Approx.25 g