

DC MINI-SHORTER INDUCTIVE PROXIMITY SENSORS

Diameter
● Shielded ○ Non-shielded
Switching Distance Sn: mm
Housing Material
● With LED ○ Without LED

M8
●
2mm
Stainless steel
●

M8
●
2mm
Stainless steel
●

Picture



Operating Voltage
Ripple
No Load Current
Max. Load Current
Leakage Current
Voltage Drop
Switching Frequency
Response Time
Switching Hysteresis
Repeat Accuracy
Protection Category
Operating Temperature
Temperature Drift
Short Circuit Protection
Overload Trip Point
Material Active Face

10-30VDC
<10%
<10mA
200mA
<0.01mA
<2.0V
2KHZ
0.1ms/0.1ms
<15%(Sr)
<1.0%(Sr)
IP67
-25 °C - +70 °C
<10%(Sr)
YES
220mA
POM

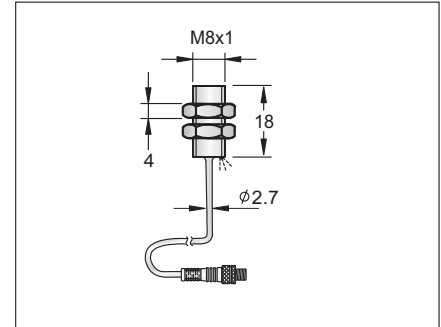
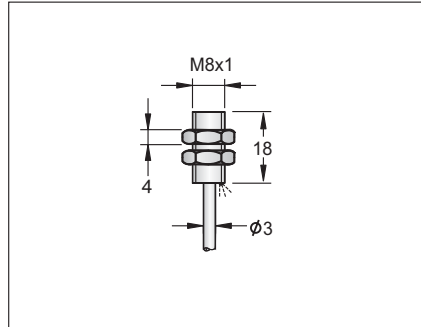
10-30VDC
<10%
<10mA
200mA
<0.01mA
<2.0V
2KHZ
0.1ms/0.1ms
<15%(Sr)
<1.0%(Sr)
IP67
-25 °C - +70 °C
<10%(Sr)
YES
220mA
POM

DC 3 wire 10-30V NPN N.O.
DC 3 wire 10-30V NPN N.C.
DC 3 wire 10-30V PNP N.O.
DC 3 wire 10-30V PNP N.C.
DC 4 wire 10-30V Changeover PNP (N.O. & N.C.)
DC 4 wire 10-30V Changeover NPN (N.O. & N.C.)
DC 2 wire 10-60V N.O.
DC 2 wire 10-60V N.C.
DC 3 wire 10-55V NPN N.O.
DC 3 wire 10-55V NPN N.C.
DC 3 wire 10-55V PNP N.O.
DC 3 wire 10-55V PNP N.C.
DC 3 wire 5-36V NPN N.O.
DC 3 wire 5-36V NPN N.C.
DC 3 wire 5-36V PNP N.O.
DC 3 wire 5-36V PNP N.C.
DC 4 wire 5-36V Changeover PNP (N.O. & N.C.)
DC 4 wire 5-36V Changeover NPN (N.O. & N.C.)

P1C1S0802N03R2	1
P1C1S0802NC3R2	2
P1C1S0802PO3R2	3
P1C1S0802PC3R2	4

P1C1S0802NOTR3	25
P1C1S0802NCTR3	25
P1C1S0802POTR3	26
P1C1S0802PCTR3	26

Dimensions (unit: mm)



Cable 2M (PVC)
Weight

3φ 3x0.15
Approx.35 g

Cable 0.3m PUR with m8x1 connect
Approx.25 g

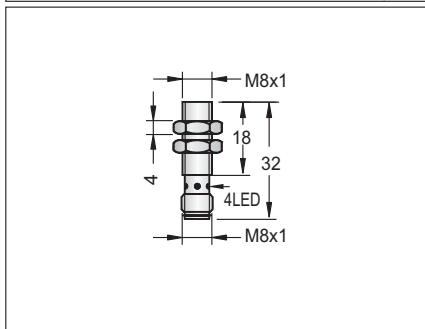
DC MINI-SHORTER INDUCTIVE PROXIMITY SENSORS

M8
●
2mm
Stainless steel
●



10-30VDC
<10%
<10mA
200mA
<0.01mA
<2.0V
2KHZ
0.1ms/0.1ms
<15%(Sr)
<1.0%(Sr)
IP67
-25 °C - +70 °C
<10%(Sr)
YES
220mA
POM

P1C1S0802NOPR3	25
P1C1S0802NCPR3	25
P1C1S0802POPR3	26
P1C1S0802PCPR3	26



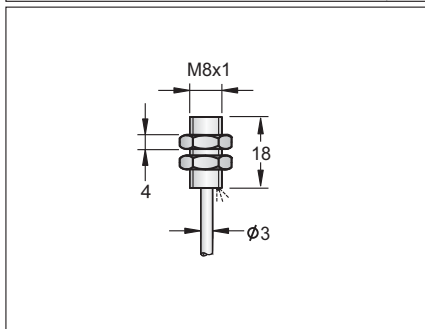
Approx.15 g

M8
●
3mm
Stainless steel
●



10-30VDC
<10%
<10mA
200mA
<0.01mA
<2.0V
1KHZ
0.2ms/0.2ms
<15%(Sr)
<1.0%(Sr)
IP67
-25 °C - +70 °C
<10%(Sr)
YES
220mA
POM

P1C1S0803NO3R2	1
P1C1S0803NC3R2	2
P1C1S0803PO3R2	3
P1C1S0803PC3R2	4



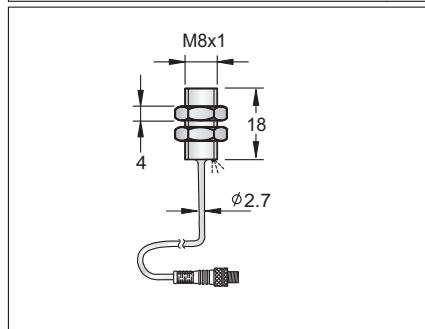
3ø 3x0.15
Approx.35 g

M8
●
3mm
Stainless steel
●





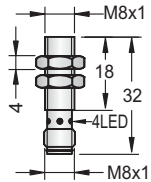
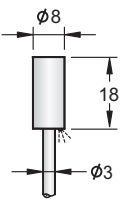
10-30VDC
<10%
<10mA
200mA
<0.01mA
<2.0V
1KHZ
0.2ms/0.2ms
<15%(Sr)
<1.0%(Sr)
IP67
-25 °C - +70 °C
<10%(Sr)
YES
220mA
POM

P1C1S0803NOTR3	25
P1C1S0803NCTR3	25
P1C1S0803POTR3	26
P1C1S0803PCTR3	26



Cable 0.3m PUR with m8x1 connect
Approx.25 g

DC MINI-SHORTER INDUCTIVE PROXIMITY SENSORS

Diameter	M8	φ8
● Shielded ○ Non-shielded	●	●
Switching Distance Sn: mm	3mm	1mm
Housing Material	Stainless steel	Stainless steel
● With LED ○ Without LED	●	●
Picture	 CE	 CE
Operating Voltage	10-30VDC	10-30VDC
Ripple	<10%	<10%
No Load Current	<10mA	<10mA
Max. Load Current	200mA	200mA
Leakage Current	<0.01mA	<0.01mA
Voltage Drop	<2.0V	<1.5V
Switching Frequency	1KHZ	2KHZ
Response Time	0.2ms/0.2ms	0.1ms/0.1ms
Switching Hysteresis	<15%(Sr)	<15%(Sr)
Repeat Accuracy	<1.0%(Sr)	<1.0%(Sr)
Protection Category	IP67	IP67
Operating Temperature	-25 °C - +70 °C	-25 °C - +70 °C
Temperature Drift	<10%(Sr)	<10%(Sr)
Short Circuit Protection	YES	YES
Overload Trip Point	220mA	220mA
Material Active Face	POM	POM
DC 3 wire 10-30V NPN N.O.	P1C1S0803NOPR3	P1D1S0801NO3R2
DC 3 wire 10-30V NPN N.C.	P1C1S0803NCPR3	P1D1S0801NC3R2
DC 3 wire 10-30V PNP N.O.	P1C1S0803POPR3	P1D1S0801PO3R2
DC 3 wire 10-30V PNP N.C.	P1C1S0803PCPR3	P1D1S0801PC3R2
DC 4 wire 10-30V Changeover PNP (N.O. & N.C.)		
DC 4 wire 10-30V Changeover NPN (N.O. & N.C.)		
DC 2 wire 10-60V N.O.		
DC 2 wire 10-60V N.C.		
DC 3 wire 10-55V NPN N.O.		
DC 3 wire 10-55V NPN N.C.		
DC 3 wire 10-55V PNP N.O.		
DC 3 wire 10-55V PNP N.C.		
DC 3 wire 5-36V NPN N.O.		
DC 3 wire 5-36V NPN N.C.		
DC 3 wire 5-36V PNP N.O.		
DC 3 wire 5-36V PNP N.C.		
DC 4 wire 5-36V Changeover PNP (N.O. & N.C.)		
DC 4 wire 5-36V Changeover NPN (N.O. & N.C.)		
Dimensions (unit: mm)		
Cable 2M (PVC)	-	3φ 3x0.15
Weight	Approx.15 g	Approx.25 g