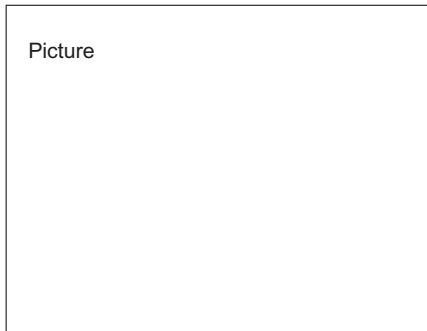


# DC INDUCTIVE PROXIMITY SENSORS

Diameter
● Shielded    ○ Non-shielded
Switching Distance Sn: mm
Housing Material
● With LED    ○ Without LED



Operating Voltage
Ripple
No Load Current
Max. Load Current
Leakage Current
Voltage Drop
Switching Frequency
Response Time
Switching Hysteresis
Repeat Accuracy
Protection Category
Operating Temperature
Temperature Drift
Short Circuit Protection
Overload Trip Point
Material Active Face

DC 3 wire 10-30V NPN N.O.
DC 3 wire 10-30V NPN N.C.
DC 3 wire 10-30V PNP N.O.
DC 3 wire 10-30V PNP N.C.
DC 4 wire 10-30V Changeover PNP (N.O. & N.C.)
DC 4 wire 10-30V Changeover NPN (N.O. & N.C.)
DC 2 wire 10-60V N.O. *
DC 2 wire 10-60V N.C. *
DC 3 wire 10-55V NPN N.O.
DC 3 wire 10-55V NPN N.C.
DC 3 wire 10-55V PNP N.O.
DC 3 wire 10-55V PNP N.C.
DC 3 wire 5-36V NPN N.O.
DC 3 wire 5-36V NPN N.C.
DC 3 wire 5-36V PNP N.O.
DC 3 wire 5-36V PNP N.C.
DC 4 wire 5-36V Changeover PNP (N.O. & N.C.)
DC 4 wire 5-36V Changeover NPN (N.O. & N.C.)

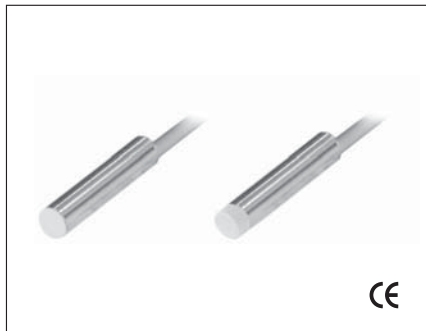
Dimensions (unit: mm)

\* : DC 2wire 10-60V specifications see page 3-05. Other is same.

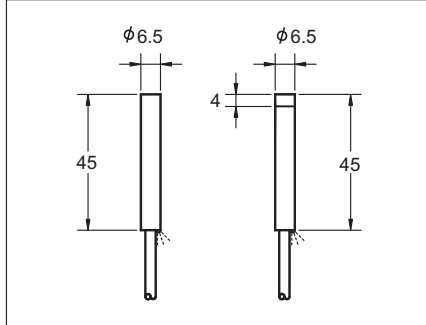
Cable 2M (PVC)
Weight

$\phi 6.5$	
●	○
1mm	2mm
Stainless steel	
●	



10-30VDC / 5-36VDC / 10-55V / 10-60VDC	
<10%	
<10mA	
200mA	
<0.01mA	
<1.5V	
2KHZ	
0.1ms/0.1ms	
<15%(Sr)	
<1.0%(Sr)	
IP67	
-25°C - +70°C	
<10%(Sr)	
YES	
220mA	
POM	

P1D1S6.501NO3A2	1	P1D2S6.502NO3A2
P1D1S6.501NC3A2	2	P1D2S6.502NC3A2
P1D1S6.501PO3A2	3	P1D2S6.502PO3A2
P1D1S6.501PC3A2	4	P1D2S6.502PC3A2
P1D1S6.501PS4A2	6	P1D2S6.502PS4A2
P1D1S6.501NS4A2	5	P1D2S6.502NS4A2
P4D1S6.501CO2A2	7	P4D2S6.502CO2A2
P4D1S6.501CC2A2	8	P4D2S6.502CC2A2
P3D1S6.501NO3A2	1	P3D2S6.502NO3A2
P3D1S6.501NC3A2	2	P3D2S6.502NC3A2
P3D1S6.501PO3A2	3	P3D2S6.502PO3A2
P3D1S6.501PC3A2	4	P3D2S6.502PC3A2
P2D1S6.501NO3A2	1	P2D2S6.502NO3A2
P2D1S6.501NC3A2	2	P2D2S6.502NC3A2
P2D1S6.501PO3A2	3	P2D2S6.502PO3A2
P2D1S6.501PC3A2	4	P2D2S6.502PC3A2
P2D1S6.501PS4A2	6	P2D2S6.502PS4A2
P2D1S6.501NS4A2	5	P2D2S6.502NS4A2



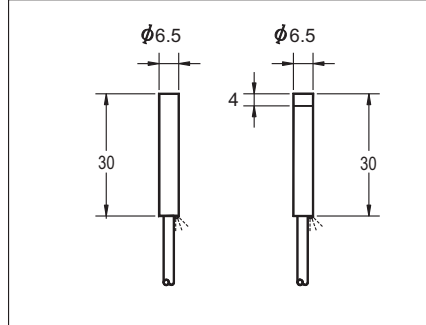
3φ 3x0.15 or 3φ 4x0.15	
Approx.36 g	

$\phi 6.5$	
●	○
1mm	2mm
Stainless steel	
●	



10-30VDC / 5-36VDC	
<10%	
<10mA	
200mA	
<0.01mA	
<1.5V	
2KHZ	
0.1ms/0.1ms	
<15%(Sr)	
<1.0%(Sr)	
IP67	
-25°C - +70°C	
<10%(Sr)	
YES	
220mA	
POM	

P1D1S6.501NO3S2	1	P1D2S6.502NO3S2
P1D1S6.501NC3S2	2	P1D2S6.502NC3S2
P1D1S6.501PO3S2	3	P1D2S6.502PO3S2
P1D1S6.501PC3S2	4	P1D2S6.502PC3S2
P2D1S6.501NO3S2	1	P2D2S6.502NO3S2
P2D1S6.501NC3S2	2	P2D2S6.502NC3S2
P2D1S6.501PO3S2	3	P2D2S6.502PO3S2
P2D1S6.501PC3S2	4	P2D2S6.502PC3S2



3 φ 3x0.15	
Approx.40 g	

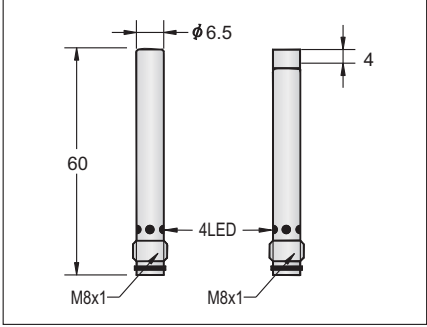
# DC INDUCTIVE PROXIMITY SENSORS

$\phi 6.5$	
●	○
1mm	2mm
Stainless steel	
●	



10-30VDC / 5-36VDC / 10-55V/ 10-60VDC
<10%
<10mA
200mA
<0.01mA
<1.5V
2KHZ
0.1ms/0.1ms
<15%(Sr)
<1.0%(Sr)
IP67
-25 °C - +70 °C
<10%(Sr)
YES
220mA
POM

P1D1S6.501NOPA3	25	P1D2S6.502NOPA3
P1D1S6.501NCPA3	25	P1D2S6.502NCPA3
P1D1S6.501POPA3	26	P1D2S6.502POPA3
P1D1S6.501PCPA3	26	P1D2S6.502PCPA3
P1D1S6.501PSPA4	28	P1D2S6.502PSPA4
P1D1S6.501NSPA4	27	P1D2S6.502NSPA4
P4D1S6.501COPA3	29	P4D2S6.502COPA3
P4D1S6.501CCPA3	30	P4D2S6.502CCPA3
P3D1S6.501NOPA3	25	P3D2S6.502NOPA3
P3D1S6.501NCPA3	25	P3D2S6.502NCPA3
P3D1S6.501POPA3	26	P3D2S6.502POPA3
P3D1S6.501PCPA3	26	P3D2S6.502PCPA3
P2D1S6.501NOPA3	25	P2D2S6.502NOPA3
P2D1S6.501NCPA3	25	P2D2S6.502NCPA3
P2D1S6.501POPA3	26	P2D2S6.502POPA3
P2D1S6.501PCPA3	26	P2D2S6.502PCPA3
P2D1S6.501PSPA4	28	P2D2S6.502PSPA4
P2D1S6.501NSPA4	27	P2D2S6.502NSPA4



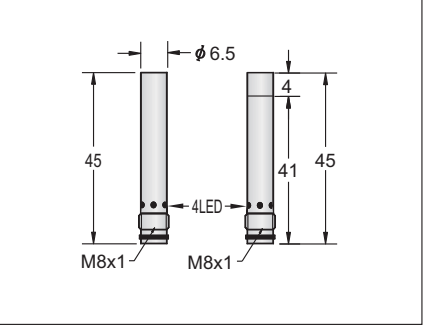
Approx.17 g	Approx.16 g
-------------	-------------

$\phi 6.5$	
●	○
1 mm	2 mm
Stainless steel	
●	



10-30VDC / 5-36VDC
<10%
<10mA
200mA
<0.01mA
<1.5V
2KHZ
0.1ms/0.1ms
<15%(Sr)
<1.0%(Sr)
IP67
-25 °C - +70 °C
<10%(Sr)
YES
220mA
POM

P1D1S6.501NOPS3	25	P1D2S6.502NOPS3
P1D1S6.501NCP3S	25	P1D2S6.502NCP3S
P1D1S6.501POPS3	26	P1D2S6.502POPS3
P1D1S6.501PCPS3	26	P1D2S6.502PCPS3
P2D1S6.501NOPS3	25	P2D2S6.502NOPS3
P2D1S6.501NCP3S	25	P2D2S6.502NCP3S
P2D1S6.501POPS3	26	P2D2S6.502POPS3
P2D1S6.501PCPS3	26	P2D2S6.502PCPS3



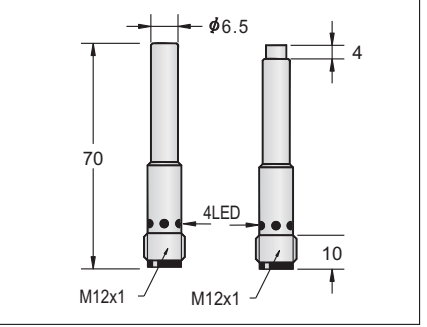
Approx.14 g
-------------

$\phi 6.5$	
●	○
1mm	2mm
Stainless steel	
●	



10-30VDC / 5-36VDC / 10-55V/ 10-60VDC
<10%
<10mA
200mA
<0.01mA
<1.5V
2KHZ
0.1ms/0.1ms
<15%(Sr)
<1.0%(Sr)
IP67
-25 °C - +70 °C
<10%(Sr)
YES
220mA
POM

P1D1S6.501NOEA4	31	P1D2S6.502NOEA4
P1D1S6.501NCEA4	32	P1D2S6.502NCEA4
P1D1S6.501POEA4	33	P1D2S6.502POEA4
P1D1S6.501PCEA4	34	P1D2S6.502PCEA4
P1D1S6.501PSEA4	36	P1D2S6.502PSEA4
P1D1S6.501NSEA4	35	P1D2S6.502NSEA4
P4D1S6.501COEA4	37	P4D2S6.502COEA4
P4D1S6.501CCEA4	38	P4D2S6.502CCEA4
P3D1S6.501NOEA4	31	P3D2S6.502NOEA4
P3D1S6.501NCEA4	32	P3D2S6.502NCEA4
P3D1S6.501POEA4	33	P3D2S6.502POEA4
P3D1S6.501PCEA4	34	P3D2S6.502PCEA4
P2D1S6.501NOEA4	31	P2D2S6.502NOEA4
P2D1S6.501NCEA4	32	P2D2S6.502NCEA4
P2D1S6.501POEA4	33	P2D2S6.502POEA4
P2D1S6.501PCEA4	34	P2D2S6.502PCEA4
P2D1S6.501PSEA4	36	P2D2S6.502PSEA4
P2D1S6.501NSEA4	35	P2D2S6.502NSEA4



approx.25 g
-------------



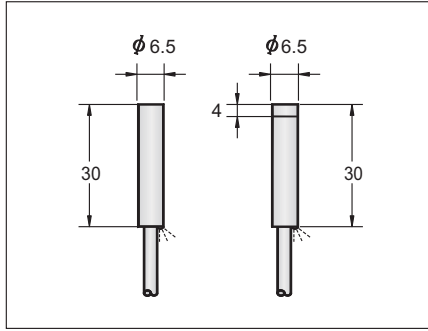
# DC INDUCTIVE PROXIMITY SENSORS

$\phi 6.5$	
●	○
2mm	4mm
Stainless steel or Nickel plated brass	
●	



10-30VDC	
<10%	
<10mA	
200mA	
<0.01mA	
<2.0V	
2KHZ	1KHZ
0.1ms/0.1ms	0.2ms/0.2ms
<15%(Sr)	
<1.0%(Sr)	
IP67	
-25 °C - +70 °C	
<10%(Sr)	
YES	
220mA	
POM	

P1D1S6.502NO3S2	1	P1D2S6.504NO3S2	
P1D1S6.502NC3S2	2	P1D2S6.504NC3S2	
P1D1S6.502PO3S2	3	P1D2S6.504PO3S2	
P1D1S6.502PC3S2	4	P1D2S6.504PC3S2	



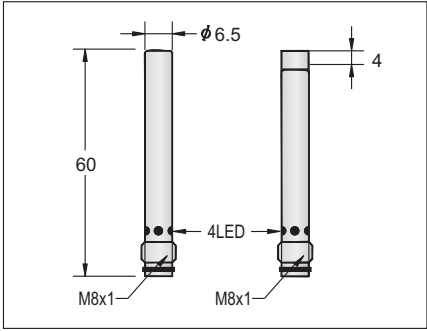
3 $\phi 3 \times 0.15$
Approx. 33 g

$\phi 6.5$	
●	○
2mm	4mm
Stainless steel or Nickel plated brass	
●	



10-30VDC	
<10%	
<10mA	
200mA	
<0.01mA	
<2.0V	
2KHZ	1KHZ
0.1ms/0.1ms	0.2ms/0.2ms
<15%(Sr)	
<1.0%(Sr)	
IP67	
-25 °C - +70 °C	
<10%(Sr)	
YES	
220mA	
POM	

P1D1S6.502NOPA3	25	P1D2S6.504NOPA3	
P1D1S6.502NCPA3	25	P1D2S6.504NCPA3	
P1D1S6.502POPA3	26	P1D2S6.504POPA3	
P1D1S6.502PCPA3	26	P1D2S6.504PCPA3	



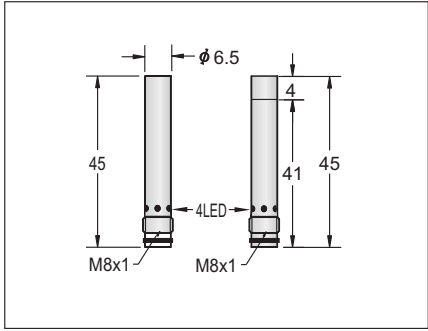
Approx. 17 g	Approx. 16 g
--------------	--------------

$\phi 6.5$	
●	○
2 mm	4 mm
Stainless steel or Nickel plated brass	
●	



10-30VDC	
<10%	
<10mA	
200mA	
<0.01mA	
<2.0V	
2KHZ	1KHZ
0.1ms/0.1ms	0.2ms/0.2ms
<15%(Sr)	
<1.0%(Sr)	
IP67	
-25 °C - +70 °C	
<10%(Sr)	
YES	
220mA	
POM	

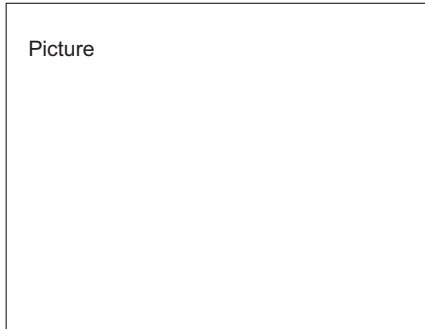
P1D1S6.502NOPS3	25	P1D2S6.504NOPS3	
P1D1S6.502NCPS3	25	P1D2S6.504NCPS3	
P1D1S6.502POPS3	26	P1D2S6.504POPS3	
P1D1S6.502PCPS3	26	P1D2S6.504PCPS3	



Approx. 15 g	Approx. 14 g
--------------	--------------

# DC INDUCTIVE PROXIMITY SENSORS

Diameter
● Shielded ○ Non-shielded
Switching Distance Sn: mm
Housing Material
● With LED ○ Without LED



Operating Voltage	10-30VDC
Ripple	<10%
No Load Current	<10mA
Max. Load Current	200mA
Leakage Current	<0.01mA
Voltage Drop	<1.5V
Switching Frequency	2KHZ 1KHZ
Response Time	0.1ms/0.1ms 0.2ms/0.2ms
Switching Hysteresis	<15%(Sr)
Repeat Accuracy	<1.0%(Sr)
Protection Category	IP67
Operating Temperature	-25°C - +70°C
Temperature Drift	<10%(Sr)
Short Circuit Protection	YES
Overload Trip Point	220mA
Material Active Face	POM
DC 3 wire 10-30V NPN N.O.	P1D1S6.502NOEA4 31 P1D2S6.504NOEA4
DC 3 wire 10-30V NPN N.C.	P1D1S6.502NCEA4 32 P1D2S6.504NCEA4
DC 3 wire 10-30V PNP N.O.	P1D1S6.502POEA4 33 P1D2S6.504POEA4
DC 3 wire 10-30V PNP N.C.	P1D1S6.502PCEA4 34 P1D2S6.504PCEA4
DC 4 wire 10-30V Changeover PNP (N.O. & N.C.)	
DC 4 wire 10-30V Changeover NPN (N.O. & N.C.)	
DC 2 wire 10-60V N.O.	
DC 2 wire 10-60V N.C.	
DC 3 wire 10-55V NPN N.O.	
DC 3 wire 10-55V NPN N.C.	
DC 3 wire 10-55V PNP N.O.	
DC 3 wire 10-55V PNP N.C.	
DC 3 wire 5-36V NPN N.O.	
DC 3 wire 5-36V NPN N.C.	
DC 3 wire 5-36V PNP N.O.	
DC 3 wire 5-36V PNP N.C.	
DC 4 wire 5-36V Changeover PNP (N.O & N.C.)	
DC 4 wire 5-36V Changeover NPN (N.O & N.C.)	

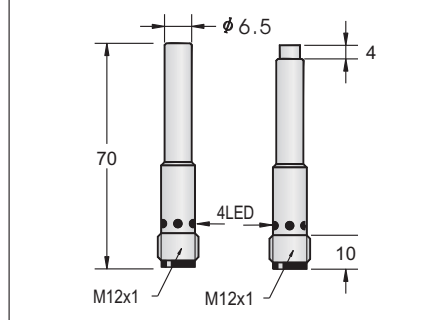
Dimensions (unit: mm)
-----------------------

Cable 2M (PVC)
Weight

$\phi 6.5$	
●	○
2mm	4mm
stainless steel or nickel plated brass	
●	



Operating Voltage	10-30VDC
Ripple	<10%
No Load Current	<10mA
Max. Load Current	200mA
Leakage Current	<0.01mA
Voltage Drop	<1.5V
Switching Frequency	2KHZ 1KHZ
Response Time	0.1ms/0.1ms 0.2ms/0.2ms
Switching Hysteresis	<15%(Sr)
Repeat Accuracy	<1.0%(Sr)
Protection Category	IP67
Operating Temperature	-25°C - +70°C
Temperature Drift	<10%(Sr)
Short Circuit Protection	YES
Overload Trip Point	220mA
Material Active Face	POM
DC 3 wire 10-30V NPN N.O.	P1D1S6.502NOEA4 31 P1D2S6.504NOEA4
DC 3 wire 10-30V NPN N.C.	P1D1S6.502NCEA4 32 P1D2S6.504NCEA4
DC 3 wire 10-30V PNP N.O.	P1D1S6.502POEA4 33 P1D2S6.504POEA4
DC 3 wire 10-30V PNP N.C.	P1D1S6.502PCEA4 34 P1D2S6.504PCEA4
DC 4 wire 10-30V Changeover PNP (N.O. & N.C.)	
DC 4 wire 10-30V Changeover NPN (N.O. & N.C.)	
DC 2 wire 10-60V N.O.	
DC 2 wire 10-60V N.C.	
DC 3 wire 10-55V NPN N.O.	
DC 3 wire 10-55V NPN N.C.	
DC 3 wire 10-55V PNP N.O.	
DC 3 wire 10-55V PNP N.C.	
DC 3 wire 5-36V NPN N.O.	
DC 3 wire 5-36V NPN N.C.	
DC 3 wire 5-36V PNP N.O.	
DC 3 wire 5-36V PNP N.C.	
DC 4 wire 5-36V Changeover PNP (N.O & N.C.)	
DC 4 wire 5-36V Changeover NPN (N.O & N.C.)	

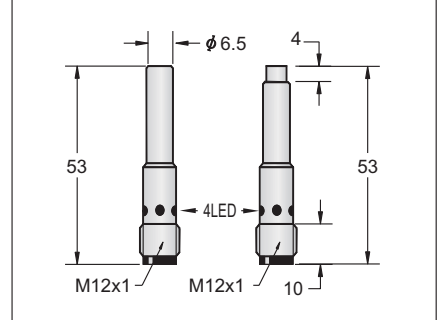


Weight	approx.25 g
--------	-------------

$\phi 6.5$	
●	○
2 mm	4 mm
stainless steel or nickel plated brass	
●	



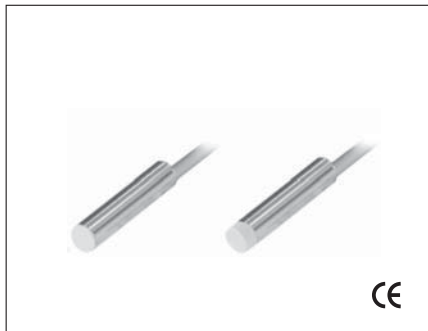
Operating Voltage	10-30VDC
Ripple	<10%
No Load Current	<10mA
Max. Load Current	200mA
Leakage Current	<0.01mA
Voltage Drop	<1.5V
Switching Frequency	2KHZ 1KHZ
Response Time	0.1ms/0.1ms 0.2ms/0.2ms
Switching Hysteresis	<15%(Sr)
Repeat Accuracy	<1.0%(Sr)
Protection Category	IP67
Operating Temperature	-25°C - +70 °C
Temperature Drift	<10%(Sr)
Short Circuit Protection	YES
Overload Trip Point	220mA
Material Active Face	POM
DC 3 wire 10-30V NPN N.O.	P1D1S6.502NOES4 31 P1D2S6.504NOES4
DC 3 wire 10-30V NPN N.C.	P1D1S6.502NCES4 32 P1D2S6.504NCES4
DC 3 wire 10-30V PNP N.O.	P1D1S6.502POES4 33 P1D2S6.504POES4
DC 3 wire 10-30V PNP N.C.	P1D1S6.502PCES4 34 P1D2S6.504PCES4
DC 4 wire 10-30V Changeover PNP (N.O. & N.C.)	
DC 4 wire 10-30V Changeover NPN (N.O. & N.C.)	
DC 2 wire 10-60V N.O.	
DC 2 wire 10-60V N.C.	
DC 3 wire 10-55V NPN N.O.	
DC 3 wire 10-55V NPN N.C.	
DC 3 wire 10-55V PNP N.O.	
DC 3 wire 10-55V PNP N.C.	
DC 3 wire 5-36V NPN N.O.	
DC 3 wire 5-36V NPN N.C.	
DC 3 wire 5-36V PNP N.O.	
DC 3 wire 5-36V PNP N.C.	
DC 4 wire 5-36V Changeover PNP (N.O & N.C.)	
DC 4 wire 5-36V Changeover NPN (N.O & N.C.)	



Weight	Approx.20 g
--------	-------------

# DC INDUCTIVE PROXIMITY SENSORS

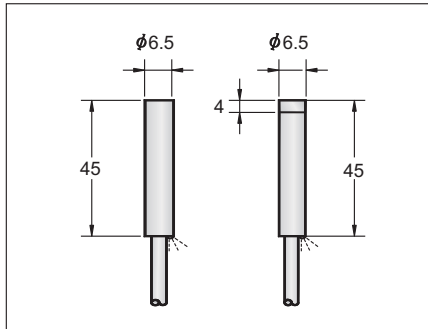
ϕ6.5	
●	○
3mm	6mm
Nickel plated brass	
●	



CE

10-30VDC	
<10%	
<10mA	
200mA	
<0.01mA	
<2.0V	
1KHZ	500HZ
0.2ms/0.2ms	0.5ms/0.5ms
<15%(Sr)	
<1.0%(Sr)	
IP67	
-25°C - +70°C	
<10%(Sr)	
YES	
220mA	
POM	

P1D1S6.503NO3A2	1	P1D2S6.506NO3A2
P1D1S6.503NC3A2	2	P1D2S6.506NC3A2
P1D1S6.503PO3A2	3	P1D2S6.506PO3A2
P1D1S6.503PC3A2	4	P1D2S6.506PC3A2



3ϕ 3x0.15
Approx.36 g

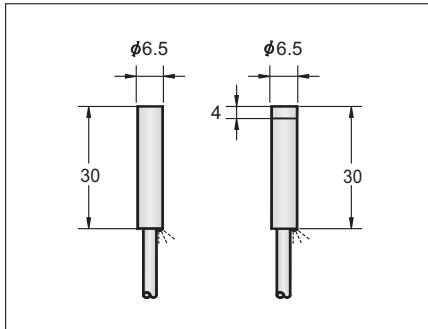
ϕ6.5	
●	○
3mm	6mm
Nickel plated brass	
●	



CE

10-30VDC	
<10%	
<10mA	
200mA	
<0.01mA	
<2.0V	
1KHZ	500HZ
0.2ms/0.2ms	0.5ms/0.5ms
<15%(Sr)	
<1.0%(Sr)	
IP67	
-25°C - +70°C	
<10%(Sr)	
YES	
220mA	
POM	

P1D1S6.503NO3S2	1	P1D2S6.506NO3S2
P1D1S6.503NC3S2	2	P1D2S6.506NC3S2
P1D1S6.503PO3S2	3	P1D2S6.506PO3S2
P1D1S6.503PC3S2	4	P1D2S6.506PC3S2



3 ϕ3x0.15
Approx.33 g

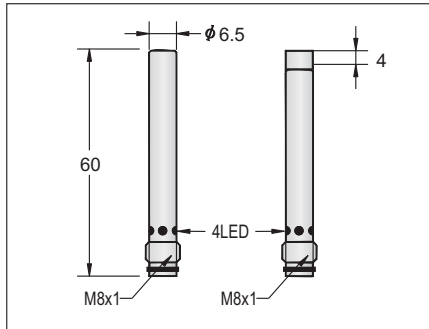
ϕ6.5	
●	○
3mm	6mm
Nickel plated brass	
●	



CE

10-30VDC	
<10%	
<10mA	
200mA	
<0.01mA	
<2.0V	
1KHZ	500HZ
0.2ms/0.2ms	0.5ms/0.5ms
<15%(Sr)	
<1.0%(Sr)	
IP67	
-25°C - +70°C	
<10%(Sr)	
YES	
220mA	
POM	

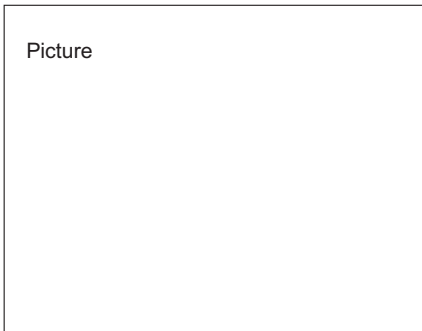
P1D1S6.503NOPA3	25	P1D2S6.506NOPA3
P1D1S6.503NCPA3	25	P1D2S6.506NCPA3
P1D1S6.503POPA3	26	P1D2S6.506POPA3
P1D1S6.503PCPA3	26	P1D2S6.506PCPA3



Approx.17 g	Approx.16 g
-------------	-------------

# DC INDUCTIVE PROXIMITY SENSORS

Diameter
● Shielded    ○ Non-shielded
Switching Distance Sn: mm
Housing Material
● With LED    ○ Without LED



Operating Voltage	10-30VDC
Ripple	<10%
No Load Current	<10mA
Max. Load Current	200mA
Leakage Current	<0.01mA
Voltage Drop	<2.0V
Switching Frequency	1KHZ      500HZ
Response Time	0.2ms/0.2ms    0.5ms/0.5ms
Switching Hysteresis	<15%(Sr)
Repeat Accuracy	<1.0%(Sr)
Protection Category	IP67
Operating Temperature	-25 °C - +70 °C
Temperature Drift	<10%(Sr)
Short Circuit Protection	YES
Overload Trip Point	220mA
Material Active Face	POM

DC 3 wire 10-30V NPN N.O.		
DC 3 wire 10-30V NPN N.C.		
DC 3 wire 10-30V PNP N.O.		
DC 3 wire 10-30V PNP N.C.		
DC 4 wire 10-30V Changeover PNP (N.O. & N.C.)		
DC 4 wire 10-30V Changeover NPN (N.O. & N.C.)		
DC 2 wire 10-60V N.O. *		
DC 2 wire 10-60V N.C. *		
DC 3 wire 10-55V NPN N.O.		
DC 3 wire 10-55V NPN N.C.		
DC 3 wire 10-55V PNP N.O.		
DC 3 wire 10-55V PNP N.C.		
DC 3 wire 5-36V NPN N.O.		
DC 3 wire 5-36V NPN N.C.		
DC 3 wire 5-36V PNP N.O.		
DC 3 wire 5-36V PNP N.C.		
DC 4 wire 5-36V Changeover PNP (N.O & N.C.)		
DC 4 wire 5-36V Changeover NPN (N.O & N.C.)		

Dimensions (unit: mm)
* : DC 2wire 10-60V specifications see page 3-05. Other is same.

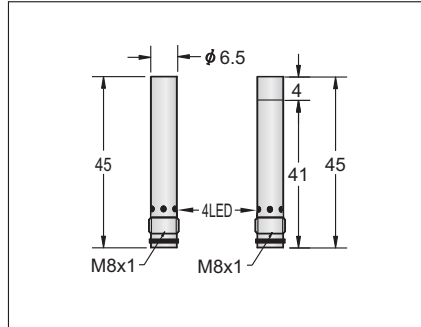
Cable 2M (PVC)
Weight

φ 6.5	
●	○
3mm	6mm
Nickel plated brass	
●	



10-30VDC	
<10%	
<10mA	
200mA	
<0.01mA	
<2.0V	
1KHZ	500HZ
0.2ms/0.2ms	0.5ms/0.5ms
<15%(Sr)	
<1.0%(Sr)	
IP67	
-25 °C - +70 °C	
<10%(Sr)	
YES	
220mA	
POM	

P1D1S6.503NOPS3	25	P1D2S6.506NOPS3
P1D1S6.503NCPS3	25	P1D2S6.506NCPS3
P1D1S6.503POPS3	26	P1D2S6.506POPS3
P1D1S6.503PCPS3	26	P1D2S6.506PCPS3



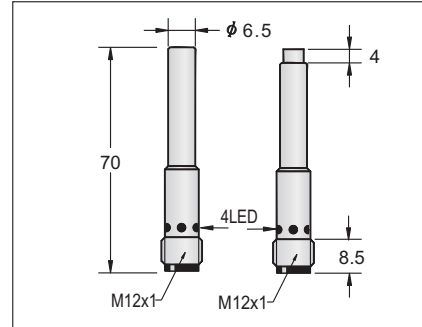
Approx.15 g	Approx.14 g
-------------	-------------

φ 6.5	
●	○
3mm	6mm
Nickel plated brass	
●	



10-30VDC	
<10%	
<10mA	
200mA	
<0.01mA	
<2.0V	
1KHZ	500HZ
0.2ms/0.2ms	0.5ms/0.5ms
<15%(Sr)	
<1.0%(Sr)	
IP67	
-25 °C - +70 °C	
<10%(Sr)	
YES	
220mA	
POM	

P1D1S6.503NOEA4	31	P1D2S6.506NOEA4
P1D1S6.503NCEA4	32	P1D2S6.506NCEA4
P1D1S6.503POEA4	33	P1D2S6.506POEA4
P1D1S6.503PCEA4	34	P1D2S6.506PCEA4



approx.25 g
-------------

