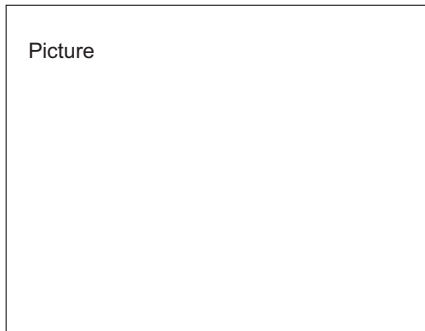


DC INDUCTIVE PROXIMITY SENSORS

Diameter
● Shielded ○ Non-shielded
Switching Distance Sn: mm
Housing Material
● With LED ○ Without LED



Operating Voltage
Ripple
No Load Current
Max. Load Current
Leakage Current
Voltage Drop
Switching Frequency
Response Time
Switching Hysteresis
Repeat Accuracy
Protection Category
Operating Temperature
Temperature Drift
Short Circuit Protection
Overload Trip Point
Material Active Face

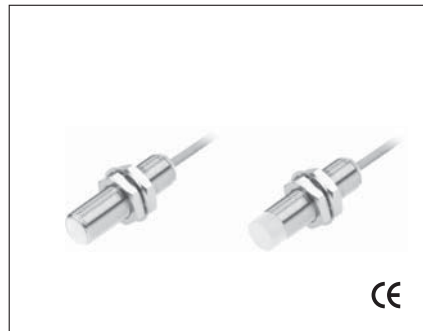
DC 3 wire 10-30V NPN N.O.
DC 3 wire 10-30V NPN N.C.
DC 3 wire 10-30V PNP N.O.
DC 3 wire 10-30V PNP N.C.
DC 4 wire 10-30V Changeover PNP (N.O. & N.C.)
DC 4 wire 10-30V Changeover NPN (N.O. & N.C.)
DC 2 wire 10-60V N.O. *
DC 2 wire 10-60V N.C. *
DC 3 wire 10-55V NPN N.O.
DC 3 wire 10-55V NPN N.C.
DC 3 wire 10-55V PNP N.O.
DC 3 wire 10-55V PNP N.C.
DC 3 wire 5-36V NPN N.O.
DC 3 wire 5-36V NPN N.C.
DC 3 wire 5-36V PNP N.O.
DC 3 wire 5-36V PNP N.C.
DC 4 wire 5-36V Changeover PNP (N.O. & N.C.)
DC 4 wire 5-36V Changeover NPN (N.O. & N.C.)

Dimensions (unit: mm)

* : DC 2wire 10-60V specifications see page 3-05. Other is same.

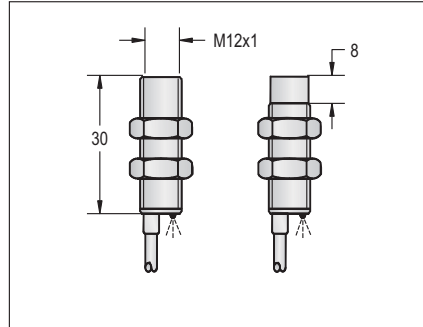
Cable 2M (PVC)
Weight

M12	
●	○
2 mm	4 mm
Nickel plated brass	
●	



10-30VDC / 5-36VDC /10-55VDC /10-60VDC	
<10%	
<10mA	
200mA	
<0.01mA	
<1.5V	
2KHZ	1KHZ
0.1ms/0.1ms	0.2ms/0.2ms
<15%(Sr)	
<1.0%(Sr)	
IP67	
-25°C - +70°C	
<10%(Sr)	
YES	
220mA	
POM	PBT

P1C1B1202NO3S2	1	P1C2B1204NO3S2
P1C1B1202NC3S2	2	P1C2B1204NC3S2
P1C1B1202PO3S2	3	P1C2B1204PO3S2
P1C1B1202PC3S2	4	P1C2B1204PC3S2
P4C1B1202CO2S2	7	P4C2B1204CO2S2
P4C1B1202CC2S2	8	P4C2B1204CC2S2
P3C1B1202NO3S2	1	P3C2B1204NO3S2
P3C1B1202NC3S2	2	P3C2B1204NC3S2
P3C1B1202PO3S2	3	P3C2B1204PO3S2
P3C1B1202PC3S2	4	P3C2B1204PC3S2
P2C1B1202NO3S2	1	P2C2B1204NO3S2
P2C1B1202NC3S2	2	P2C2B1204NC3S2
P2C1B1202PO3S2	3	P2C2B1204PO3S2
P2C1B1202PC3S2	4	P2C2B1204PC3S2



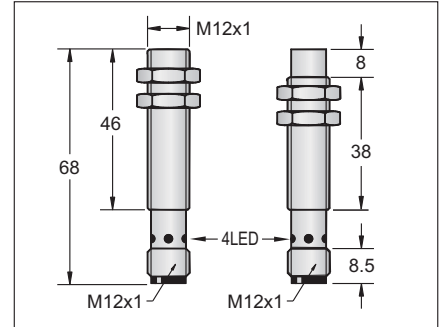
4 φ 3x0.15	
Approx.62 g	Approx.60 g

M12	
●	○
2 mm	4 mm
Nickel plated brass	
●	



10-30VDC / 5-36VDC / 10-55VDC / 10-60VDC	
<10%	
<10mA	
200mA	
<0.01mA	
<1.5V	
2KHZ	1KHZ
0.1ms/0.1ms	0.2ms/0.2ms
<15%(Sr)	
<1.0%(Sr)	
IP67	
-25°C - +70°C	
<10%(Sr)	
YES	
220mA	
POM	PBT

P1C1B1202NOEA4	31	P1C2B1204NOEA4
P1C1B1202NCEA4	32	P1C2B1204NCEA4
P1C1B1202POEA4	33	P1C2B1204POEA4
P1C1B1202PCEA4	34	P1C2B1204PCEA4
P1C1B1202PSEA4	35	P1C2B1204PSEA4
P1C1B1202NSEA4	36	P1C2B1204NSEA4
P4C1B1202COEA4	37	P4C2B1204COEA4
P4C1B1202CCEA4	38	P4C2B1204CCEA4
P3C1B1202NOEA4	31	P3C2B1204NOEA4
P3C1B1202NCEA4	32	P3C2B1204NCEA4
P3C1B1202POEA4	33	P3C2B1204POEA4
P3C1B1202PCEA4	34	P3C2B1204PCEA4
P2C1B1202NOEA4	31	P2C2B1204NOEA4
P2C1B1202NCEA4	32	P2C2B1204NCEA4
P2C1B1202POEA4	33	P2C2B1204POEA4
P2C1B1202PCEA4	34	P2C2B1204PCEA4
P2C1B1202PSEA4	36	P2C2B1204PSEA4
P2C1B1202NSEA4	35	P2C2B1204NSEA4



Approx.31 g	Approx.30 g
-------------	-------------

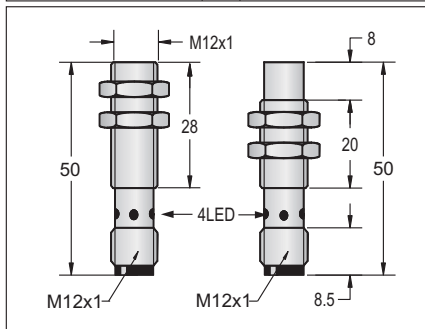
DC INDUCTIVE PROXIMITY SENSORS

M12	
●	○
2 mm	4 mm
Nickel plated brass	
●	



10-30VDC / 5-36VDC / 10-55VDC / 10-60VDC	
<10%	
<10mA	
200mA	
<0.01mA	
<1.5V	
2KHZ	1KHZ
0.1ms/0.1ms	0.2ms/0.2ms
<15%(Sr)	
<1.0%(Sr)	
IP67	
-25 °C - +70 °C	
<10%(Sr)	
YES	
220mA	
POM	PBT

P1C1B1202NOES4	31	P1C2B1204NOES4
P1C1B1202NCES4	32	P1C2B1204NCES4
P1C1B1202POES4	33	P1C2B1204POES4
P1C1B1202PCES4	34	P1C2B1204PCES4
P4C1B1202COES4	37	P4C2B1204COES4
P4C1B1202CCES4	38	P4C2B1204CCES4
P3C1B1202NOES4	31	P3C2B1204NOES4
P3C1B1202NCES4	32	P3C2B1204NCES4
P3C1B1202POES4	33	P3C2B1204POES4
P3C1B1202PCES4	34	P3C2B1204PCES4
P2C1B1202NOES4	31	P2C2B1204NOES4
P2C1B1202NCES4	32	P2C2B1204NCES4
P2C1B1202POES4	33	P2C2B1204POES4
P2C1B1202PCES4	34	P2C2B1204PCES4



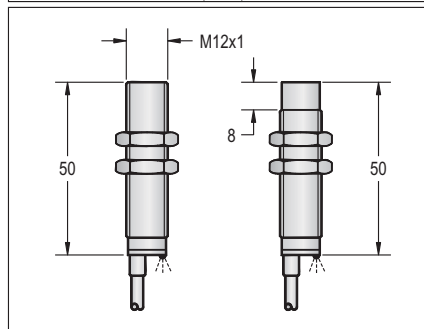
approx.25 g	Approx.23 g
-------------	-------------

M12	
●	○
4 mm	8 mm
Nickel plated brass	
●	



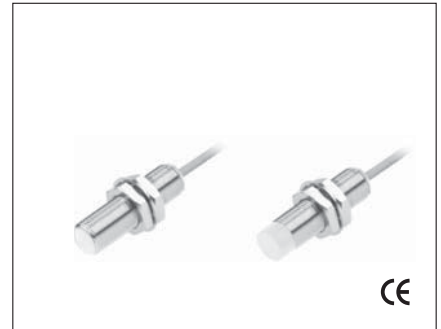
10-30VDC / 5-36VDC / 10-55VDC / 10-60VDC	
<10%	
<10mA	
200mA	
<0.01mA	
<2.0V	
1KHZ	500HZ
0.2ms/0.2ms	0.5ms/0.5ms
<15%(Sr)	
<1.0%(Sr)	
IP67	
-25 °C - +70 °C	
<10%(Sr)	
YES	
220mA	
POM	PBT

P1C1B1204NO3A2	1	P1C2B1208NO3A2
P1C1B1204NC3A2	2	P1C2B1208NC3A2
P1C1B1204PO3A2	3	P1C2B1208PO3A2
P1C1B1204PC3A2	4	P1C2B1208PC3A2
P1C1B1204PS4A2	6	P1C2B1208PS4A2
P1C1B1204NS4A2	5	P1C2B1208NS4A2
P4C1B1204CO2A2	7	P4C2B1208CO2A2
P4C1B1204CC2A2	8	P4C2B1208CC2A2
P3C1B1204NO3A2	1	P3C2B1208NO3A2
P3C1B1204NC3A2	2	P3C2B1208NC3A2
P3C1B1204PO3A2	3	P3C2B1208PO3A2
P3C1B1204PC3A2	4	P3C2B1208PC3A2
P2C1B1204NO3A2	1	P2C2B1208NO3A2
P2C1B1204NC3A2	2	P2C2B1208NC3A2
P2C1B1204PO3A2	3	P2C2B1208PO3A2
P2C1B1204PC3A2	4	P2C2B1208PC3A2
P2C1B1204PS4A2	6	P2C2B1208PS4A2
P2C1B1204NS4A2	5	P2C2B1208NS4A2



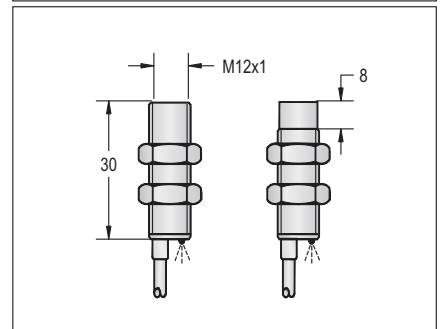
4 ∅ 3x0.15 or 4 ∅ 4x0.15	
Approx.67 g	Approx.65 g

M12	
●	○
4 mm	8 mm
Nickel plated brass	
●	



10-30VDC	
<10%	
<10mA	
200mA	
<0.01mA	
<2.0V	
1KHZ	500HZ
0.2ms/0.2ms	0.5ms/0.5ms
<15%(Sr)	
<1.0%(Sr)	
IP67	
-25 °C - +70 °C	
<10%(Sr)	
YES	
220mA	
POM	PBT

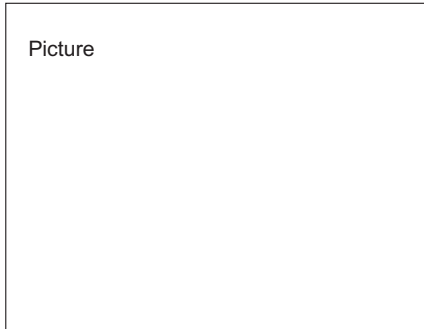
P1C1B1204NO3S2	1	P1C2B1208NO3S2
P1C1B1204NC3S2	2	P1C2B1208NC3S2
P1C1B1204PO3S2	3	P1C2B1208PO3S2
P1C1B1204PC3S2	4	P1C2B1208PC3S2



4 ∅ 3x0.15	
Approx.62 g	Approx.60 g

DC INDUCTIVE PROXIMITY SENSORS

Diameter
● Shielded ○ Non-shielded
Switching Distance Sn: mm
Housing Material
● With LED ○ Without LED



Operating Voltage
Ripple
No Load Current
Max. Load Current
Leakage Current
Voltage Drop
Switching Frequency
Response Time
Switching Hysteresis
Repeat Accuracy
Protection Category
Operating Temperature
Temperature Drift
Short Circuit Protection
Overload Trip Point
Material Active Face

DC 3 wire 10-30V NPN N.O.
DC 3 wire 10-30V NPN N.C.
DC 3 wire 10-30V PNP N.O.
DC 3 wire 10-30V PNP N.C.
DC 4 wire 10-30V Changeover PNP (N.O. & N.C.)
DC 4 wire 10-30V Changeover NPN (N.O. & N.C.)
DC 2 wire 10-60V N.O. *
DC 2 wire 10-60V N.C. *
DC 3 wire 10-55V NPN N.O.
DC 3 wire 10-55V NPN N.C.
DC 3 wire 10-55V PNP N.O.
DC 3 wire 10-55V PNP N.C.
DC 3 wire 5-36V NPN N.O.
DC 3 wire 5-36V NPN N.C.
DC 3 wire 5-36V PNP N.O.
DC 3 wire 5-36V PNP N.C.
DC 4 wire 5-36V Changeover PNP (N.O & N.C.)
DC 4 wire 5-36V Changeover NPN (N.O & N.C.)

Dimensions (unit: mm)
* : DC 2wire 10-60V specifications see page 3-05. Other is same.

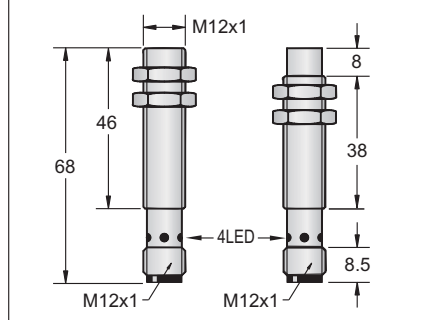
Cable 2M (PVC)
Weight

M12	
●	○
4 mm	8 mm
Nickel plated brass	
●	



10-30VDC / 5-36VDC / 10-55VDC / 10-60VDC	
<10%	
<10mA	
200mA	
<0.01mA	
<2.0V	
1KHZ	500HZ
0.2ms/0.2ms	0.5ms/0.5ms
<15%(Sr)	
<1.0%(Sr)	
IP67	
-25 °C - +70 °C	
<10%(Sr)	
YES	
220mA	
POM	PBT

P1C1B1204NOEA4	31	P1C2B1208NOEA4
P1C1B1204NCEA4	32	P1C2B1208NCEA4
P1C1B1204POEA4	33	P1C2B1208POEA4
P1C1B1204PCEA4	34	P1C2B1208PCEA4
P1C1B1204PSEA4	36	P1C2B1208PSEA4
P1C1B1204NSEA4	35	P1C2B1208NSEA4
P4C1B1204COEA4	37	P4C2B1208COEA4
P4C1B1204CCEA4	38	P4C2B1208CCEA4
P3C1B1204NOEA4	31	P3C2B1208NOEA4
P3C1B1204NCEA4	32	P3C2B1208NCEA4
P3C1B1204POEA4	33	P3C2B1208POEA4
P3C1B1204PCEA4	34	P3C2B1208PCEA4
P2C1B1204NOEA4	31	P2C2B1208NOEA4
P2C1B1204NCEA4	32	P2C2B1208NCEA4
P2C1B1204POEA4	33	P2C2B1208POEA4
P2C1B1204PCEA4	34	P2C2B1208PCEA4
P2C1B1204PSEA4	36	P2C2B1208PSEA4
P2C1B1204NSEA4	35	P2C2B1208NSEA4



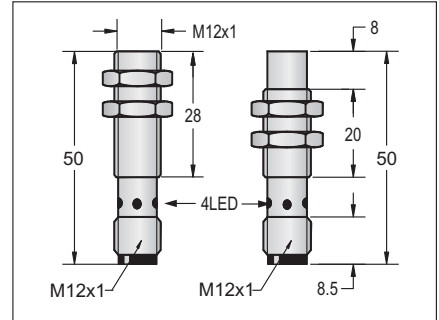
Approx.31 g	Approx.30 g
-------------	-------------

M12	
●	○
4 mm	8 mm
Nickel plated brass	
●	



10-30VDC	
<10%	
<10mA	
200mA	
<0.01mA	
<2.0V	
1KHZ	500HZ
0.2ms/0.2ms	0.5ms/0.5ms
<15%(Sr)	
<1.0%(Sr)	
IP67	
-25 °C - +70 °C	
<10%(Sr)	
YES	
220mA	
POM	PBT

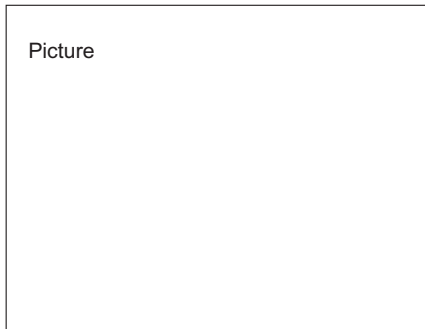
P1C1B1204NOES4	31	P1C2B1208NOES4
P1C1B1204NCES4	32	P1C2B1208NCES4
P1C1B1204POES4	33	P1C2B1208POES4
P1C1B1204PCES4	34	P1C2B1208PCES4



approx.25 g	Approx.23 g
-------------	-------------

DC INDUCTIVE PROXIMITY SENSORS

Diameter
● Shielded ○ Non-shielded
Switching Distance Sn: mm
Housing Material
● With LED ○ Without LED



Operating Voltage	10-30VDC
Ripple	<10%
No Load Current	<10mA
Max. Load Current	200mA
Leakage Current	<0.01mA
Voltage Drop	<2.0V
Switching Frequency	800HZ 400HZ
Response Time	0.2ms/0.2ms 0.3ms/0.3ms
Switching Hysteresis	<15%(Sr)
Repeat Accuracy	<1.0%(Sr)
Protection Category	IP67
Operating Temperature	-25 °C - +70 °C
Temperature Drift	<10%(Sr)
Short Circuit Protection	YES
Overload Trip Point	220mA
Material Active Face	POM PBT

DC 3 wire 10-30V NPN N.O.	P1C1B1206NOES4	31	P1C2B1210NOES4
DC 3 wire 10-30V NPN N.C.	P1C1B1206NCES4	32	P1C2B1210NCES4
DC 3 wire 10-30V PNP N.O.	P1C1B1206POES4	33	P1C2B1210POES4
DC 3 wire 10-30V PNP N.C.	P1C1B1206PCES4	34	P1C2B1210PCES4
DC 4 wire 10-30V Changeover PNP (N.O. & N.C.)			
DC 4 wire 10-30V Changeover NPN (N.O. & N.C.)			
DC 2 wire 10-60V N.O. *			
DC 2 wire 10-60V N.C. *			
DC 3 wire 10-55V NPN N.O.			
DC 3 wire 10-55V NPN N.C.			
DC 3 wire 10-55V PNP N.O.			
DC 3 wire 10-55V PNP N.C.			
DC 3 wire 5-36V NPN N.O.			
DC 3 wire 5-36V NPN N.C.			
DC 3 wire 5-36V PNP N.O.			
DC 3 wire 5-36V PNP N.C.			
DC 4 wire 5-36V Changeover PNP (N.O. & N.C.)			
DC 4 wire 5-36V Changeover NPN (N.O. & N.C.)			

Dimensions (unit: mm)

* : DC 2wire 10-60V specifications see page 3-05. Other is same.

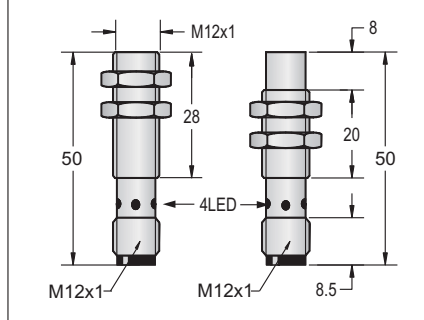
Cable 2M (PVC)
Weight

M12	
●	○
6 mm	10 mm
Nickel plated brass	
●	



Operating Voltage	10-30VDC
Ripple	<10%
No Load Current	<10mA
Max. Load Current	200mA
Leakage Current	<0.01mA
Voltage Drop	<2.0V
Switching Frequency	800HZ 400HZ
Response Time	0.2ms/0.2ms 0.3ms/0.3ms
Switching Hysteresis	<15%(Sr)
Repeat Accuracy	<1.0%(Sr)
Protection Category	IP67
Operating Temperature	-25 °C - +70 °C
Temperature Drift	<10%(Sr)
Short Circuit Protection	YES
Overload Trip Point	220mA
Material Active Face	POM PBT

DC 3 wire 10-30V NPN N.O.	P1C1B1206NOES4	31	P1C2B1210NOES4
DC 3 wire 10-30V NPN N.C.	P1C1B1206NCES4	32	P1C2B1210NCES4
DC 3 wire 10-30V PNP N.O.	P1C1B1206POES4	33	P1C2B1210POES4
DC 3 wire 10-30V PNP N.C.	P1C1B1206PCES4	34	P1C2B1210PCES4
DC 4 wire 10-30V Changeover PNP (N.O. & N.C.)			
DC 4 wire 10-30V Changeover NPN (N.O. & N.C.)			
DC 2 wire 10-60V N.O. *			
DC 2 wire 10-60V N.C. *			
DC 3 wire 10-55V NPN N.O.			
DC 3 wire 10-55V NPN N.C.			
DC 3 wire 10-55V PNP N.O.			
DC 3 wire 10-55V PNP N.C.			
DC 3 wire 5-36V NPN N.O.			
DC 3 wire 5-36V NPN N.C.			
DC 3 wire 5-36V PNP N.O.			
DC 3 wire 5-36V PNP N.C.			
DC 4 wire 5-36V Changeover PNP (N.O. & N.C.)			
DC 4 wire 5-36V Changeover NPN (N.O. & N.C.)			



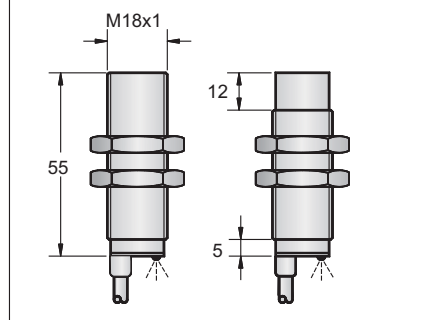
Cable 2M (PVC)
Weight

M18	
●	○
5 mm	8 mm
stainless steel or nickel plated brass	
●	



Operating Voltage	10-30VDC / 5-36VDC / 10-55VDC / 10-60VDC
Ripple	<10%
No Load Current	<10mA
Max. Load Current	200mA
Leakage Current	<0.01mA
Voltage Drop	<1.5V
Switching Frequency	1KHZ 500HZ
Response Time	0.2ms/0.2ms 0.5ms/0.5ms
Switching Hysteresis	<15%(Sr)
Repeat Accuracy	<1.0%(Sr)
Protection Category	IP67
Operating Temperature	-25 °C - +70 °C
Temperature Drift	<10%(Sr)
Short Circuit Protection	YES
Overload Trip Point	220mA
Material Active Face	PBT

DC 3 wire 10-30V NPN N.O.	P1C1B1805NO3A2	1	P1C2B1808NO3A2
DC 3 wire 10-30V NPN N.C.	P1C1B1805NC3A2	2	P1C2B1808NC3A2
DC 3 wire 10-30V PNP N.O.	P1C1B1805PO3A2	3	P1C2B1808PO3A2
DC 3 wire 10-30V PNP N.C.	P1C1B1805PC3A2	4	P1C2B1808PC3A2
DC 4 wire 10-30V Changeover PNP (N.O. & N.C.)	P1C1B1805PS4A2	6	P1C2B1808PS4A2
DC 4 wire 10-30V Changeover NPN (N.O. & N.C.)	P1C1B1805NS4A2	5	P1C2B1808NS4A2
DC 2 wire 10-60V N.O. *	P4C1B1805CO2A2	7	P4C2B1808CO2A2
DC 2 wire 10-60V N.C. *	P4C1B1805CC2A2	8	P4C2B1808CC2A2
DC 3 wire 10-55V NPN N.O.	P3C1B1805NO3A2	1	P3C2B1808NO3A2
DC 3 wire 10-55V NPN N.C.	P3C1B1805NC3A2	2	P3C2B1808NC3A2
DC 3 wire 10-55V PNP N.O.	P3C1B1805PO3A2	3	P3C2B1808PO3A2
DC 3 wire 10-55V PNP N.C.	P3C1B1805PC3A2	4	P3C2B1808PC3A2
DC 3 wire 5-36V NPN N.O.	P2C1B1805NO3A2	1	P2C2B1808NO3A2
DC 3 wire 5-36V NPN N.C.	P2C1B1805NC3A2	2	P2C2B1808NC3A2
DC 3 wire 5-36V PNP N.O.	P2C1B1805PO3A2	3	P2C2B1808PO3A2
DC 3 wire 5-36V PNP N.C.	P2C1B1805PC3A2	4	P2C2B1808PC3A2
DC 4 wire 5-36V Changeover PNP (N.O. & N.C.)	P2C1B1805PS4A2	6	P2C2B1808PS4A2
DC 4 wire 5-36V Changeover NPN (N.O. & N.C.)	P2C1B1805NS4A2	5	P2C2B1808NS4A2



Cable 2M (PVC)
Weight