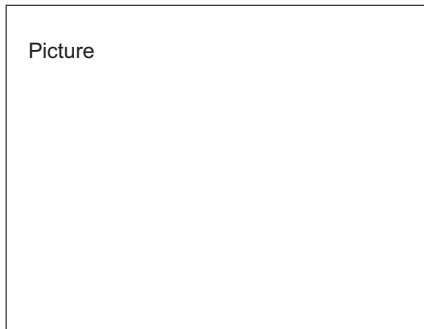


DC INDUCTIVE PROXIMITY SENSORS

Diameter
● Shielded ○ Non-shielded
Switching Distance Sn: mm
Housing Material
● With LED ○ Without LED



Operating Voltage	10-30VDC
Ripple	<10%
No Load Current	<10mA
Max. Load Current	200mA
Leakage Current	<0.01mA
Voltage Drop	<2.0V
Switching Frequency	800HZ 400HZ
Response Time	0.2ms/0.2ms 0.3ms/0.3ms
Switching Hysteresis	<15%(Sr)
Repeat Accuracy	<1.0%(Sr)
Protection Category	IP67
Operating Temperature	-25 °C - +70 °C
Temperature Drift	<10%(Sr)
Short Circuit Protection	YES
Overload Trip Point	220mA
Material Active Face	POM PBT

DC 3 wire 10-30V NPN N.O.	P1C1B1206NOES4	31	P1C2B1210NOES4
DC 3 wire 10-30V NPN N.C.	P1C1B1206NCES4	32	P1C2B1210NCES4
DC 3 wire 10-30V PNP N.O.	P1C1B1206POES4	33	P1C2B1210POES4
DC 3 wire 10-30V PNP N.C.	P1C1B1206PCES4	34	P1C2B1210PCES4
DC 4 wire 10-30V Changeover PNP (N.O. & N.C.)			
DC 4 wire 10-30V Changeover NPN (N.O. & N.C.)			
DC 2 wire 10-60V N.O. *			
DC 2 wire 10-60V N.C. *			
DC 3 wire 10-55V NPN N.O.			
DC 3 wire 10-55V NPN N.C.			
DC 3 wire 10-55V PNP N.O.			
DC 3 wire 10-55V PNP N.C.			
DC 3 wire 5-36V NPN N.O.			
DC 3 wire 5-36V NPN N.C.			
DC 3 wire 5-36V PNP N.O.			
DC 3 wire 5-36V PNP N.C.			
DC 4 wire 5-36V Changeover PNP (N.O. & N.C.)			
DC 4 wire 5-36V Changeover NPN (N.O. & N.C.)			

Dimensions (unit: mm)

* : DC 2wire 10-60V specifications see page 3-05. Other is same.

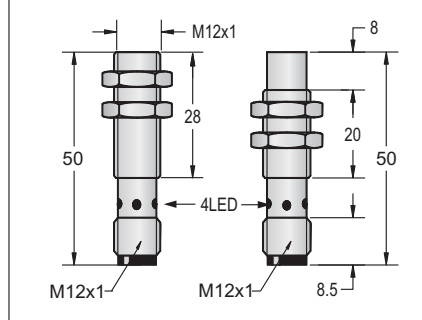
Cable 2M (PVC)
Weight

M12	
●	○
6 mm	10 mm
Nickel plated brass	
●	



Operating Voltage	10-30VDC
Ripple	<10%
No Load Current	<10mA
Max. Load Current	200mA
Leakage Current	<0.01mA
Voltage Drop	<2.0V
Switching Frequency	800HZ 400HZ
Response Time	0.2ms/0.2ms 0.3ms/0.3ms
Switching Hysteresis	<15%(Sr)
Repeat Accuracy	<1.0%(Sr)
Protection Category	IP67
Operating Temperature	-25 °C - +70 °C
Temperature Drift	<10%(Sr)
Short Circuit Protection	YES
Overload Trip Point	220mA
Material Active Face	POM PBT

DC 3 wire 10-30V NPN N.O.	P1C1B1206NOES4	31	P1C2B1210NOES4
DC 3 wire 10-30V NPN N.C.	P1C1B1206NCES4	32	P1C2B1210NCES4
DC 3 wire 10-30V PNP N.O.	P1C1B1206POES4	33	P1C2B1210POES4
DC 3 wire 10-30V PNP N.C.	P1C1B1206PCES4	34	P1C2B1210PCES4
DC 4 wire 10-30V Changeover PNP (N.O. & N.C.)			
DC 4 wire 10-30V Changeover NPN (N.O. & N.C.)			
DC 2 wire 10-60V N.O. *			
DC 2 wire 10-60V N.C. *			
DC 3 wire 10-55V NPN N.O.			
DC 3 wire 10-55V NPN N.C.			
DC 3 wire 10-55V PNP N.O.			
DC 3 wire 10-55V PNP N.C.			
DC 3 wire 5-36V NPN N.O.			
DC 3 wire 5-36V NPN N.C.			
DC 3 wire 5-36V PNP N.O.			
DC 3 wire 5-36V PNP N.C.			
DC 4 wire 5-36V Changeover PNP (N.O. & N.C.)			
DC 4 wire 5-36V Changeover NPN (N.O. & N.C.)			



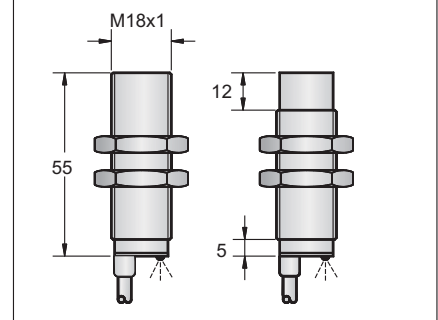
Cable 2M (PVC)
Weight

M18	
●	○
5 mm	8 mm
stainless steel or nickel plated brass	
●	



Operating Voltage	10-30VDC / 5-36VDC / 10-55VDC / 10-60VDC
Ripple	<10%
No Load Current	<10mA
Max. Load Current	200mA
Leakage Current	<0.01mA
Voltage Drop	<1.5V
Switching Frequency	1KHZ 500HZ
Response Time	0.2ms/0.2ms 0.5ms/0.5ms
Switching Hysteresis	<15%(Sr)
Repeat Accuracy	<1.0%(Sr)
Protection Category	IP67
Operating Temperature	-25 °C - +70 °C
Temperature Drift	<10%(Sr)
Short Circuit Protection	YES
Overload Trip Point	220mA
Material Active Face	PBT

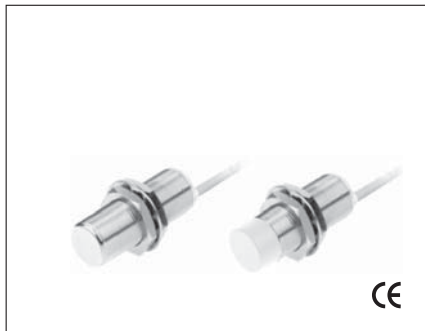
DC 3 wire 10-30V NPN N.O.	P1C1B1805NO3A2	1	P1C2B1808NO3A2
DC 3 wire 10-30V NPN N.C.	P1C1B1805NC3A2	2	P1C2B1808NC3A2
DC 3 wire 10-30V PNP N.O.	P1C1B1805PO3A2	3	P1C2B1808PO3A2
DC 3 wire 10-30V PNP N.C.	P1C1B1805PC3A2	4	P1C2B1808PC3A2
DC 4 wire 10-30V Changeover PNP (N.O. & N.C.)	P1C1B1805PS4A2	6	P1C2B1808PS4A2
DC 4 wire 10-30V Changeover NPN (N.O. & N.C.)	P1C1B1805NS4A2	5	P1C2B1808NS4A2
DC 2 wire 10-60V N.O. *	P4C1B1805CO2A2	7	P4C2B1808CO2A2
DC 2 wire 10-60V N.C. *	P4C1B1805CC2A2	8	P4C2B1808CC2A2
DC 3 wire 10-55V NPN N.O.	P3C1B1805NO3A2	1	P3C2B1808NO3A2
DC 3 wire 10-55V NPN N.C.	P3C1B1805NC3A2	2	P3C2B1808NC3A2
DC 3 wire 10-55V PNP N.O.	P3C1B1805PO3A2	3	P3C2B1808PO3A2
DC 3 wire 10-55V PNP N.C.	P3C1B1805PC3A2	4	P3C2B1808PC3A2
DC 3 wire 5-36V NPN N.O.	P2C1B1805NO3A2	1	P2C2B1808NO3A2
DC 3 wire 5-36V NPN N.C.	P2C1B1805NC3A2	2	P2C2B1808NC3A2
DC 3 wire 5-36V PNP N.O.	P2C1B1805PO3A2	3	P2C2B1808PO3A2
DC 3 wire 5-36V PNP N.C.	P2C1B1805PC3A2	4	P2C2B1808PC3A2
DC 4 wire 5-36V Changeover PNP (N.O. & N.C.)	P2C1B1805PS4A2	6	P2C2B1808PS4A2
DC 4 wire 5-36V Changeover NPN (N.O. & N.C.)	P2C1B1805NS4A2	5	P2C2B1808NS4A2



Cable 2M (PVC)
Weight

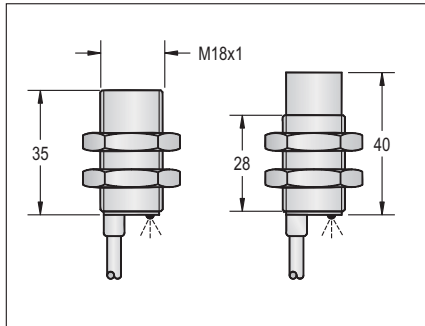
DC INDUCTIVE PROXIMITY SENSORS

M18	
●	○
5 mm	8 mm
stainless steel or nickel plated brass	
●	



10-30VDC / 5-36VDC / 10-55VDC / 10-60VDC	
<10%	
<10mA	
200mA	
<0.01mA	
<1.5V	
1KHZ	500HZ
0.2ms/0.2ms	0.5ms/0.5ms
<15%(Sr)	
<1.0%(Sr)	
IP67	
-25 °C - +70 °C	
<10%(Sr)	
YES	
220mA	
PBT	

P1C1B1805NO3S2	1	P1C2B1808NO3S2
P1C1B1805NC3S2	2	P1C2B1808NC3S2
P1C1B1805PO3S2	3	P1C2B1808PO3S2
P1C1B1805PC3S2	4	P1C2B1808PC3S2
P1C1B1805PS4S2	6	P1C2B1808PS4S2
P1C1B1805NS4S2	5	P1C2B1808NS4S2
P4C1B1805CO2S2	7	P4C2B1808CO2S2
P4C1B1805CC2S2	8	P4C2B1808CC2S2
P3C1B1805NO3S2	1	P3C2B1808NO3S2
P3C1B1805NC3S2	2	P3C2B1808NC3S2
P3C1B1805PO3S2	3	P3C2B1808PO3S2
P3C1B1805PC3S2	4	P3C2B1808PC3S2
P2C1B1805NO3S2	1	P2C2B1808NO3S2
P2C1B1805NC3S2	2	P2C2B1808NC3S2
P2C1B1805PO3S2	3	P2C2B1808PO3S2
P2C1B1805PC3S2	4	P2C2B1808PC3S2
P2C1B1805PS4S2	6	P2C2B1808PS4S2
P2C1B1805NS4S2	5	P2C2B1808NS4S2



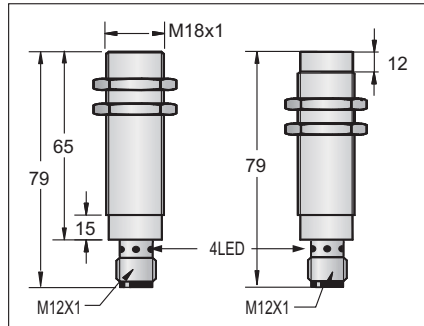
4φ 3x0.34 or 4φ 4x0.34	
Approx.132 g	Approx.134 g

M18	
●	○
5 mm	8 mm
stainless steel or nickel plated brass	
●	



10-30VDC / 5-36VDC / 10-55VDC / 10-60VDC	
<10%	
<10mA	
200mA	
<0.01mA	
<1.5V	
1KHZ	500HZ
0.2ms/0.2ms	0.5ms/0.5ms
<15%(Sr)	
<1.0%(Sr)	
IP67	
-25 °C - +70 °C	
<10%(Sr)	
YES	
220mA	
PBT	

P1C1B1805NOEA4	31	P1C2B1808NOEA4
P1C1B1805NCEA4	32	P1C2B1808NCEA4
P1C1B1805POEA4	33	P1C2B1808POEA4
P1C1B1805PCEA4	34	P1C2B1808PCEA4
P1C1B1805PSEA4	36	P1C2B1808PSEA4
P1C1B1805NSEA4	35	P1C2B1808NSEA4
P4C1B1805COEA4	37	P4C2B1808COEA4
P4C1B1805CCEA4	38	P4C2B1808CCEA4
P3C1B1805NOEA4	31	P3C2B1808NOEA4
P3C1B1805NCEA4	32	P3C2B1808NCEA4
P3C1B1805POEA4	33	P3C2B1808POEA4
P3C1B1805PCEA4	34	P3C2B1808PCEA4
P2C1B1805NOEA4	31	P2C2B1808NOEA4
P2C1B1805NCEA4	32	P2C2B1808NCEA4
P2C1B1805POEA4	33	P2C2B1808POEA4
P2C1B1805PCEA4	34	P2C2B1808PCEA4
P2C1B1805PSEA4	36	P2C2B1808PSEA4
P2C1B1805NSEA4	35	P2C2B1808NSEA4



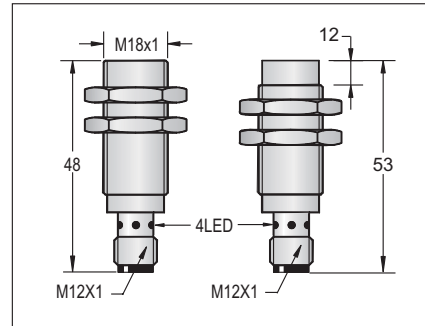
Approx.94 g	Approx.91 g
-------------	-------------

M18	
●	○
5 mm	8 mm
stainless steel or nickel plated brass	
●	



10-30VDC / 5-36VDC / 10-55VDC / 10-60VDC	
<10%	
<10mA	
200mA	
<0.01mA	
<1.5V	
1KHZ	500HZ
0.2ms/0.2ms	0.5ms/0.5ms
<15%(Sr)	
<1.0%(Sr)	
IP67	
-25 °C - +70 °C	
<10%(Sr)	
YES	
220mA	
PBT	

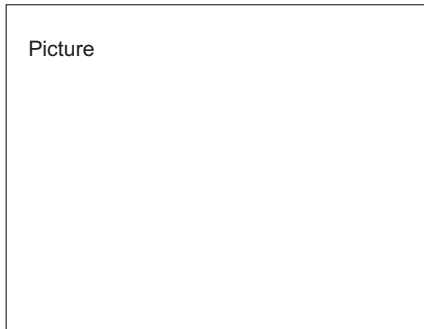
P1C1B1805NOES4	31	P1C2B1808NOES4
P1C1B1805NCES4	32	P1C2B1808NCES4
P1C1B1805POES4	33	P1C2B1808POES4
P1C1B1805PCES4	34	P1C2B1808PCES4
P1C1B1805PSES4	36	P1C2B1808PSES4
P1C1B1805NSES4	35	P1C2B1808NSES4
P4C1B1805COES4	37	P4C2B1808COES4
P4C1B1805CCES4	38	P4C2B1808CCES4
P3C1B1805NOES4	31	P3C2B1808NOES4
P3C1B1805NCES4	32	P3C2B1808NCES4
P3C1B1805POES4	33	P3C2B1808POES4
P3C1B1805PCES4	34	P3C2B1808PCES4
P2C1B1805NOES4	31	P2C2B1808NOES4
P2C1B1805NCES4	32	P2C2B1808NCES4
P2C1B1805POES4	33	P2C2B1808POES4
P2C1B1805PCES4	34	P2C2B1808PCES4
P2C1B1805PSES4	36	P2C2B1808PSES4
P2C1B1805NSES4	35	P2C2B1808NSES4



Approx.50 g	
-------------	--

DC INDUCTIVE PROXIMITY SENSORS

Diameter
● Shielded ○ Non-shielded
Switching Distance Sn: mm
Housing Material
● With LED ○ Without LED



Operating Voltage	10-30VDC / 5-36VDC / 10-55VDC / 10-60VDC
Ripple	<10%
No Load Current	<10mA
Max. Load Current	200mA
Leakage Current	<0.01mA
Voltage Drop	<1.5V
Switching Frequency	1KHZ / 500HZ
Response Time	0.2ms/0.2ms / 0.5ms/0.5ms
Switching Hysteresis	<15%(Sr)
Repeat Accuracy	<1.0%(Sr)
Protection Category	IP67
Operating Temperature	-25 °C - +70 °C
Temperature Drift	<10%(Sr)
Short Circuit Protection	YES
Overload Trip Point	220mA
Material Active Face	PBT

DC 3 wire 10-30V NPN N.O.	P1C1B1805NOZA4	43	P1C2B1808NOZA4
DC 3 wire 10-30V NPN N.C.	P1C1B1805NCZA4	44	P1C2B1808NCZA4
DC 3 wire 10-30V PNP N.O.	P1C1B1805POZA4	45	P1C2B1808POZA4
DC 3 wire 10-30V PNP N.C.	P1C1B1805PCZA4	46	P1C2B1808PCZA4
DC 4 wire 10-30V Changeover PNP (N.O. & N.C.)	P1C1B1805PSZA4	48	P1C2B1808PSZA4
DC 4 wire 10-30V Changeover NPN (N.O. & N.C.)	P1C1B1805NSZA4	47	P1C2B1808NSZA4
DC 2 wire 10-60V N.O. *	P4C1B1805COZA4	49	P4C2B1808COZA4
DC 2 wire 10-60V N.C. *	P4C1B1805CCZA4	50	P4C2B1808CCZA4
DC 3 wire 10-55V NPN N.O.	P3C1B1805NOZA4	43	P3C2B1808NOZA4
DC 3 wire 10-55V NPN N.C.	P3C1B1805NCZA4	44	P3C2B1808NCZA4
DC 3 wire 10-55V PNP N.O.	P3C1B1805POZA4	45	P3C2B1808POZA4
DC 3 wire 10-55V PNP N.C.	P3C1B1805PCZA4	46	P3C2B1808PCZA4
DC 3 wire 5-36V NPN N.O.	P2C1B1805NOZA4	43	P2C2B1808NOZA4
DC 3 wire 5-36V NPN N.C.	P2C1B1805NCZA4	44	P2C2B1808NCZA4
DC 3 wire 5-36V PNP N.O.	P2C1B1805POZA4	45	P2C2B1808POZA4
DC 3 wire 5-36V PNP N.C.	P2C1B1805PCZA4	46	P2C2B1808PCZA4
DC 4 wire 5-36V Changeover PNP (N.O. & N.C.)	P2C1B1805PSZA4	48	P2C2B1808PSZA4
DC 4 wire 5-36V Changeover NPN (N.O. & N.C.)	P2C1B1805NSZA4	47	P2C2B1808NSZA4

Dimensions (unit: mm)

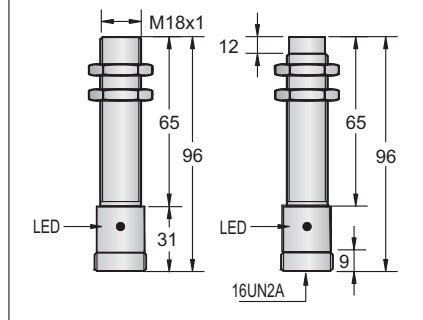
* : DC 2wire 10-60V specifications see page 3-05. Other is same.

M18	
●	○
5 mm	8 mm
stainless steel or nickel plated brass	
●	



Operating Voltage	10-30VDC / 5-36VDC / 10-55VDC / 10-60VDC
Ripple	<10%
No Load Current	<10mA
Max. Load Current	200mA
Leakage Current	<0.01mA
Voltage Drop	<1.5V
Switching Frequency	1KHZ / 500HZ
Response Time	0.2ms/0.2ms / 0.5ms/0.5ms
Switching Hysteresis	<15%(Sr)
Repeat Accuracy	<1.0%(Sr)
Protection Category	IP67
Operating Temperature	-25 °C - +70 °C
Temperature Drift	<10%(Sr)
Short Circuit Protection	YES
Overload Trip Point	220mA
Material Active Face	PBT

DC 3 wire 10-30V NPN N.O.	P1C1B1805NOZA4	43	P1C2B1808NOZA4
DC 3 wire 10-30V NPN N.C.	P1C1B1805NCZA4	44	P1C2B1808NCZA4
DC 3 wire 10-30V PNP N.O.	P1C1B1805POZA4	45	P1C2B1808POZA4
DC 3 wire 10-30V PNP N.C.	P1C1B1805PCZA4	46	P1C2B1808PCZA4
DC 4 wire 10-30V Changeover PNP (N.O. & N.C.)	P1C1B1805PSZA4	48	P1C2B1808PSZA4
DC 4 wire 10-30V Changeover NPN (N.O. & N.C.)	P1C1B1805NSZA4	47	P1C2B1808NSZA4
DC 2 wire 10-60V N.O. *	P4C1B1805COZA4	49	P4C2B1808COZA4
DC 2 wire 10-60V N.C. *	P4C1B1805CCZA4	50	P4C2B1808CCZA4
DC 3 wire 10-55V NPN N.O.	P3C1B1805NOZA4	43	P3C2B1808NOZA4
DC 3 wire 10-55V NPN N.C.	P3C1B1805NCZA4	44	P3C2B1808NCZA4
DC 3 wire 10-55V PNP N.O.	P3C1B1805POZA4	45	P3C2B1808POZA4
DC 3 wire 10-55V PNP N.C.	P3C1B1805PCZA4	46	P3C2B1808PCZA4
DC 3 wire 5-36V NPN N.O.	P2C1B1805NOZA4	43	P2C2B1808NOZA4
DC 3 wire 5-36V NPN N.C.	P2C1B1805NCZA4	44	P2C2B1808NCZA4
DC 3 wire 5-36V PNP N.O.	P2C1B1805POZA4	45	P2C2B1808POZA4
DC 3 wire 5-36V PNP N.C.	P2C1B1805PCZA4	46	P2C2B1808PCZA4
DC 4 wire 5-36V Changeover PNP (N.O. & N.C.)	P2C1B1805PSZA4	48	P2C2B1808PSZA4
DC 4 wire 5-36V Changeover NPN (N.O. & N.C.)	P2C1B1805NSZA4	47	P2C2B1808NSZA4



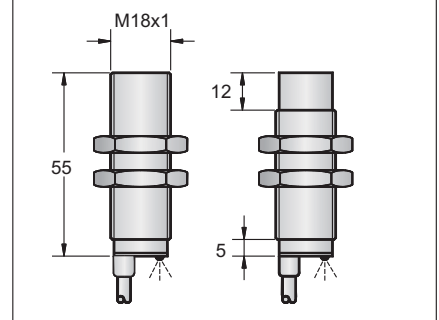
Cable 2M (PVC)	Approx.94 g	Approx.91 g
Weight	Approx.94 g	Approx.91 g

M18	
●	○
8 mm	16 mm
stainless steel or nickel plated brass	
●	



Operating Voltage	10-30VDC / 5-36VDC / 10-55VDC / 10-60VDC
Ripple	<10%
No Load Current	<10mA
Max. Load Current	200mA
Leakage Current	<0.01mA
Voltage Drop	<2.0V
Switching Frequency	500HZ / 150HZ
Response Time	0.5ms/0.5ms / 1ms/1ms
Switching Hysteresis	<15%(Sr)
Repeat Accuracy	<1.0%(Sr)
Protection Category	IP67
Operating Temperature	-25 °C - +70 °C
Temperature Drift	<10%(Sr)
Short Circuit Protection	YES
Overload Trip Point	220mA
Material Active Face	PBT

DC 3 wire 10-30V NPN N.O.	P1C1B1808NO3A2	1	P1C2B1816NO3A2
DC 3 wire 10-30V NPN N.C.	P1C1B1808NC3A2	2	P1C2B1816NC3A2
DC 3 wire 10-30V PNP N.O.	P1C1B1808PO3A2	3	P1C2B1816PO3A2
DC 3 wire 10-30V PNP N.C.	P1C1B1808PC3A2	4	P1C2B1816PC3A2
DC 4 wire 10-30V Changeover PNP (N.O. & N.C.)	P1C1B1808PS4A2	6	P1C2B1816PS4A2
DC 4 wire 10-30V Changeover NPN (N.O. & N.C.)	P1C1B1808NS4A2	5	P1C2B1816NS4A2
DC 2 wire 10-60V N.O. *	P4C1B1808CO2A2	7	P4C2B1816CO2A2
DC 2 wire 10-60V N.C. *	P4C1B1808CC2A2	8	P4C2B1816CC2A2
DC 3 wire 10-55V NPN N.O.	P3C1B1808NO3A2	1	P3C2B1816NO3A2
DC 3 wire 10-55V NPN N.C.	P3C1B1808NC3A2	2	P3C2B1816NC3A2
DC 3 wire 10-55V PNP N.O.	P3C1B1808PO3A2	3	P3C2B1816PO3A2
DC 3 wire 10-55V PNP N.C.	P3C1B1808PC3A2	4	P3C2B1816PC3A2
DC 3 wire 5-36V NPN N.O.	P2C1B1808NO3A2	1	P2C2B1816NO3A2
DC 3 wire 5-36V NPN N.C.	P2C1B1808NC3A2	2	P2C2B1816NC3A2
DC 3 wire 5-36V PNP N.O.	P2C1B1808PO3A2	3	P2C2B1816PO3A2
DC 3 wire 5-36V PNP N.C.	P2C1B1808PC3A2	4	P2C2B1816PC3A2
DC 4 wire 5-36V Changeover PNP (N.O. & N.C.)	P2C1B1808PS4A2	6	P2C2B1816PS4A2
DC 4 wire 5-36V Changeover NPN (N.O. & N.C.)	P2C1B1808NS4A2	5	P2C2B1816NS4A2



Cable 2M (PVC)	Approx.153 g	Approx.144 g
Weight	Approx.153 g	Approx.144 g

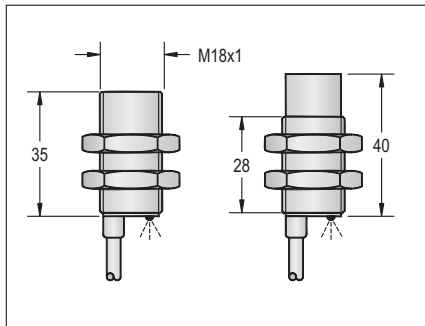
DC INDUCTIVE PROXIMITY SENSORS

M18	
●	○
8 mm	16 mm
Stainless steel or Nickel plated brass	
●	



10-30VDC / 5-36VDC / 10-55VDC / 10-60VDC	
<10%	
<10mA	
200mA	
<0.01mA	
<2.0V	
500HZ	150HZ
0.5ms/0.5ms	1ms/1ms
<15%(Sr)	
<1.0%(Sr)	
IP67	
-25 °C - +70 °C	
<10%(Sr)	
YES	
220mA	
PBT	

P1C1B1808NO3S2	1	P1C2B1816NO3S2
P1C1B1808NC3S2	2	P1C2B1816NC3S2
P1C1B1808PO3S2	3	P1C2B1816PO3S2
P1C1B1808PC3S2	4	P1C2B1816PC3S2
P1C1B1808PS4S2	6	P1C2B1816PS4S2
P1C1B1808NS4S2	5	P1C2B1816NS4S2
P4C1B1808CO2S2	7	P4C2B1816CO2S2
P4C1B1808CC2S2	8	P4C2B1816CC2S2
P3C1B1808NO3S2	1	P3C2B1816NO3S2
P3C1B1808NC3S2	2	P3C2B1816NC3S2
P3C1B1808PO3S2	3	P3C2B1816PO3S2
P3C1B1808PC3S2	4	P3C2B1816PC3S2
P2C1B1808NO3S2	1	P2C2B1816NO3S2
P2C1B1808NC3S2	2	P2C2B1816NC3S2
P2C1B1808PO3S2	3	P2C2B1816PO3S2
P2C1B1808PC3S2	4	P2C2B1816PC3S2
P2C1B1808PS4S2	6	P2C2B1816PS4S2
P2C1B1808NS4S2	5	P2C2B1816NS4S2



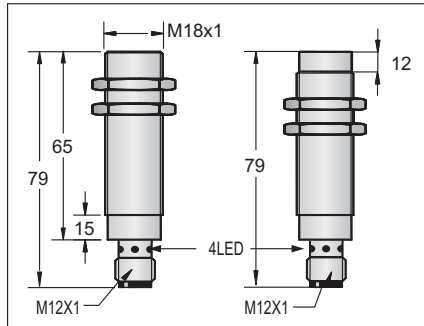
4φ 3x0.34 or 4φ 4x0.34	
Approx.132 g	Approx.134 g

M18	
●	○
8 mm	16 mm
Stainless steel or Nickel plated brass	
●	



10-30VDC / 5-36VDC / 10-55VDC / 10-60VDC	
<10%	
<10mA	
200mA	
<0.01mA	
<2.0V	
500HZ	150HZ
0.5ms/0.5ms	1ms/1ms
<15%(Sr)	
<1.0%(Sr)	
IP67	
-25 °C - +70 °C	
<10%(Sr)	
YES	
220mA	
PBT	

P1C1B1808NOEA4	31	P1C2B1816NOEA4
P1C1B1808NCEA4	32	P1C2B1816NCEA4
P1C1B1808POEA4	33	P1C2B1816POEA4
P1C1B1808PCEA4	34	P1C2B1816PCEA4
P1C1B1808PSEA4	36	P1C2B1816PSEA4
P1C1B1808NSEA4	35	P1C2B1816NSEA4
P4C1B1808COEA4	37	P4C2B1816COEA4
P4C1B1808CCEA4	38	P4C2B1816CCEA4
P3C1B1808NOEA4	31	P3C2B1816NOEA4
P3C1B1808NCEA4	32	P3C2B1816NCEA4
P3C1B1808POEA4	33	P3C2B1816POEA4
P3C1B1808PCEA4	34	P3C2B1816PCEA4
P2C1B1808NOEA4	31	P2C2B1816NOEA4
P2C1B1808NCEA4	32	P2C2B1816NCEA4
P2C1B1808POEA4	33	P2C2B1816POEA4
P2C1B1808PCEA4	34	P2C2B1816PCEA4
P2C1B1808PSEA4	36	P2C2B1816PSEA4
P2C1B1808NSEA4	35	P2C2B1816NSEA4



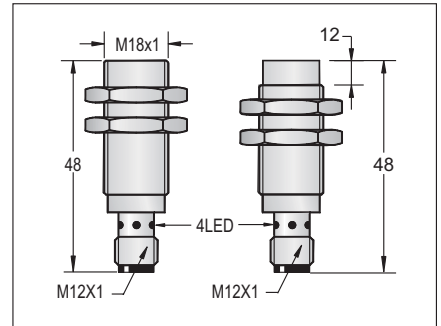
Approx.94 g	Approx.91 g
-------------	-------------

M18	
●	○
8 mm	16 mm
Stainless steel or Nickel plated brass	
●	



10-30VDC / 5-36VDC / 10-55VDC / 10-60VDC	
<10%	
<10mA	
200mA	
<0.01mA	
<2.0V	
500HZ	150HZ
0.5ms/0.5ms	1ms/1ms
<15%(Sr)	
<1.0%(Sr)	
IP67	
-25 °C - +70 °C	
<10%(Sr)	
YES	
220mA	
PBT	

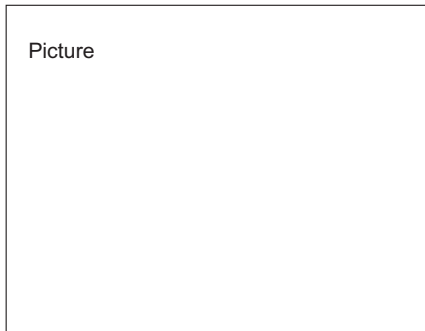
P1C1B1808NOES4	31	P1C2B1816NOES4
P1C1B1808NCES4	32	P1C2B1816NCES4
P1C1B1808POES4	33	P1C2B1816POES4
P1C1B1808PCES4	34	P1C2B1816PCES4
P1C1B1808PSES4	36	P1C2B1816PSES4
P1C1B1808NSES4	35	P1C2B1816NSES4
P4C1B1808COES4	37	P4C2B1816COES4
P4C1B1808CCES4	38	P4C2B1816CCES4
P3C1B1808NOES4	31	P3C2B1816NOES4
P3C1B1808NCES4	32	P3C2B1816NCES4
P3C1B1808POES4	33	P3C2B1816POES4
P3C1B1808PCES4	34	P3C2B1816PCES4
P2C1B1808NOES4	31	P2C2B1816NOES4
P2C1B1808NCES4	32	P2C2B1816NCES4
P2C1B1808POES4	33	P2C2B1816POES4
P2C1B1808PCES4	34	P2C2B1816PCES4
P2C1B1808PSES4	36	P2C2B1816PSES4
P2C1B1808NSES4	35	P2C2B1816NSES4



Approx.50 g	
-------------	--

DC INDUCTIVE PROXIMITY SENSORS

Diameter
● Shielded ○ Non-shielded
Switching Distance Sn: mm
Housing Material
● With LED ○ Without LED



Operating Voltage	10-30VDC / 5-36VDC / 10-55VDC / 10-60VDC
Ripple	<10%
No Load Current	<10mA
Max. Load Current	200mA
Leakage Current	<0.01mA
Voltage Drop	<2.0V
Switching Frequency	500HZ / 150HZ
Response Time	0.5ms/0.5ms / 1ms/1ms
Switching Hysteresis	<15%(Sr)
Repeat Accuracy	<1.0%(Sr)
Protection Category	IP67
Operating Temperature	-25 °C - +70 °C
Temperature Drift	<10%(Sr)
Short Circuit Protection	YES
Overload Trip Point	220mA
Material Active Face	PBT

DC 3 wire 10-30V NPN N.O.	P1C1B1808NOZA4	43	P1C2B1816NOZA4
DC 3 wire 10-30V NPN N.C.	P1C1B1808NCZA4	44	P1C2B1816NCZA4
DC 3 wire 10-30V PNP N.O.	P1C1B1808POZA4	45	P1C2B1816POZA4
DC 3 wire 10-30V PNP N.C.	P1C1B1808PCZA4	46	P1C2B1816PCZA4
DC 4 wire 10-30V Changeover PNP (N.O. & N.C.)	P1C1B1808PSZA4	48	P1C2B1816PSZA4
DC 4 wire 10-30V Changeover NPN (N.O. & N.C.)	P1C1B1808NSZA4	47	P1C2B1816NSZA4
DC 2 wire 10-60V N.O. *	P4C1B1808COZA4	49	P4C2B1816COZA4
DC 2 wire 10-60V N.C. *	P4C1B1808CCZA4	50	P4C2B1816CCZA4
DC 3 wire 10-55V NPN N.O.	P3C1B1808NOZA4	43	P3C2B1816NOZA4
DC 3 wire 10-55V NPN N.C.	P3C1B1808NCZA4	44	P3C2B1816NCZA4
DC 3 wire 10-55V PNP N.O.	P3C1B1808POZA4	45	P3C2B1816POZA4
DC 3 wire 10-55V PNP N.C.	P3C1B1808PCZA4	46	P3C2B1816PCZA4
DC 3 wire 5-36V NPN N.O.	P2C1B1808NOZA4	43	P2C2B1816NOZA4
DC 3 wire 5-36V NPN N.C.	P2C1B1808NCZA4	44	P2C2B1816NCZA4
DC 3 wire 5-36V PNP N.O.	P2C1B1808POZA4	45	P2C2B1816POZA4
DC 3 wire 5-36V PNP N.C.	P2C1B1808PCZA4	46	P2C2B1816PCZA4
DC 4 wire 5-36V Changeover PNP (N.O & N.C.)	P2C1B1808PSZA4	48	P2C2B1816PSZA4
DC 4 wire 5-36V Changeover NPN (N.O & N.C.)	P2C1B1808NSZA4	47	P2C2B1816NSZA4

Dimensions (unit: mm)

* : DC 2 wire 10-60V specifications see page 3-05. Other is same.

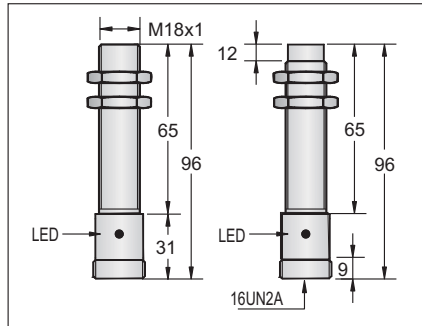
Cable 2M (PVC)
Weight

M18	
●	○
8 mm	16 mm
stainless steel or nickel plated brass	
●	



Operating Voltage	10-30VDC / 5-36VDC / 10-55VDC / 10-60VDC
Ripple	<10%
No Load Current	<10mA
Max. Load Current	200mA
Leakage Current	<0.01mA
Voltage Drop	<2.0V
Switching Frequency	500HZ / 150HZ
Response Time	0.5ms/0.5ms / 1ms/1ms
Switching Hysteresis	<15%(Sr)
Repeat Accuracy	<1.0%(Sr)
Protection Category	IP67
Operating Temperature	-25 °C - +70 °C
Temperature Drift	<10%(Sr)
Short Circuit Protection	YES
Overload Trip Point	220mA
Material Active Face	PBT

DC 3 wire 10-30V NPN N.O.	P1C1B1808NOZA4	43	P1C2B1816NOZA4
DC 3 wire 10-30V NPN N.C.	P1C1B1808NCZA4	44	P1C2B1816NCZA4
DC 3 wire 10-30V PNP N.O.	P1C1B1808POZA4	45	P1C2B1816POZA4
DC 3 wire 10-30V PNP N.C.	P1C1B1808PCZA4	46	P1C2B1816PCZA4
DC 4 wire 10-30V Changeover PNP (N.O. & N.C.)	P1C1B1808PSZA4	48	P1C2B1816PSZA4
DC 4 wire 10-30V Changeover NPN (N.O. & N.C.)	P1C1B1808NSZA4	47	P1C2B1816NSZA4
DC 2 wire 10-60V N.O. *	P4C1B1808COZA4	49	P4C2B1816COZA4
DC 2 wire 10-60V N.C. *	P4C1B1808CCZA4	50	P4C2B1816CCZA4
DC 3 wire 10-55V NPN N.O.	P3C1B1808NOZA4	43	P3C2B1816NOZA4
DC 3 wire 10-55V NPN N.C.	P3C1B1808NCZA4	44	P3C2B1816NCZA4
DC 3 wire 10-55V PNP N.O.	P3C1B1808POZA4	45	P3C2B1816POZA4
DC 3 wire 10-55V PNP N.C.	P3C1B1808PCZA4	46	P3C2B1816PCZA4
DC 3 wire 5-36V NPN N.O.	P2C1B1808NOZA4	43	P2C2B1816NOZA4
DC 3 wire 5-36V NPN N.C.	P2C1B1808NCZA4	44	P2C2B1816NCZA4
DC 3 wire 5-36V PNP N.O.	P2C1B1808POZA4	45	P2C2B1816POZA4
DC 3 wire 5-36V PNP N.C.	P2C1B1808PCZA4	46	P2C2B1816PCZA4
DC 4 wire 5-36V Changeover PNP (N.O & N.C.)	P2C1B1808PSZA4	48	P2C2B1816PSZA4
DC 4 wire 5-36V Changeover NPN (N.O & N.C.)	P2C1B1808NSZA4	47	P2C2B1816NSZA4



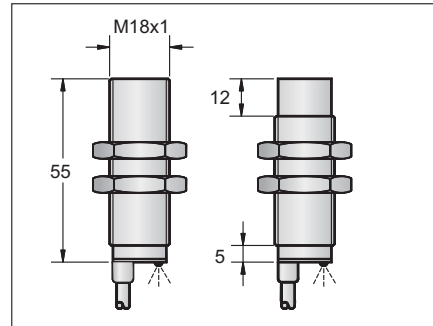
Weight	Approx.94 g	Approx.91 g
--------	-------------	-------------

M18	
●	○
12 mm	20 mm
Nickel plated brass	
●	



Operating Voltage	10-30VDC
Ripple	<10%
No Load Current	<10mA
Max. Load Current	200mA
Leakage Current	<0.01mA
Voltage Drop	<2.0V
Switching Frequency	300HZ / 100HZ
Response Time	0.5ms/0.5ms / 1ms/1ms
Switching Hysteresis	<15%(Sr)
Repeat Accuracy	<1.0%(Sr)
Protection Category	IP67
Operating Temperature	-25 °C - +70 °C
Temperature Drift	<10%(Sr)
Short Circuit Protection	YES
Overload Trip Point	220mA
Material Active Face	PBT

DC 3 wire 10-30V NPN N.O.	P1C1B1812NO3A2	1	P1C2B1820NO3A2
DC 3 wire 10-30V NPN N.C.	P1C1B1812NC3A2	2	P1C2B1820NC3A2
DC 3 wire 10-30V PNP N.O.	P1C1B1812PO3A2	3	P1C2B1820PO3A2
DC 3 wire 10-30V PNP N.C.	P1C1B1812PC3A2	4	P1C2B1820PC3A2



Weight	Approx.153 g	Approx.144 g
--------	--------------	--------------

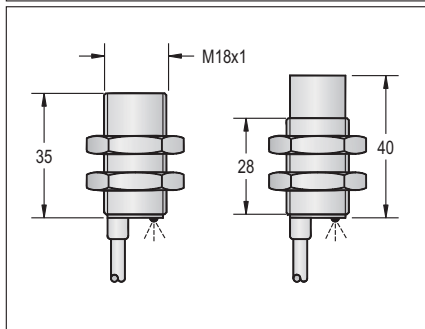
DC INDUCTIVE PROXIMITY SENSORS

M18	
●	○
12 mm	20 mm
Nickel plated brass	
●	



10-30VDC	
<10%	
<10mA	
200mA	
<0.01mA	
<2.0V	
300HZ	100HZ
0.5ms/0.5ms	1ms/1ms
<15%(Sr)	
<1.0%(Sr)	
IP67	
-25 °C - +70 °C	
<10%(Sr)	
YES	
220mA	
PBT	

P1C1B1812NO3S2	1	P1C2B1820NO3S2
P1C1B1812NC3S2	2	P1C2B1820NC3S2
P1C1B1812PO3S2	3	P1C2B1820PO3S2
P1C1B1812PC3S2	4	P1C2B1820PC3S2



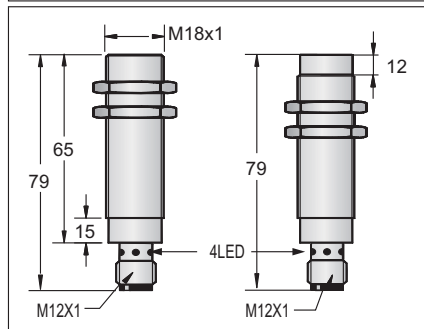
4φ 3x0.34	
Approx.132 g	Approx.134 g

M18	
●	○
12 mm	20 mm
Nickel plated brass	
●	



10-30VDC	
<10%	
<10mA	
200mA	
<0.01mA	
<2.0V	
300HZ	100HZ
0.5ms/0.5ms	1ms/1ms
<15%(Sr)	
<1.0%(Sr)	
IP67	
-25 °C - +70 °C	
<10%(Sr)	
YES	
220mA	
PBT	

P1C1B1812NOEA4	31	P1C2B1820NOEA4
P1C1B1812NCEA4	32	P1C2B1820NCEA4
P1C1B1812POEA4	33	P1C2B1820POEA4
P1C1B1812PCEA4	34	P1C2B1820PCEA4



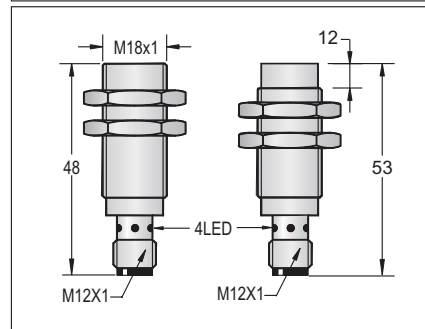
Approx.94 g	Approx.91 g
-------------	-------------

M18	
●	○
12 mm	20 mm
Nickel plated brass	
●	



10-30VDC	
<10%	
<10mA	
200mA	
<0.01mA	
<2.0V	
300HZ	100HZ
0.5ms/0.5ms	1ms/1ms
<15%(Sr)	
<1.0%(Sr)	
IP67	
-25 °C - +70 °C	
<10%(Sr)	
YES	
220mA	
PBT	

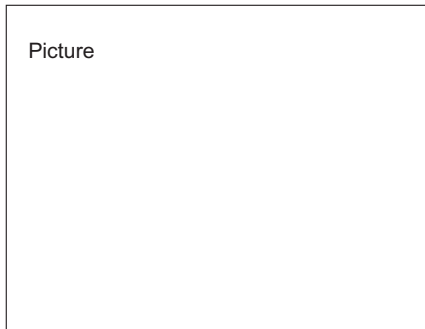
P1C1B1812NOES4	31	P1C2B1820NOES4
P1C1B1812NCES4	32	P1C2B1820NCES4
P1C1B1812POES4	33	P1C2B1820POES4
P1C1B1812PCES4	34	P1C2B1820PCES4



Approx.50 g	
-------------	--

DC INDUCTIVE PROXIMITY SENSORS

Diameter
● Shielded ○ Non-shielded
Switching Distance Sn: mm
Housing Material
● With LED ○ Without LED



Operating Voltage	10-30VDC
Ripple	<10%
No Load Current	<10mA
Max. Load Current	200mA
Leakage Current	<0.01mA
Voltage Drop	<2.0V
Switching Frequency	300HZ 100HZ
Response Time	0.5ms/0.5ms 1ms/1ms
Switching Hysteresis	<15%(Sr)
Repeat Accuracy	<1.0%(Sr)
Protection Category	IP67
Operating Temperature	-25 °C - +70 °C
Temperature Drift	<10%(Sr)
Short Circuit Protection	YES
Overload Trip Point	220mA
Material Active Face	PBT

DC 3 wire 10-30V NPN N.O.	P1C1B1812NOZA4	43	P1C2B1820NOZA4
DC 3 wire 10-30V NPN N.C.	P1C1B1812NCZA4	44	P1C2B1820NCZA4
DC 3 wire 10-30V PNP N.O.	P1C1B1812POZA4	45	P1C2B1820POZA4
DC 3 wire 10-30V PNP N.C.	P1C1B1812PCZA4	46	P1C2B1820PCZA4
DC 4 wire 10-30V Changeover PNP (N.O. & N.C.)			
DC 4 wire 10-30V Changeover NPN (N.O. & N.C.)			
DC 2 wire 10-60V N.O. *			
DC 2 wire 10-60V N.C. *			
DC 3 wire 10-55V NPN N.O.			
DC 3 wire 10-55V NPN N.C.			
DC 3 wire 10-55V PNP N.O.			
DC 3 wire 10-55V PNP N.C.			
DC 3 wire 5-36V NPN N.O.			
DC 3 wire 5-36V NPN N.C.			
DC 3 wire 5-36V PNP N.O.			
DC 3 wire 5-36V PNP N.C.			
DC 4 wire 5-36V Changeover PNP (N.O & N.C.)			
DC 4 wire 5-36V Changeover NPN (N.O & N.C.)			

Dimensions (unit: mm)

* : DC 2 wire 10-60V specifications see page 3-05. Other is same.

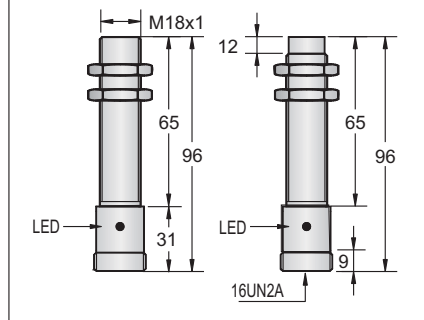
Cable 2M (PVC)
Weight

M18	
●	○
12 mm	20 mm
Nickel plated brass	
●	



Operating Voltage	10-30VDC
Ripple	<10%
No Load Current	<10mA
Max. Load Current	200mA
Leakage Current	<0.01mA
Voltage Drop	<2.0V
Switching Frequency	300HZ 100HZ
Response Time	0.5ms/0.5ms 1ms/1ms
Switching Hysteresis	<15%(Sr)
Repeat Accuracy	<1.0%(Sr)
Protection Category	IP67
Operating Temperature	-25 °C - +70 °C
Temperature Drift	<10%(Sr)
Short Circuit Protection	YES
Overload Trip Point	220mA
Material Active Face	PBT

DC 3 wire 10-30V NPN N.O.	P1C1B1812NOZA4	43	P1C2B1820NOZA4
DC 3 wire 10-30V NPN N.C.	P1C1B1812NCZA4	44	P1C2B1820NCZA4
DC 3 wire 10-30V PNP N.O.	P1C1B1812POZA4	45	P1C2B1820POZA4
DC 3 wire 10-30V PNP N.C.	P1C1B1812PCZA4	46	P1C2B1820PCZA4
DC 4 wire 10-30V Changeover PNP (N.O. & N.C.)			
DC 4 wire 10-30V Changeover NPN (N.O. & N.C.)			
DC 2 wire 10-60V N.O. *			
DC 2 wire 10-60V N.C. *			
DC 3 wire 10-55V NPN N.O.			
DC 3 wire 10-55V NPN N.C.			
DC 3 wire 10-55V PNP N.O.			
DC 3 wire 10-55V PNP N.C.			
DC 3 wire 5-36V NPN N.O.			
DC 3 wire 5-36V NPN N.C.			
DC 3 wire 5-36V PNP N.O.			
DC 3 wire 5-36V PNP N.C.			
DC 4 wire 5-36V Changeover PNP (N.O & N.C.)			
DC 4 wire 5-36V Changeover NPN (N.O & N.C.)			



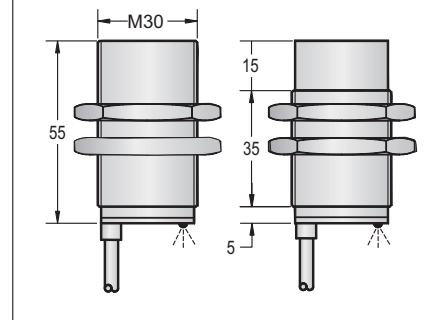
Cable 2M (PVC)
Weight

M30	
●	○
10 mm	15 mm
Stainless steel or Nickel plated brass	
●	



Operating Voltage	10-30VDC / 5-36VDC / 10-55VDC / 10-60VDC
Ripple	<10%
No Load Current	<10mA
Max. Load Current	200mA
Leakage Current	<0.01mA
Voltage Drop	<1.5V
Switching Frequency	300HZ 150HZ
Response Time	0.5ms/0.5ms 1ms/1ms
Switching Hysteresis	<15%(Sr)
Repeat Accuracy	<1.0%(Sr)
Protection Category	IP67
Operating Temperature	-25 °C - +70 °C
Temperature Drift	<10%(Sr)
Short Circuit Protection	YES
Overload Trip Point	220mA
Material Active Face	PBT

DC 3 wire 10-30V NPN N.O.	P1C1B3010NO3A2	1	P1C2B3015NO3A2
DC 3 wire 10-30V NPN N.C.	P1C1B3010NC3A2	2	P1C2B3015NC3A2
DC 3 wire 10-30V PNP N.O.	P1C1B3010PO3A2	3	P1C2B3015PO3A2
DC 3 wire 10-30V PNP N.C.	P1C1B3010PC3A2	4	P1C2B3015PC3A2
DC 4 wire 10-30V Changeover PNP (N.O. & N.C.)	P1C1B3010PS4A2	6	P1C2B3015PS4A2
DC 4 wire 10-30V Changeover NPN (N.O. & N.C.)	P1C1B3010NS4A2	5	P1C2B3015NS4A2
DC 2 wire 10-60V N.O. *	P4C1B3010CO2A2	7	P4C2B3015CO2A2
DC 2 wire 10-60V N.C. *	P4C1B3010CC2A2	8	P4C2B3015CC2A2
DC 3 wire 10-55V NPN N.O.	P3C1B3010NO3A2	1	P3C2B3015NO3A2
DC 3 wire 10-55V NPN N.C.	P3C1B3010NC3A2	2	P3C2B3015NC3A2
DC 3 wire 10-55V PNP N.O.	P3C1B3010PO3A2	3	P3C2B3015PO3A2
DC 3 wire 10-55V PNP N.C.	P3C1B3010PC3A2	4	P3C2B3015PC3A2
DC 3 wire 5-36V NPN N.O.	P2C1B3010NO3A2	1	P2C2B3015NO3A2
DC 3 wire 5-36V NPN N.C.	P2C1B3010NC3A2	2	P2C2B3015NC3A2
DC 3 wire 5-36V PNP N.O.	P2C1B3010PO3A2	3	P2C2B3015PO3A2
DC 3 wire 5-36V PNP N.C.	P2C1B3010PC3A2	4	P2C2B3015PC3A2
DC 4 wire 5-36V Changeover PNP (N.O & N.C.)	P2C1B3010PS4A2	6	P2C2B3015PS4A2
DC 4 wire 5-36V Changeover NPN (N.O & N.C.)	P2C1B3010NS4A2	5	P2C2B3015NS4A2



Cable 2M (PVC)
Weight