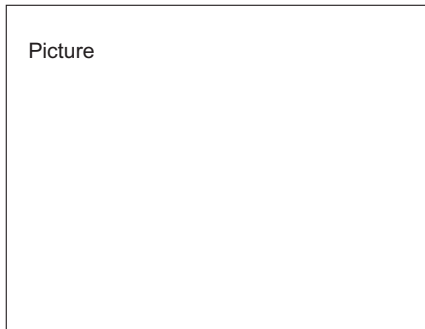


DC INDUCTIVE PROXIMITY SENSORS

Diameter
● Shielded ○ Non-shielded
Switching Distance Sn: mm
Housing Material
● With LED ○ Without LED



Operating Voltage	10-30VDC
Ripple	<10%
No Load Current	<10mA
Max. Load Current	200mA
Leakage Current	<0.01mA
Voltage Drop	<2.0V
Switching Frequency	300HZ 100HZ
Response Time	0.5ms/0.5ms 1ms/1ms
Switching Hysteresis	<15%(Sr)
Repeat Accuracy	<1.0%(Sr)
Protection Category	IP67
Operating Temperature	-25 °C - +70 °C
Temperature Drift	<10%(Sr)
Short Circuit Protection	YES
Overload Trip Point	220mA
Material Active Face	PBT

DC 3 wire 10-30V NPN N.O.	P1C1B1812NOZA4	43	P1C2B1820NOZA4
DC 3 wire 10-30V NPN N.C.	P1C1B1812NCZA4	44	P1C2B1820NCZA4
DC 3 wire 10-30V PNP N.O.	P1C1B1812POZA4	45	P1C2B1820POZA4
DC 3 wire 10-30V PNP N.C.	P1C1B1812PCZA4	46	P1C2B1820PCZA4
DC 4 wire 10-30V Changeover PNP (N.O. & N.C.)			
DC 4 wire 10-30V Changeover NPN (N.O. & N.C.)			
DC 2 wire 10-60V N.O. *			
DC 2 wire 10-60V N.C. *			
DC 3 wire 10-55V NPN N.O.			
DC 3 wire 10-55V NPN N.C.			
DC 3 wire 10-55V PNP N.O.			
DC 3 wire 10-55V PNP N.C.			
DC 3 wire 5-36V NPN N.O.			
DC 3 wire 5-36V NPN N.C.			
DC 3 wire 5-36V PNP N.O.			
DC 3 wire 5-36V PNP N.C.			
DC 4 wire 5-36V Changeover PNP (N.O & N.C.)			
DC 4 wire 5-36V Changeover NPN (N.O & N.C.)			

Dimensions (unit: mm)

* : DC 2 wire 10-60V specifications see page 3-05. Other is same.

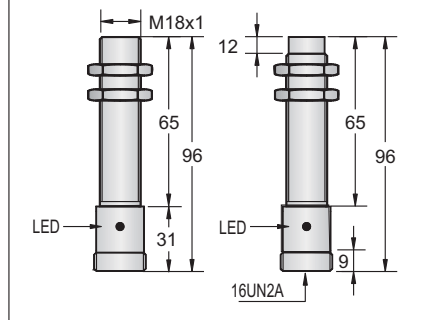
Cable 2M (PVC)
Weight

M18	
●	○
12 mm	20 mm
Nickel plated brass	
●	



Operating Voltage	10-30VDC
Ripple	<10%
No Load Current	<10mA
Max. Load Current	200mA
Leakage Current	<0.01mA
Voltage Drop	<2.0V
Switching Frequency	300HZ 100HZ
Response Time	0.5ms/0.5ms 1ms/1ms
Switching Hysteresis	<15%(Sr)
Repeat Accuracy	<1.0%(Sr)
Protection Category	IP67
Operating Temperature	-25 °C - +70 °C
Temperature Drift	<10%(Sr)
Short Circuit Protection	YES
Overload Trip Point	220mA
Material Active Face	PBT

DC 3 wire 10-30V NPN N.O.	P1C1B1812NOZA4	43	P1C2B1820NOZA4
DC 3 wire 10-30V NPN N.C.	P1C1B1812NCZA4	44	P1C2B1820NCZA4
DC 3 wire 10-30V PNP N.O.	P1C1B1812POZA4	45	P1C2B1820POZA4
DC 3 wire 10-30V PNP N.C.	P1C1B1812PCZA4	46	P1C2B1820PCZA4
DC 4 wire 10-30V Changeover PNP (N.O. & N.C.)			
DC 4 wire 10-30V Changeover NPN (N.O. & N.C.)			
DC 2 wire 10-60V N.O. *			
DC 2 wire 10-60V N.C. *			
DC 3 wire 10-55V NPN N.O.			
DC 3 wire 10-55V NPN N.C.			
DC 3 wire 10-55V PNP N.O.			
DC 3 wire 10-55V PNP N.C.			
DC 3 wire 5-36V NPN N.O.			
DC 3 wire 5-36V NPN N.C.			
DC 3 wire 5-36V PNP N.O.			
DC 3 wire 5-36V PNP N.C.			
DC 4 wire 5-36V Changeover PNP (N.O & N.C.)			
DC 4 wire 5-36V Changeover NPN (N.O & N.C.)			



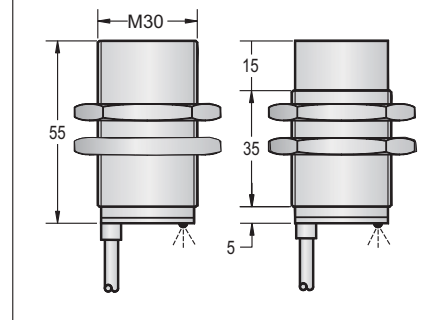
Cable 2M (PVC)
Weight

M30	
●	○
10 mm	15 mm
Stainless steel or Nickel plated brass	
●	



Operating Voltage	10-30VDC / 5-36VDC / 10-55VDC / 10-60VDC
Ripple	<10%
No Load Current	<10mA
Max. Load Current	200mA
Leakage Current	<0.01mA
Voltage Drop	<1.5V
Switching Frequency	300HZ 150HZ
Response Time	0.5ms/0.5ms 1ms/1ms
Switching Hysteresis	<15%(Sr)
Repeat Accuracy	<1.0%(Sr)
Protection Category	IP67
Operating Temperature	-25 °C - +70 °C
Temperature Drift	<10%(Sr)
Short Circuit Protection	YES
Overload Trip Point	220mA
Material Active Face	PBT

DC 3 wire 10-30V NPN N.O.	P1C1B3010NO3A2	1	P1C2B3015NO3A2
DC 3 wire 10-30V NPN N.C.	P1C1B3010NC3A2	2	P1C2B3015NC3A2
DC 3 wire 10-30V PNP N.O.	P1C1B3010PO3A2	3	P1C2B3015PO3A2
DC 3 wire 10-30V PNP N.C.	P1C1B3010PC3A2	4	P1C2B3015PC3A2
DC 4 wire 10-30V Changeover PNP (N.O. & N.C.)	P1C1B3010PS4A2	6	P1C2B3015PS4A2
DC 4 wire 10-30V Changeover NPN (N.O. & N.C.)	P1C1B3010NS4A2	5	P1C2B3015NS4A2
DC 2 wire 10-60V N.O. *	P4C1B3010CO2A2	7	P4C2B3015CO2A2
DC 2 wire 10-60V N.C. *	P4C1B3010CC2A2	8	P4C2B3015CC2A2
DC 3 wire 10-55V NPN N.O.	P3C1B3010NO3A2	1	P3C2B3015NO3A2
DC 3 wire 10-55V NPN N.C.	P3C1B3010NC3A2	2	P3C2B3015NC3A2
DC 3 wire 10-55V PNP N.O.	P3C1B3010PO3A2	3	P3C2B3015PO3A2
DC 3 wire 10-55V PNP N.C.	P3C1B3010PC3A2	4	P3C2B3015PC3A2
DC 3 wire 5-36V NPN N.O.	P2C1B3010NO3A2	1	P2C2B3015NO3A2
DC 3 wire 5-36V NPN N.C.	P2C1B3010NC3A2	2	P2C2B3015NC3A2
DC 3 wire 5-36V PNP N.O.	P2C1B3010PO3A2	3	P2C2B3015PO3A2
DC 3 wire 5-36V PNP N.C.	P2C1B3010PC3A2	4	P2C2B3015PC3A2
DC 4 wire 5-36V Changeover PNP (N.O & N.C.)	P2C1B3010PS4A2	6	P2C2B3015PS4A2
DC 4 wire 5-36V Changeover NPN (N.O & N.C.)	P2C1B3010NS4A2	5	P2C2B3015NS4A2



Cable 2M (PVC)
Weight

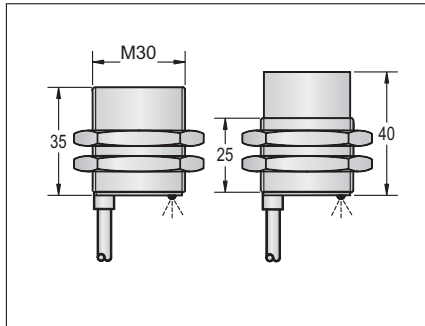
DC INDUCTIVE PROXIMITY SENSORS

M30	
●	○
10 mm	15 mm
Stainless steel or Nickel plated brass	
●	



10-30VDC / 5-36VDC / 10-55VDC / 10-60VDC	
<10%	
<10mA	
200mA	
<0.01mA	
<1.5V	
300HZ	150HZ
0.5ms/0.5ms	1ms/1ms
<15%(Sr)	
<1.0%(Sr)	
IP67	
-25 °C - +70 °C	
<10%(Sr)	
YES	
220mA	
PBT	

P1C1B3010N03S2	1	P1C2B3015N03S2
P1C1B3010NC3S2	2	P1C2B3015NC3S2
P1C1B3010PO3S2	3	P1C2B3015PO3S2
P1C1B3010PC3S2	4	P1C2B3015PC3S2
P1C1B3010PS4S2	6	P1C2B3015PS4S2
P1C1B3010NS4S2	5	P1C2B3015NS4S2
P4C1B3010C02S2	7	P4C2B3015C02S2
P4C1B3010CC2S2	8	P4C2B3015CC2S2
P3C1B3010N03S2	1	P3C2B3015N03S2
P3C1B3010NC3S2	2	P3C2B3015NC3S2
P3C1B3010PO3S2	3	P3C2B3015PO3S2
P3C1B3010PC3S2	4	P3C2B3015PC3S2
P2C1B3010N03S2	1	P2C2B3015N03S2
P2C1B3010NC3S2	2	P2C2B3015NC3S2
P2C1B3010PO3S2	3	P2C2B3015PO3S2
P2C1B3010PC3S2	4	P2C2B3015PC3S2
P2C1B3010PS4S2	6	P2C2B3015PS4S2
P2C1B3010NS4S2	5	P2C2B3015NS4S2



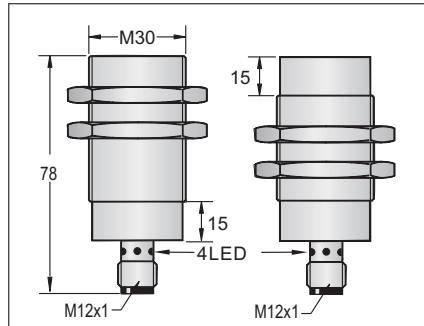
5.8φ 3x0.5 or 5.8φ 4x0.5	
Approx.180 g	Approx.182 g

M30	
●	○
10 mm	15 mm
Stainless steel or Nickel plated brass	
●	



10-30VDC / 5-36VDC / 10-55VDC / 10-60VDC	
<10%	
<10mA	
200mA	
<0.01mA	
<1.5V	
300HZ	150HZ
0.5ms/0.5ms	1ms/1ms
<15%(Sr)	
<1.0%(Sr)	
IP67	
-25 °C - +70 °C	
<10%(Sr)	
YES	
220mA	
PBT	

P1C1B3010NOEA4	31	P1C2B3015NOEA4
P1C1B3010NCEA4	32	P1C2B3015NCEA4
P1C1B3010POEA4	33	P1C2B3015POEA4
P1C1B3010PCEA4	34	P1C2B3015PCEA4
P1C1B3010PSEA4	36	P1C2B3015PSEA4
P1C1B3010NSEA4	35	P1C2B3015NSEA4
P4C1B3010COEA4	37	P4C2B3015COEA4
P4C1B3010CCEA4	38	P4C2B3015CCEA4
P3C1B3010NOEA4	31	P3C2B3015NOEA4
P3C1B3010NCEA4	32	P3C2B3015NCEA4
P3C1B3010POEA4	33	P3C2B3015POEA4
P3C1B3010PCEA4	34	P3C2B3015PCEA4
P2C1B3010NOEA4	31	P2C2B3015NOEA4
P2C1B3010NCEA4	32	P2C2B3015NCEA4
P2C1B3010POEA4	33	P2C2B3015POEA4
P2C1B3010PCEA4	34	P2C2B3015PCEA4
P2C1B3010PSEA4	36	P2C2B3015PSEA4
P2C1B3010NSEA4	35	P2C2B3015NSEA4



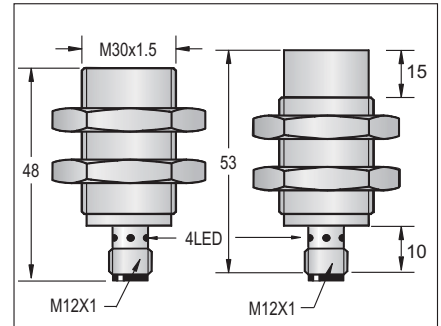
Approx.187 g	Approx.179 g
--------------	--------------

M30	
●	○
10 mm	15 mm
Stainless steel or Nickel plated brass	
●	



10-30VDC / 5-36VDC / 10-55VDC / 10-60VDC	
<10%	
<10mA	
200mA	
<0.01mA	
<1.5V	
300HZ	150HZ
0.5ms/0.5ms	1ms/1ms
<15%(Sr)	
<1.0%(Sr)	
IP67	
-25 °C - +70 °C	
<10%(Sr)	
YES	
220mA	
PBT	

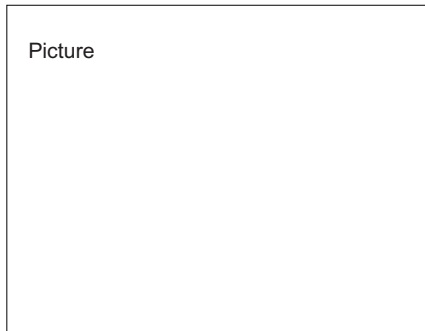
P1C1B3010NOES4	31	P1C2B3015NOES4
P1C1B3010NCES4	32	P1C2B3015NCES4
P1C1B3010POES4	33	P1C2B3015POES4
P1C1B3010PCES4	34	P1C2B3015PCES4
P1C1B3010PSES4	36	P1C2B3015PSES4
P1C1B3010NSES4	35	P1C2B3015NSES4
P4C1B3010COES4	37	P4C2B3015COES4
P4C1B3010CCES4	38	P4C2B3015CCES4
P3C1B3010NOES4	31	P3C2B3015NOES4
P3C1B3010NCES4	32	P3C2B3015NCES4
P3C1B3010POES4	33	P3C2B3015POES4
P3C1B3010PCES4	34	P3C2B3015PCES4
P2C1B3010NOES4	31	P2C2B3015NOES4
P2C1B3010NCES4	32	P2C2B3015NCES4
P2C1B3010POES4	33	P2C2B3015POES4
P2C1B3010PCES4	34	P2C2B3015PCES4
P2C1B3010PSES4	36	P2C2B3015PSES4
P2C1B3010NSES4	35	P2C2B3015NSES4



Approx.111 g	Approx.121 g
--------------	--------------

DC INDUCTIVE PROXIMITY SENSORS

Diameter
● Shielded ○ Non-shielded
Switching Distance Sn: mm
Housing Material
● With LED ○ Without LED



Operating Voltage
Ripple
No Load Current
Max. Load Current
Leakage Current
Voltage Drop
Switching Frequency
Response Time
Switching Hysteresis
Repeat Accuracy
Protection Category
Operating Temperature
Temperature Drift
Short Circuit Protection
Overload Trip Point
Material Active Face

DC 3 wire 10-30V NPN N.O.
DC 3 wire 10-30V NPN N.C.
DC 3 wire 10-30V PNP N.O.
DC 3 wire 10-30V PNP N.C.
DC 4 wire 10-30V Changeover PNP (N.O. & N.C.)
DC 4 wire 10-30V Changeover NPN (N.O. & N.C.)
DC 2 wire 10-60V N.O. *
DC 2 wire 10-60V N.C. *
DC 3 wire 10-55V NPN N.O.
DC 3 wire 10-55V NPN N.C.
DC 3 wire 10-55V PNP N.O.
DC 3 wire 10-55V PNP N.C.
DC 3 wire 5-36V NPN N.O.
DC 3 wire 5-36V NPN N.C.
DC 3 wire 5-36V PNP N.O.
DC 3 wire 5-36V PNP N.C.
DC 4 wire 5-36V Changeover PNP (N.O. & N.C.)
DC 4 wire 5-36V Changeover NPN (N.O. & N.C.)

Dimensions (unit: mm)
* : DC 2wire 10-60V specifications see page 3-05. Other is same.

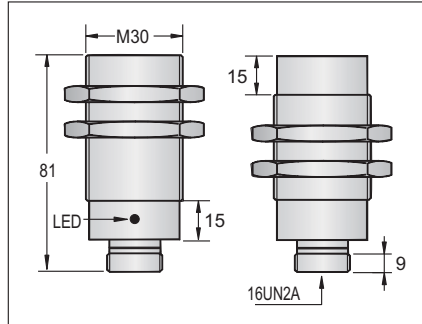
Cable 2M (PVC)
Weight

M30	
●	○
10 mm	15 mm
Stainless steel or Nickel plated brass	
●	



10-30VDC / 5-36VDC / 10-55VDC / 10-60VDC	
<10%	
<10mA	
200mA	
<0.01mA	
<1.5V	
300HZ	150HZ
0.5ms/0.5ms	1ms/1ms
<15%(Sr)	
<1.0%(Sr)	
IP67	
-25°C - +70°C	
<10%(Sr)	
YES	
220mA	
PBT	

P1C1B3010NOZA4	43	P1C2B3015NOZA4
P1C1B3010NCZA4	44	P1C2B3015NCZA4
P1C1B3010POZA4	45	P1C2B3015POZA4
P1C1B3010PCZA4	46	P1C2B3015PCZA4
P1C1B3010PSZA4	48	P1C2B3015PSZA4
P1C1B3010NSZA4	47	P1C2B3015NSZA4
P4C1B3010COZA4	49	P4C2B3015COZA4
P4C1B3010CCZA4	50	P4C2B3015CCZA4
P3C1B3010NOZA4	43	P3C2B3015NOZA4
P3C1B3010NCZA4	44	P3C2B3015NCZA4
P3C1B3010POZA4	45	P3C2B3015POZA4
P3C1B3010PCZA4	46	P3C2B3015PCZA4
P2C1B3010NOZA4	43	P2C2B3015NOZA4
P2C1B3010NCZA4	44	P2C2B3015NCZA4
P2C1B3010POZA4	45	P2C2B3015POZA4
P2C1B3010PCZA4	46	P2C2B3015PCZA4
P2C1B3010PSZA4	48	P2C2B3015PSZA4
P2C1B3010NSZA4	47	P2C2B3015NSZA4



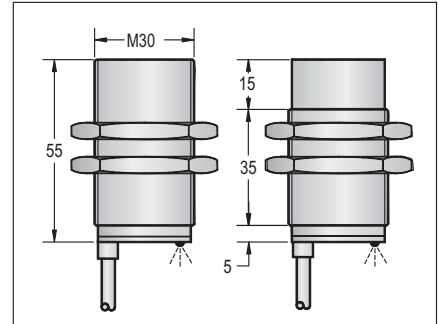
Approx.121 g	Approx.125 g
--------------	--------------

M30	
●	○
16 mm	25 mm
Stainless steel or Nickel plated brass	
●	



10-30VDC / 5-36VDC / 10-55VDC / 10-60VDC	
<10%	
<10mA	
200mA	
<0.01mA	
<2.0V	
150HZ	100HZ
1ms/1ms	1ms/1ms
<15%(Sr)	
<1.0%(Sr)	
IP67	
-25°C - +70°C	
<10%(Sr)	
YES	
220mA	
PBT	

P1C1B3016NO3A2	1	P1C2B3025NO3A2
P1C1B3016NC3A2	2	P1C2B3025NC3A2
P1C1B3016PO3A2	3	P1C2B3025PO3A2
P1C1B3016PC3A2	4	P1C2B3025PC3A2
P1C1B3016PS4A2	6	P1C2B3025PS4A2
P1C1B3016NS4A2	5	P1C2B3025NS4A2
P4C1B3016CO2A2	7	P4C2B3025CO2A2
P4C1B3016CC2A2	8	P4C2B3025CC2A2
P3C1B3016NO3A2	1	P3C2B3025NO3A2
P3C1B3016NC3A2	2	P3C2B3025NC3A2
P3C1B3016PO3A2	3	P3C2B3025PO3A2
P3C1B3016PC3A2	4	P3C2B3025PC3A2
P2C1B3016NO3A2	1	P2C2B3025NO3A2
P2C1B3016NC3A2	2	P2C2B3025NC3A2
P2C1B3016PO3A2	3	P2C2B3025PO3A2
P2C1B3016PC3A2	4	P2C2B3025PC3A2
P2C1B3016PS4A2	6	P2C2B3025PS4A2
P2C1B3016NS4A2	5	P2C2B3025NS4A2



5.8φ 3x0.5 or 5.8φ 4x0.5
Approx.217 g Approx.207 g

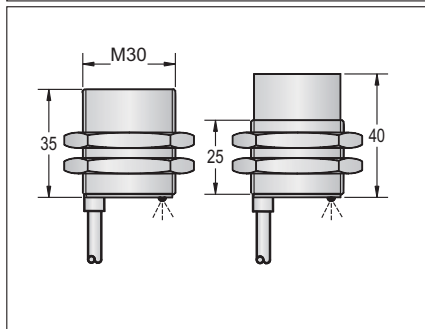
DC INDUCTIVE PROXIMITY SENSORS

M30	
●	○
16 mm	25 mm
Stainless steel or Nickel plated brass	
●	



10-30VDC / 5-36VDC / 10-55VDC / 10-60VDC	
<10%	
<10mA	
200mA	
<0.01mA	
<2.0V	
150HZ	100HZ
1ms/1ms	1ms/1ms
<15%(Sr)	
<1.0%(Sr)	
IP67	
-25 °C - +70 °C	
<10%(Sr)	
YES	
220mA	
PBT	

P1C1B3016NO3S2	1	P1C2B3025NO3S2
P1C1B3016NC3S2	2	P1C2B3025NC3S2
P1C1B3016PO3S2	3	P1C2B3025PO3S2
P1C1B3016PC3S2	4	P1C2B3025PC3S2
P1C1B3016PS4S2	5	P1C2B3025PS4S2
P1C1B3016NS4S2	6	P1C2B3025NS4S2
P4C1B3016CO2S2	7	P4C2B3025CO2S2
P4C1B3016CC2S2	8	P4C2B3025CC2S2
P3C1B3016NO3S2	1	P3C2B3025NO3S2
P3C1B3016NC3S2	2	P3C2B3025NC3S2
P3C1B3016PO3S2	3	P3C2B3025PO3S2
P3C1B3016PC3S2	4	P3C2B3025PC3S2
P2C1B3016NO3S2	1	P2C2B3025NO3S2
P2C1B3016NC3S2	2	P2C2B3025NC3S2
P2C1B3016PO3S2	3	P2C2B3025PO3S2
P2C1B3016PC3S2	4	P2C2B3025PC3S2
P2C1B3016PS4S2	6	P2C2B3025PS4S2
P2C1B3016NS4S2	5	P2C2B3025NS4S2



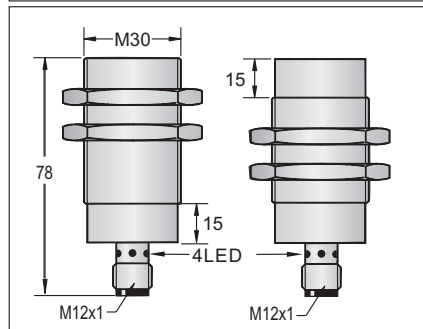
5.8 φ 3x0.5 or 5.8 φ 4x0.5	
Approx.180 g	Approx.182 g

M30	
●	○
16 mm	25 mm
Stainless steel or Nickel plated brass	
●	



10-30VDC / 5-36VDC / 10-55VDC / 10-60VDC	
<10%	
<10mA	
200mA	
<0.01mA	
<2.0V	
150HZ	100HZ
1ms/1ms	1ms/1ms
<15%(Sr)	
<1.0%(Sr)	
IP67	
-25 °C - +70 °C	
<10%(Sr)	
YES	
220mA	
PBT	

P1C1B3016NOEA4	31	P1C2B3025NOEA4
P1C1B3016NCEA4	32	P1C2B3025NCEA4
P1C1B3016POEA4	33	P1C2B3025POEA4
P1C1B3016PCEA4	34	P1C2B3025PCEA4
P1C1B3016PSEA4	36	P1C2B3025PSEA4
P1C1B3016NSEA4	35	P1C2B3025NSEA4
P4C1B3016COEA4	37	P4C2B3025COEA4
P4C1B3016CCEA4	38	P4C2B3025CCEA4
P3C1B3016NOEA4	31	P3C2B3025NOEA4
P3C1B3016NCEA4	32	P3C2B3025NCEA4
P3C1B3016POEA4	33	P3C2B3025POEA4
P3C1B3016PCEA4	34	P3C2B3025PCEA4
P3C1B3016PSEA4	31	P3C2B3025PSEA4
P2C1B3016NOEA4	32	P2C2B3025NOEA4
P2C1B3016NCEA4	32	P2C2B3025NCEA4
P2C1B3016POEA4	33	P2C2B3025POEA4
P2C1B3016PCEA4	34	P2C2B3025PCEA4
P2C1B3016PSEA4	36	P2C2B3025PSEA4
P2C1B3016NSEA4	35	P2C2B3025NSEA4



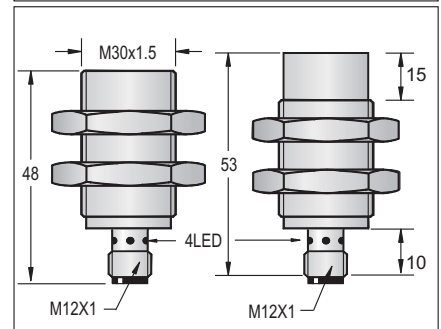
Approx.187 g	Approx.179 g
--------------	--------------

M30	
●	○
16 mm	25 mm
Stainless steel or Nickel plated brass	
●	



10-30VDC / 5-36VDC / 10-55VDC / 10-60VDC	
<10%	
<10mA	
200mA	
<0.01mA	
<2.0V	
150HZ	100HZ
1ms/1ms	1ms/1ms
<15%(Sr)	
<1.0%(Sr)	
IP67	
-25 °C - +70 °C	
<10%(Sr)	
YES	
220mA	
PBT	

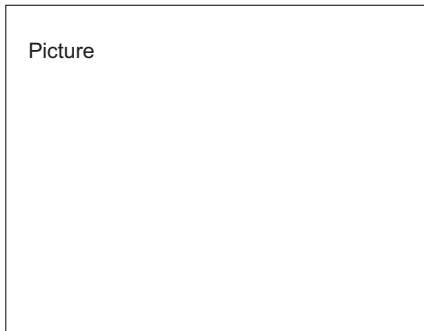
P1C1B3016NOES4	31	P1C2B3025NOES4
P1C1B3016NCES4	32	P1C2B3025NCES4
P1C1B3016POES4	33	P1C2B3025POES4
P1C1B3016PCES4	34	P1C2B3025PCES4
P1C1B3016PSES4	36	P1C2B3025PSES4
P1C1B3016NSES4	35	P1C2B3025NSES4
P4C1B3016COES4	37	P4C2B3025COES4
P4C1B3016CCES4	38	P4C2B3025CCES4
P3C1B3016NOES4	31	P3C2B3025NOES4
P3C1B3016NCES4	32	P3C2B3025NCES4
P3C1B3016POES4	33	P3C2B3025POES4
P3C1B3016PCES4	34	P3C2B3025PCES4
P2C1B3016NOES4	31	P2C2B3025NOES4
P2C1B3016NCES4	32	P2C2B3025NCES4
P2C1B3016POES4	33	P2C2B3025POES4
P2C1B3016PCES4	34	P2C2B3025PCES4
P2C1B3016PSES4	36	P2C2B3025PSES4
P2C1B3016NSES4	35	P2C2B3025NSES4



Approx.111 g	Approx.121 g
--------------	--------------

DC INDUCTIVE PROXIMITY SENSORS

Diameter
● Shielded ○ Non-shielded
Switching Distance Sn: mm
Housing Material
● With LED ○ Without LED



Operating Voltage
Ripple
No Load Current
Max. Load Current
Leakage Current
Voltage Drop
Switching Frequency
Response Time
Switching Hysteresis
Repeat Accuracy
Protection Category
Operating Temperature
Temperature Drift
Short Circuit Protection
Overload Trip Point
Material Active Face

DC 3 wire 10-30V NPN N.O.
DC 3 wire 10-30V NPN N.C.
DC 3 wire 10-30V PNP N.O.
DC 3 wire 10-30V PNP N.C.
DC 4 wire 10-30V Changeover PNP (N.O. & N.C.)
DC 4 wire 10-30V Changeover NPN (N.O. & N.C.)
DC 2 wire 10-60V N.O. *
DC 2 wire 10-60V N.C. *
DC 3 wire 10-55V NPN N.O.
DC 3 wire 10-55V NPN N.C.
DC 3 wire 10-55V PNP N.O.
DC 3 wire 10-55V PNP N.C.
DC 3 wire 5-36V NPN N.O.
DC 3 wire 5-36V NPN N.C.
DC 3 wire 5-36V PNP N.O.
DC 3 wire 5-36V PNP N.C.
DC 4 wire 5-36V Changeover PNP (N.O & N.C.)
DC 4 wire 5-36V Changeover NPN (N.O & N.C.)

Dimensions (unit: mm)

* : DC 2wire 10-60V specifications see page 3-05. Other is same.

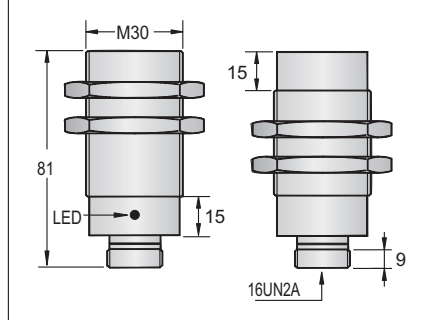
Cable 2M (PVC)
Weight

M30
● ○
16 mm 25 mm
Stainless steel or Nickel plated brass
●



10-30VDC / 5-36VDC / 10-55VDC / 10-60VDC
<10%
<10mA
200mA
<0.01mA
<1.5V
150HZ 100HZ
1ms/1ms 1ms/1ms
<15%(Sr)
<1.0%(Sr)
IP67
-25°C - +70°C
<10%(Sr)
YES
220mA
PBT

P1C1B3016NOZA4	43	P1C2B3025NOZA4
P1C1B3016NCZA4	44	P1C2B3025NCZA4
P1C1B3016POZA4	45	P1C2B3025POZA4
P1C1B3016PCZA4	46	P1C2B3025PCZA4
P1C1B3016PSZA4	48	P1C2B3025PSZA4
P1C1B3016NSZA4	47	P1C2B3025NSZA4
P4C1B3016COZA4	49	P4C2B3025COZA4
P4C1B3016CCZA4	50	P4C2B3025CCZA4
P3C1B3016NOZA4	43	P3C2B3025NOZA4
P3C1B3016NCZA4	44	P3C2B3025NCZA4
P3C1B3016POZA4	45	P3C2B3025POZA4
P3C1B3016PCZA4	46	P3C2B3025PCZA4
P2C1B3016NOZA4	43	P2C2B3025NOZA4
P2C1B3016NCZA4	44	P2C2B3025NCZA4
P2C1B3016POZA4	45	P2C2B3025POZA4
P2C1B3016PCZA4	46	P2C2B3025PCZA4
P2C1B3016PSZA4	48	P2C2B3025PSZA4
P2C1B3016NSZA4	47	P2C2B3025NSZA4



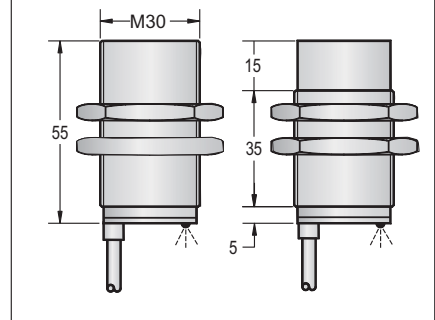
Approx.121 g	Approx.125 g
--------------	--------------

M30
● ○
22 mm 40 mm
Nickel plated brass
●



10-30VDC
<10%
<10mA
200mA
<0.01mA
<2.0V
300HZ 100HZ
0.5ms/0.5ms 1ms/1ms
<15%(Sr)
<1.0%(Sr)
IP67
-25°C - +70°C
<10%(Sr)
YES
220mA
PBT

P1C1B3022NO3A2	1	P1C2B3040NO3A2
P1C1B3022NC3A2	2	P1C2B3040NC3A2
P1C1B3022PO3A2	3	P1C2B3040PO3A2
P1C1B3022PC3A2	4	P1C2B3040PC3A2



5.8φ 3x0.5	
Approx.217 g	Approx.207 g

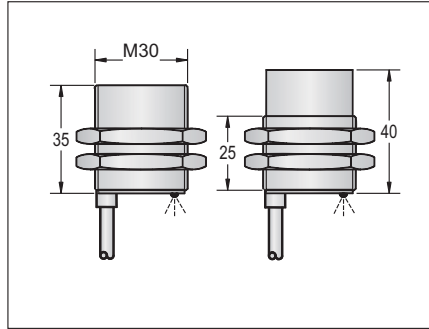
DC INDUCTIVE PROXIMITY SENSORS

M30	
●	○
22 mm	40 mm
Nickel plated brass	
●	



10-30VDC	
<10%	
<10mA	
200mA	
<0.01mA	
<2.0V	
300HZ	100HZ
0.5ms/0.5ms	1ms/1ms
<15%(Sr)	
<1.0%(Sr)	
IP67	
-25 °C - +70 °C	
<10%(Sr)	
YES	
220mA	
PBT	

P1C1B3022N03S2	1	P1C2B3040N03S2
P1C1B3022NC3S2	2	P1C2B3040NC3S2
P1C1B3022PO3S2	3	P1C2B3040PO3S2
P1C1B3022PC3S2	4	P1C2B3040PC3S2



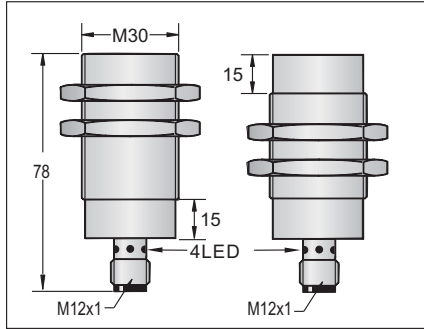
5.8 ϕ 3x0.5	
Approx. 180 g	Approx. 182 g

M30	
●	○
22 mm	40 mm
Nickel plated brass	
●	



10-30VDC	
<10%	
<10mA	
200mA	
<0.01mA	
<2.0V	
300HZ	100HZ
0.5ms/0.5ms	1ms/1ms
<15%(Sr)	
<1.0%(Sr)	
IP67	
-25 °C - +70 °C	
<10%(Sr)	
YES	
220mA	
PBT	

P1C1B3022NOEA4	31	P1C2B3040NOEA4
P1C1B3022NCEA4	32	P1C2B3040NCEA4
P1C1B3022POEA4	33	P1C2B3040POEA4
P1C1B3022PCEA4	34	P1C2B3040PCEA4



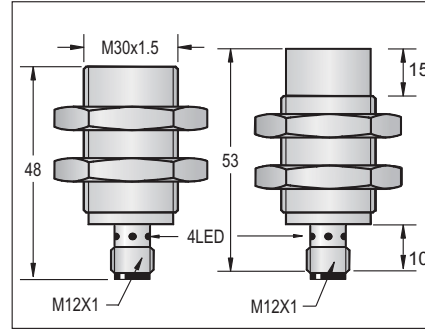
Approx. 187 g	Approx. 179 g
---------------	---------------

M30	
●	○
22 mm	40 mm
Nickel plated brass	
●	



10-30VDC	
<10%	
<10mA	
200mA	
<0.01mA	
<2.0V	
150HZ	100HZ
0.5ms/0.5ms	1ms/1ms
<15%(Sr)	
<1.0%(Sr)	
IP67	
-25 °C - +70 °C	
<10%(Sr)	
YES	
220mA	
PBT	

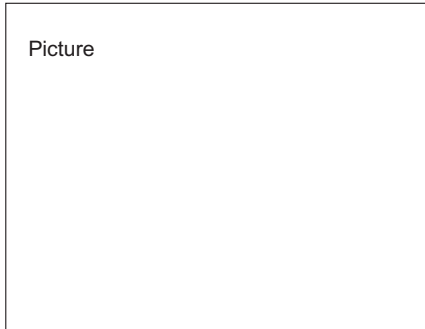
P1C1B3022NOES4	31	P1C2B3040NOES4
P1C1B3022NCES4	32	P1C2B3040NCES4
P1C1B3022POES4	33	P1C2B3040POES4
P1C1B3022PCES4	34	P1C2B3040PCES4



Approx. 111 g	Approx. 121 g
---------------	---------------

DC INDUCTIVE PROXIMITY SENSORS

Diameter
● Shielded ○ Non-shielded
Switching Distance Sn: mm
Housing Material
● With LED ○ Without LED



Operating Voltage	10-30VDC / 5-36VDC / 10-55VDC / 10-60VDC
Ripple	<10%
No Load Current	<10mA
Max. Load Current	200mA
Leakage Current	<0.01mA
Voltage Drop	<1.5V
Switching Frequency	150HZ / 100HZ
Response Time	1ms/1ms / 1ms/1ms
Switching Hysteresis	<15%(Sr)
Repeat Accuracy	<1.0%(Sr)
Protection Category	IP67
Operating Temperature	-25 °C - +70 °C
Temperature Drift	<10%(Sr)
Short Circuit Protection	YES
Overload Trip Point	220mA
Material Active Face	PBT

DC 3 wire 10-30V NPN N.O.	P1C1B3022NOZA4	43	P1C2B3040NOZA4
DC 3 wire 10-30V NPN N.C.	P1C1B3022NCZA4	44	P1C2B3040NCZA4
DC 3 wire 10-30V PNP N.O.	P1C1B3022POZA4	45	P1C2B3040POZA4
DC 3 wire 10-30V PNP N.C.	P1C1B3022PCZA4	46	P1C2B3040PCZA4
DC 4 wire 10-30V Changeover PNP (N.O. & N.C.)			
DC 4 wire 10-30V Changeover NPN (N.O. & N.C.)			
DC 2 wire 10-60V N.O.			
DC 2 wire 10-60V N.C.			
DC 3 wire 10-55V NPN N.O.			
DC 3 wire 10-55V NPN N.C.			
DC 3 wire 10-55V PNP N.O.			
DC 3 wire 10-55V PNP N.C.			
DC 3 wire 5-36V NPN N.O.			
DC 3 wire 5-36V NPN N.C.			
DC 3 wire 5-36V PNP N.O.			
DC 3 wire 5-36V PNP N.C.			
DC 4 wire 5-36V Changeover PNP (N.O & N.C.)			
DC 4 wire 5-36V Changeover NPN (N.O & N.C.)			

Dimensions (unit: mm)

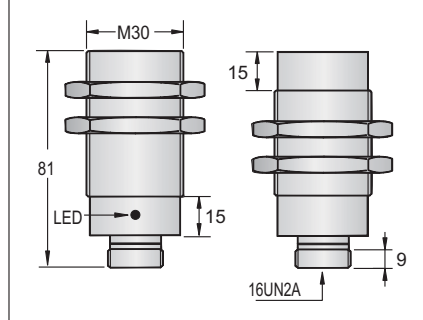
Cable 2M (PVC)
Weight

M30	
●	○
22 mm	40 mm
Stainless steel or Nickel plated brass	
●	



Operating Voltage	10-30VDC / 5-36VDC / 10-55VDC / 10-60VDC
Ripple	<10%
No Load Current	<10mA
Max. Load Current	200mA
Leakage Current	<0.01mA
Voltage Drop	<1.5V
Switching Frequency	150HZ / 100HZ
Response Time	1ms/1ms / 1ms/1ms
Switching Hysteresis	<15%(Sr)
Repeat Accuracy	<1.0%(Sr)
Protection Category	IP67
Operating Temperature	-25 °C - +70 °C
Temperature Drift	<10%(Sr)
Short Circuit Protection	YES
Overload Trip Point	220mA
Material Active Face	PBT

DC 3 wire 10-30V NPN N.O.	P1C1B3022NOZA4	43	P1C2B3040NOZA4
DC 3 wire 10-30V NPN N.C.	P1C1B3022NCZA4	44	P1C2B3040NCZA4
DC 3 wire 10-30V PNP N.O.	P1C1B3022POZA4	45	P1C2B3040POZA4
DC 3 wire 10-30V PNP N.C.	P1C1B3022PCZA4	46	P1C2B3040PCZA4
DC 4 wire 10-30V Changeover PNP (N.O. & N.C.)			
DC 4 wire 10-30V Changeover NPN (N.O. & N.C.)			
DC 2 wire 10-60V N.O.			
DC 2 wire 10-60V N.C.			
DC 3 wire 10-55V NPN N.O.			
DC 3 wire 10-55V NPN N.C.			
DC 3 wire 10-55V PNP N.O.			
DC 3 wire 10-55V PNP N.C.			
DC 3 wire 5-36V NPN N.O.			
DC 3 wire 5-36V NPN N.C.			
DC 3 wire 5-36V PNP N.O.			
DC 3 wire 5-36V PNP N.C.			
DC 4 wire 5-36V Changeover PNP (N.O & N.C.)			
DC 4 wire 5-36V Changeover NPN (N.O & N.C.)			



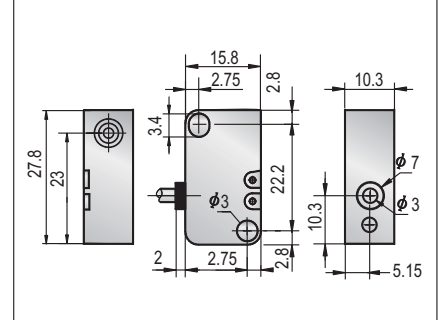
Weight	Approx.121 g / Approx.125 g
--------	-----------------------------

Q16x28x10	
●	○
1 mm	2 mm
PBT RESIN	
●	



Operating Voltage	10-30VDC
Ripple	<10%
No Load Current	<10mA
Max. Load Current	200mA
Leakage Current	<0.01mA
Voltage Drop	<1.5V
Switching Frequency	2KHZ
Response Time	0.1ms/0.1ms
Switching Hysteresis	<15%(Sr)
Repeat Accuracy	<1.0%(Sr)
Protection Category	IP67
Operating Temperature	-25 °C - +70 °C
Temperature Drift	<10%(Sr)
Short Circuit Protection	YES
Overload Trip Point	220mA
Material Active Face	-

DC 3 wire 10-30V NPN N.O.	P1S1P2801NO3A2X	1	P1S2P2802NO3A2X
DC 3 wire 10-30V NPN N.C.	P1S1P2801NC3A2X	2	P1S2P2802NC3A2X
DC 3 wire 10-30V PNP N.O.	P1S1P2801PO3A2X	3	P1S2P2802PO3A2X
DC 3 wire 10-30V PNP N.C.	P1S1P2801PC3A2X	4	P1S2P2802PC3A2X
DC 4 wire 10-30V Changeover PNP (N.O. & N.C.)			
DC 4 wire 10-30V Changeover NPN (N.O. & N.C.)			
DC 2 wire 10-60V N.O.			
DC 2 wire 10-60V N.C.			
DC 3 wire 10-55V NPN N.O.			
DC 3 wire 10-55V NPN N.C.			
DC 3 wire 10-55V PNP N.O.			
DC 3 wire 10-55V PNP N.C.			
DC 3 wire 5-36V NPN N.O.			
DC 3 wire 5-36V NPN N.C.			
DC 3 wire 5-36V PNP N.O.			
DC 3 wire 5-36V PNP N.C.			
DC 4 wire 5-36V Changeover PNP (N.O & N.C.)			
DC 4 wire 5-36V Changeover NPN (N.O & N.C.)			



Weight	3φ3x0.15 / Approx.55 g
--------	------------------------