

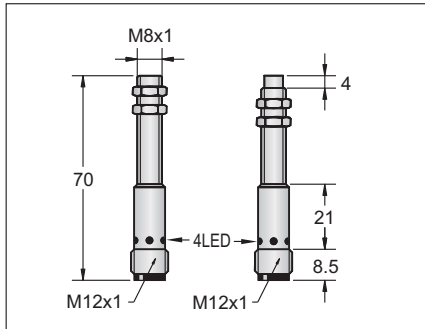
DC INDUCTIVE PROXIMITY SENSORS

M8	
●	○
1mm	2mm
Stainless steel or Nickel plated brass	
●	



10-30VDC / 5-36VDC / 10-55V / 10-60VDC
<10%
<10mA
200mA
<0.01mA
<1.5V
2KHZ
0.1ms/0.1ms
<15%(Sr)
<1.0%(Sr)
IP67
-25 °C - +70 °C
<10%(Sr)
YES
220mA
POM

P1C1S0801NOEA4	31	P1C2S0802NOEA4
P1C1S0801NCEA4	32	P1C2S0802NCEA4
P1C1S0801POEA4	33	P1C2S0802POEA4
P1C1S0801PCEA4	34	P1C2S0802PCEA4
P1C1S0801PSEA4	36	P1C2S0802PSEA4
P1C1S0801NSEA4	35	P1C2S0802NSEA4
P4C1S0801COEA4	37	P4C2S0802COEA4
P4C1S0801CCEA4	38	P4C2S0802CCEA4
P3C1S0801NOEA4	31	P3C2S0802NOEA4
P3C1S0801NCEA4	32	P3C2S0802NCEA4
P3C1S0801POEA4	33	P3C2S0802POEA4
P3C1S0801PCEA4	34	P3C2S0802PCEA4
P2C1S0801NOEA4	31	P2C2S0802NOEA4
P2C1S0801NCEA4	32	P2C2S0802NCEA4
P2C1S0801POEA4	33	P2C2S0802POEA4
P2C1S0801PCEA4	34	P2C2S0802PCEA4
P2C1S0801PSEA4	36	P2C2S0802PSEA4
P2C1S0801NSEA4	35	P2C2S0802NSEA4



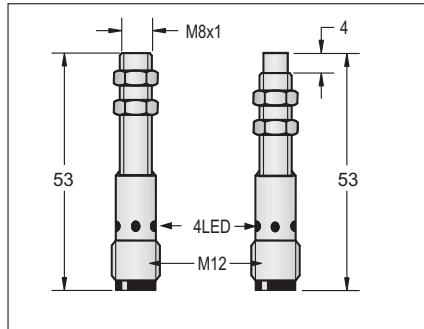
Approx.22 g

M8	
●	○
1 mm	2 mm
Stainless steel or Nickel plated brass	
●	



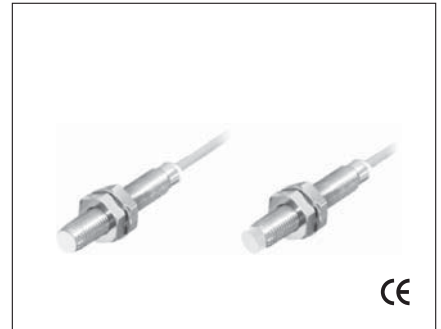
10-30VDC / 5-36VDC
<10%
<10mA
200mA
<0.01mA
<1.5V
2KHZ
0.1ms/0.1ms
<15%(Sr)
<1.0%(Sr)
IP67
-25 °C - +70 °C
<10%(Sr)
YES
220mA
POM

P1C1B0801NOES4	31	P1C2B0802NOES4
P1C1B0801NCES4	32	P1C2B0802NCES4
P1C1B0801POES4	33	P1C2B0802POES4
P1C1B0801PCES4	34	P1C2B0802PCES4
P2C1B0801NOES4	31	P2C2B0802NOES4
P2C1B0801NCES4	32	P2C2B0802NCES4
P2C1B0801POES4	33	P2C2B0802POES4
P2C1B0801PCES4	34	P2C2B0802PCES4



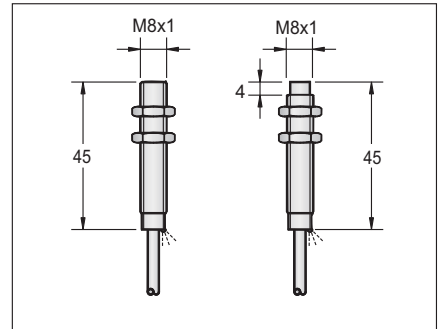
Approx.17 g

M8	
●	○
2mm	4mm
Stainless steel or Nickel plated brass	
●	



10-30VDC	
<10%	
<10mA	
200mA	
<0.01mA	
<2.0V	
2KHZ	1KHZ
0.1ms/0.1ms	0.2ms/0.2ms
<15%(Sr)	
<1.0%(Sr)	
IP67	
-25 °C - +70 °C	
<10%(Sr)	
YES	
220mA	
POM	

P1C1S0802NO3A2	1	P1C2S0804NO3A2
P1C1S0802NC3A2	2	P1C2S0804NC3A2
P1C1S0802PO3A2	3	P1C2S0804PO3A2
P1C1S0802PC3A2	4	P1C2S0804PC3A2



3 φ 3x0.15 or 3 φ 4x0.15
Approx.40 g

