

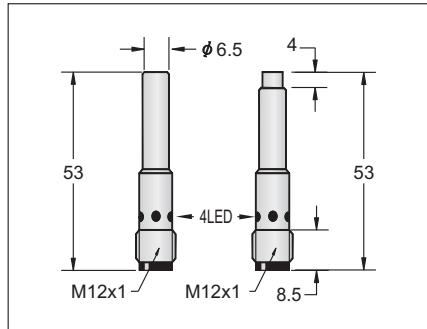
DC INDUCTIVE PROXIMITY SENSORS

ϕ 6.5	
●	○
3mm	6mm
Nickel plated brass	
●	



10-30VDC	
<10%	
<10mA	
200mA	
<0.01mA	
<2.0V	
1KHZ	500HZ
0.2ms/0.2ms	0.5ms/0.5ms
<15%(Sr)	
<1.0%(Sr)	
IP67	
-25 °C - +70 °C	
<10%(Sr)	
YES	
220mA	
POM	

P1D1S6.503NOES4	31	P1D2S6.506NOES4
P1D1S6.503NCES4	32	P1D2S6.506NCES4
P1D1S6.503POES4	33	P1D2S6.506POES4
P1D1S6.503PCES4	34	P1D2S6.506PCES4



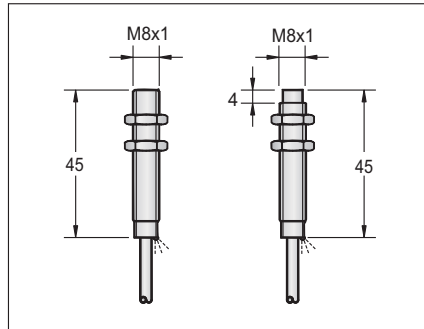
Approx. 20 g

M8	
●	○
1mm	2mm
Stainless steel	
●	



10-30VDC / 5-36VDC / 10-55V / 10-60VDC
<10%
<10mA
200mA
<0.01mA
<1.5V
2KHZ
0.1ms/0.1ms
<15%(Sr)
<1.0%(Sr)
IP67
-25 °C - +70 °C
<10%(Sr)
YES
220mA
POM

P1C1S0801NO3A2	1	P1C2S0802NO3A2
P1C1S0801NC3A2	2	P1C2S0802NC3A2
P1C1S0801PO3A2	3	P1C2S0802PO3A2
P1C1S0801PC3A2	4	P1C2S0802PC3A2
P1C1S0801PS4A2	6	P1C2S0802PS4A2
P1C1S0801NS4A2	5	P1C2S0802NS4A2
P4C1S0801CO2A2	7	P4C2S0802CO2A2
P4C1S0801CC2A2	8	P4C2S0802CC2A2
P3C1S0801NO3A2	1	P3C2S0802NO3A2
P3C1S0801NC3A2	2	P3C2S0802NC3A2
P3C1S0801PO3A2	3	P3C2S0802PO3A2
P3C1S0801PC3A2	4	P3C2S0802PC3A2
P2C1S0801NO3A2	1	P2C2S0802NO3A2
P2C1S0801NC3A2	2	P2C2S0802NC3A2
P2C1S0801PO3A2	3	P2C2S0802PO3A2
P2C1S0801PC3A2	4	P2C2S0802PC3A2
P2C1S0801PS4A2	6	P2C2S0802PS4A2
P2C1S0801NS4A2	5	P2C2S0802NS4A2



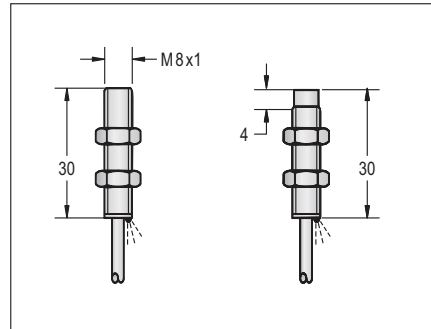
3 ϕ 3x0.15 or 3 ϕ 4x0.15
Approx. 40 g

M8	
●	○
1mm	2mm
Stainless steel	
●	



10-30VDC / 5-36VDC
<10%
<10mA
200mA
<0.01mA
<1.5V
2KHZ
0.1ms/0.1ms
<15%(Sr)
<1.0%(Sr)
IP67
-25 °C - +70 °C
<10%(Sr)
YES
220mA
POM

P1C1S0801NO3S2	1	P1C2S0802NO3S2
P1C1S0801NC3S2	2	P1C2S0802NC3S2
P1C1S0801PO3S2	3	P1C2S0802PO3S2
P1C1S0801PC3S2	4	P1C2S0802PC3S2



3 ϕ 3x0.15
Approx. 47 g

DC INDUCTIVE PROXIMITY SENSORS

Diameter
● Shielded ○ Non-shielded
Switching Distance Sn: mm
Housing Material
● With LED ○ Without LED

M8	
●	○
1mm	2mm
Stainless steel	
●	

M8	
●	○
1 mm	2 mm
Stainless steel	
●	

Picture



Operating Voltage
Ripple
No Load Current
Max. Load Current
Leakage Current
Voltage Drop
Switching Frequency
Response Time
Switching Hysteresis
Repeat Accuracy
Protection Category
Operating Temperature
Temperature Drift
Short Circuit Protection
Overload Trip Point
Material Active Face

10-30VDC / 5-36VDC / 10-55V / 10-60VDC
<10%
<10mA
200mA
<0.01mA
<1.5V
2KHZ
0.1ms/0.1ms
<15%(Sr)
<1.0%(Sr)
IP67
-25°C - +70°C
<10%(Sr)
YES
220mA
POM

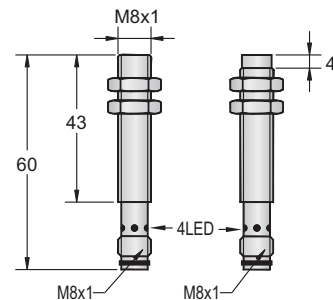
10-30VDC / 5-36VDC
<10%
<10mA
200mA
<0.01mA
<1.5V
2KHZ
0.1ms/0.1ms
<15%(Sr)
<1.0%(Sr)
IP67
-25°C - +70°C
<10%(Sr)
YES
220mA
POM

DC 3 wire 10-30V NPN N.O.
DC 3 wire 10-30V NPN N.C.
DC 3 wire 10-30V PNP N.O.
DC 3 wire 10-30V PNP N.C.
DC 4 wire 10-30V Changeover PNP (N.O. & N.C.)
DC 4 wire 10-30V Changeover NPN (N.O. & N.C.)
DC 2 wire 10-60V N.O. *
DC 2 wire 10-60V N.C. *
DC 3 wire 10-55V NPN N.O.
DC 3 wire 10-55V NPN N.C.
DC 3 wire 10-55V PNP N.O.
DC 3 wire 10-55V PNP N.C.
DC 3 wire 5-36V NPN N.O.
DC 3 wire 5-36V NPN N.C.
DC 3 wire 5-36V PNP N.O.
DC 3 wire 5-36V PNP N.C.
DC 4 wire 5-36V Changeover PNP (N.O & N.C.)
DC 4 wire 5-36V Changeover NPN (N.O & N.C.)

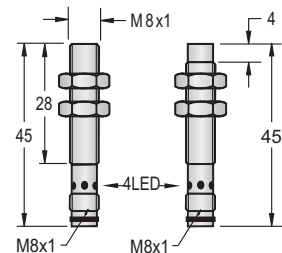
P1C1S0801NOPA3	25	P1C2S0802NOPA3
P1C1S0801NCPA3	25	P1C2S0802NCPA3
P1C1S0801POPA3	26	P1C2S0802POPA3
P1C1S0801PCPA3	26	P1C2S0802PCPA3
P1C1S0801PSPA4	28	P1C2S0802PSPA4
P1C1S0801NSPA4	27	P1C2S0802NSPA4
P4C1S0801COPA3	29	P4C2S0802COPA3
P4C1S0801CCPA3	30	P4C2S0802CCPA3
P3C1S0801NOPA3	25	P3C2S0802NOPA3
P3C1S0801NCPA3	25	P3C2S0802NCPA3
P3C1S0801POPA3	26	P3C2S0802POPA3
P3C1S0801PCPA3	26	P3C2S0802PCPA3
P2C1S0801NOPA3	25	P2C2S0802NOPA3
P2C1S0801NCPA3	25	P2C2S0802NCPA3
P2C1S0801POPA3	26	P2C2S0802POPA3
P2C1S0801PCPA3	26	P2C2S0802PCPA3
P2C1S0801PSPA4	28	P2C2S0802PSPA4
P2C1S0801NSPA4	27	P2C2S0802NSPA4

P1C1S0801NOPS3	25	P1C2S0802NOPS3
P1C1S0801NCPS3	25	P1C2S0802NCPS3
P1C1S0801POPS3	26	P1C2S0802POPS3
P1C1S0801PCPS3	26	P1C2S0802PCPS3
P2C1S0801NOPS3	25	P2C2S0802NOPS3
P2C1S0801NCPS3	25	P2C2S0802NCPS3
P2C1S0801POPS3	26	P2C2S0802POPS3
P2C1S0801PCPS3	26	P2C2S0802PCPS3

Dimensions (unit: mm)



* : DC 2wire 10-60V specifications see page 3-05. Other is same.



Cable 2M (PVC)
Weight

Approx. 15 g

Approx. 12 g

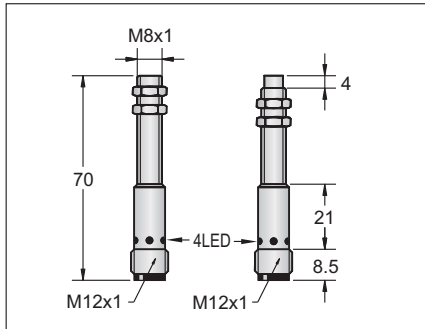
DC INDUCTIVE PROXIMITY SENSORS

M8	
●	○
1mm	2mm
Stainless steel or Nickel plated brass	
●	



10-30VDC / 5-36VDC / 10-55V / 10-60VDC
<10%
<10mA
200mA
<0.01mA
<1.5V
2KHZ
0.1ms/0.1ms
<15%(Sr)
<1.0%(Sr)
IP67
-25 °C - +70 °C
<10%(Sr)
YES
220mA
POM

P1C1S0801NOEA4	31	P1C2S0802NOEA4
P1C1S0801NCEA4	32	P1C2S0802NCEA4
P1C1S0801POEA4	33	P1C2S0802POEA4
P1C1S0801PCEA4	34	P1C2S0802PCEA4
P1C1S0801PSEA4	36	P1C2S0802PSEA4
P1C1S0801NSEA4	35	P1C2S0802NSEA4
P4C1S0801COEA4	37	P4C2S0802COEA4
P4C1S0801CCEA4	38	P4C2S0802CCEA4
P3C1S0801NOEA4	31	P3C2S0802NOEA4
P3C1S0801NCEA4	32	P3C2S0802NCEA4
P3C1S0801POEA4	33	P3C2S0802POEA4
P3C1S0801PCEA4	34	P3C2S0802PCEA4
P2C1S0801NOEA4	31	P2C2S0802NOEA4
P2C1S0801NCEA4	32	P2C2S0802NCEA4
P2C1S0801POEA4	33	P2C2S0802POEA4
P2C1S0801PCEA4	34	P2C2S0802PCEA4
P2C1S0801PSEA4	36	P2C2S0802PSEA4
P2C1S0801NSEA4	35	P2C2S0802NSEA4



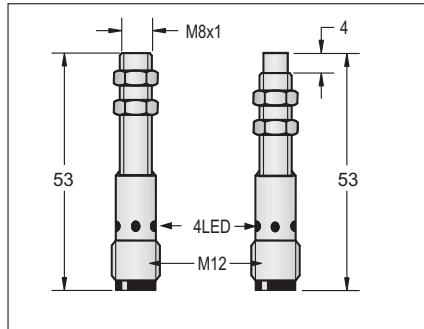
Approx.22 g

M8	
●	○
1 mm	2 mm
Stainless steel or Nickel plated brass	
●	



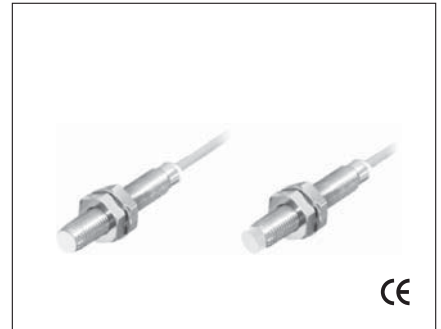
10-30VDC / 5-36VDC
<10%
<10mA
200mA
<0.01mA
<1.5V
2KHZ
0.1ms/0.1ms
<15%(Sr)
<1.0%(Sr)
IP67
-25 °C - +70 °C
<10%(Sr)
YES
220mA
POM

P1C1B0801NOES4	31	P1C2B0802NOES4
P1C1B0801NCES4	32	P1C2B0802NCES4
P1C1B0801POES4	33	P1C2B0802POES4
P1C1B0801PCES4	34	P1C2B0802PCES4
P2C1B0801NOES4	31	P2C2B0802NOES4
P2C1B0801NCES4	32	P2C2B0802NCES4
P2C1B0801POES4	33	P2C2B0802POES4
P2C1B0801PCES4	34	P2C2B0802PCES4



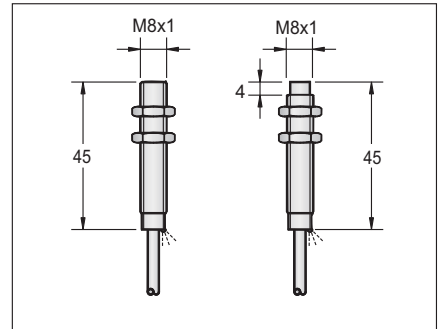
Approx.17 g

M8	
●	○
2mm	4mm
Stainless steel or Nickel plated brass	
●	



10-30VDC	
<10%	
<10mA	
200mA	
<0.01mA	
<2.0V	
2KHZ	1KHZ
0.1ms/0.1ms	0.2ms/0.2ms
<15%(Sr)	
<1.0%(Sr)	
IP67	
-25 °C - +70 °C	
<10%(Sr)	
YES	
220mA	
POM	

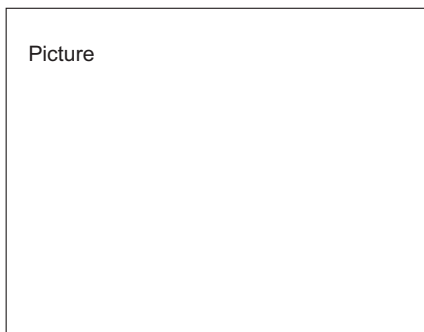
P1C1S0802NO3A2	1	P1C2S0804NO3A2
P1C1S0802NC3A2	2	P1C2S0804NC3A2
P1C1S0802PO3A2	3	P1C2S0804PO3A2
P1C1S0802PC3A2	4	P1C2S0804PC3A2



3 φ 3x0.15 or 3 φ 4x0.15
Approx.40 g

DC INDUCTIVE PROXIMITY SENSORS

Diameter
● Shielded ○ Non-shielded
Switching Distance Sn: mm
Housing Material
● With LED ○ Without LED



Operating Voltage
Ripple
No Load Current
Max. Load Current
Leakage Current
Voltage Drop
Switching Frequency
Response Time
Switching Hysteresis
Repeat Accuracy
Protection Category
Operating Temperature
Temperature Drift
Short Circuit Protection
Overload Trip Point
Material Active Face

DC 3 wire 10-30V NPN N.O.
DC 3 wire 10-30V NPN N.C.
DC 3 wire 10-30V PNP N.O.
DC 3 wire 10-30V PNP N.C.
DC 4 wire 10-30V Changeover PNP (N.O. & N.C.)
DC 4 wire 10-30V Changeover NPN (N.O. & N.C.)
DC 2 wire 10-60V N.O.
DC 2 wire 10-60V N.C.
DC 3 wire 10-55V NPN N.O.
DC 3 wire 10-55V NPN N.C.
DC 3 wire 10-55V PNP N.O.
DC 3 wire 10-55V PNP N.C.
DC 3 wire 5-36V NPN N.O.
DC 3 wire 5-36V NPN N.C.
DC 3 wire 5-36V PNP N.O.
DC 3 wire 5-36V PNP N.C.
DC 4 wire 5-36V Changeover PNP (N.O. & N.C.)
DC 4 wire 5-36V Changeover NPN (N.O. & N.C.)

Dimensions (unit: mm)

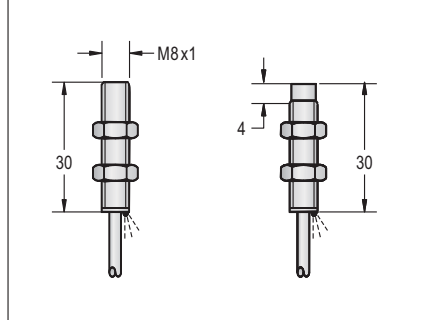
Cable 2M (PVC)
Weight

M8
● ○
2mm 4mm
Stainless steel or Nickel plated brass
●



10-30VDC
<10%
<10mA
200mA
<0.01mA
<2.0V
2KHZ 1KHZ
0.1ms/0.1ms 0.2ms/0.2ms
<15%(Sr)
<1.0%(Sr)
IP67
-25°C - +70°C
<10%(Sr)
YES
220mA
POM

P1C1S0802NO3S2	1	P1C2S0804NO3S2
P1C1S0802NC3S2	2	P1C2S0804NC3S2
P1C1S0802PO3S2	3	P1C2S0804PO3S2
P1C1S0802PC3S2	4	P1C2S0804PC3S2



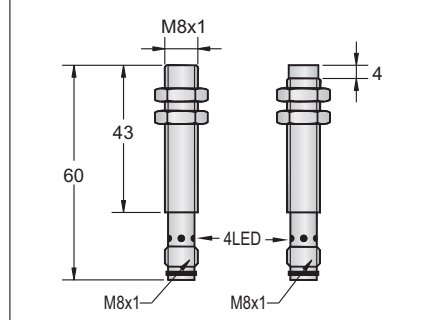
3 ϕ 3x0.15
Approx.47 g

M8
● ○
2mm 4mm
Stainless steel
●



10-30VDC
<10%
<10mA
200mA
<0.01mA
<2.0V
2KHZ 1KHZ
0.1ms/0.1ms 0.2ms/0.2ms
<15%(Sr)
<1.0%(Sr)
IP67
-25°C - +70°C
<10%(Sr)
YES
220mA
POM

P1C1S0802NOPA3	25	P1C2S0804NOPA3
P1C1S0802NCPA3	25	P1C2S0804NCPA3
P1C1S0802POPA3	26	P1C2S0804POPA3
P1C1S0802PCPA3	26	P1C2S0804PCPA3



Approx. 15 g

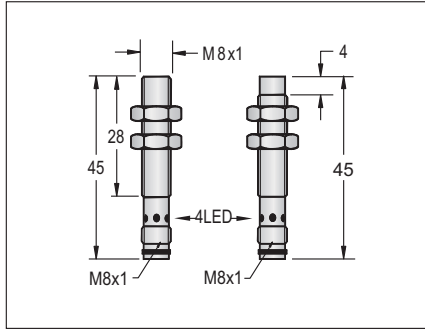
DC INDUCTIVE PROXIMITY SENSORS

M8	
●	○
2mm	4mm
Stainless steel	
●	



10-30VDC	
<10%	
<10mA	
200mA	
<0.01mA	
<2.0V	
2KHZ	1KHZ
0.1ms/0.1ms	0.2ms/0.2ms
<15%(Sr)	
<1.0%(Sr)	
IP67	
-25 °C - +70 °C	
<10%(Sr)	
YES	
220mA	
POM	

P1C1S0802NOPS3	25	P1C2S0804NOPS3
P1C1S0802NCPS3	25	P1C2S0804NCPS3
P1C1S0802POPS3	26	P1C2S0804POPS3
P1C1S0802PCPS3	26	P1C2S0804PCPS3



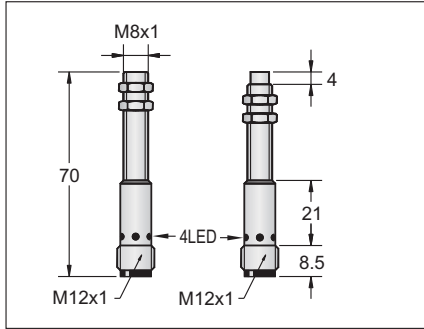
Approx. 12 g

M8	
●	○
2mm	4mm
Stainless steel or Nickel plated brass	
●	



10-30VDC	
<10%	
<10mA	
200mA	
<0.01mA	
<2.0V	
2KHZ	1KHZ
0.1ms/0.1ms	0.2ms/0.2ms
<15%(Sr)	
<1.0%(Sr)	
IP67	
-25 °C - +70 °C	
<10%(Sr)	
YES	
220mA	
POM	

P1C1B0802NOEA4	31	P1C2B0804NOEA4
P1C1B0802NCEA4	32	P1C2B0804NCEA4
P1C1B0802POEA4	33	P1C2B0804POEA4
P1C1B0802PCEA4	34	P1C2B0804PCEA4



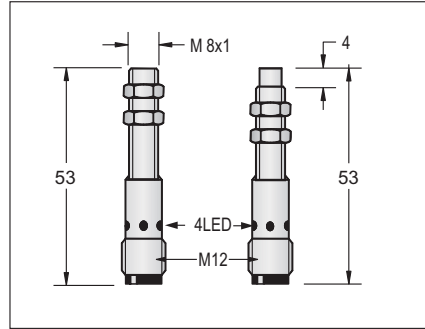
Approx. 22 g

M8	
●	○
2 mm	4 mm
Stainless steel or Nickel plated brass	
●	



10-30VDC	
<10%	
<10mA	
200mA	
<0.01mA	
<2.0V	
2KHZ	1KHZ
0.1ms/0.1ms	0.2ms/0.2ms
<15%(Sr)	
<1.0%(Sr)	
IP67	
-25 °C - +70 °C	
<10%(Sr)	
YES	
220mA	
POM	

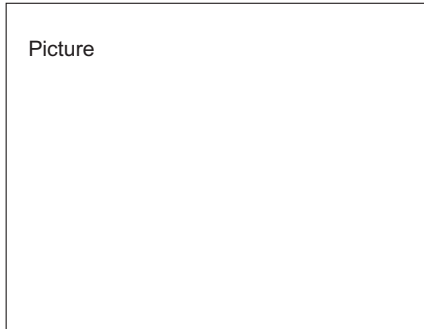
P1C1B0802NOES4	31	P1C2B0804NOES4
P1C1B0802NCES4	32	P1C2B0804NCES4
P1C1B0802POES4	33	P1C2B0804POES4
P1C1B0802PCES4	34	P1C2B0804PCES4



Approx. 17 g

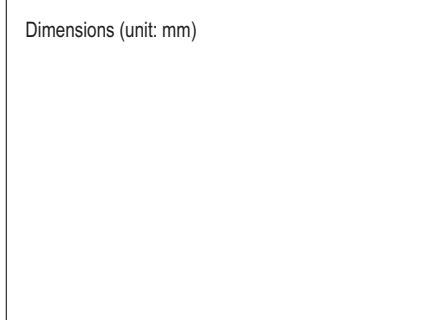
DC INDUCTIVE PROXIMITY SENSORS

Diameter
● Shielded ○ Non-shielded
Switching Distance Sn: mm
Housing Material
● With LED ○ Without LED



Operating Voltage	10-30VDC
Ripple	<10%
No Load Current	<10mA
Max. Load Current	200mA
Leakage Current	<0.01mA
Voltage Drop	<2.0V
Switching Frequency	1KHZ 500HZ
Response Time	0.2ms/0.2ms 0.5ms/0.5ms
Switching Hysteresis	<15%(Sr)
Repeat Accuracy	<1.0%(Sr)
Protection Category	IP67
Operating Temperature	-25°C - +70°C
Temperature Drift	<10%(Sr)
Short Circuit Protection	YES
Overload Trip Point	220mA
Material Active Face	POM

DC 3 wire 10-30V NPN N.O.	P1C1S0803NO3A2	1	P1C2S0806NO3A2
DC 3 wire 10-30V NPN N.C.	P1C1S0803NC3A2	2	P1C2S0806NC3A2
DC 3 wire 10-30V PNP N.O.	P1C1S0803PO3A2	3	P1C2S0806PO3A2
DC 3 wire 10-30V PNP N.C.	P1C1S0803PC3A2	4	P1C2S0806PC3A2
DC 4 wire 10-30V Changeover PNP (N.O. & N.C.)			
DC 4 wire 10-30V Changeover NPN (N.O. & N.C.)			
DC 2 wire 10-60V N.O.			
DC 2 wire 10-60V N.C.			
DC 3 wire 10-55V NPN N.O.			
DC 3 wire 10-55V NPN N.C.			
DC 3 wire 10-55V PNP N.O.			
DC 3 wire 10-55V PNP N.C.			
DC 3 wire 5-36V NPN N.O.			
DC 3 wire 5-36V NPN N.C.			
DC 3 wire 5-36V PNP N.O.			
DC 3 wire 5-36V PNP N.C.			
DC 4 wire 5-36V Changeover PNP (N.O & N.C.)			
DC 4 wire 5-36V Changeover NPN (N.O & N.C.)			



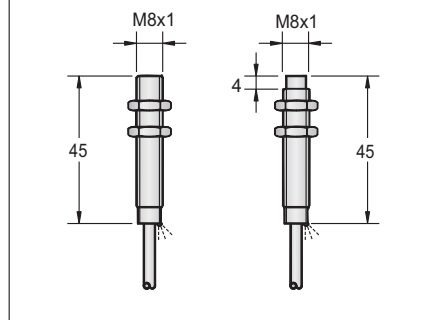
Cable 2M (PVC)	3 φ 3x0.15
Weight	Approx.40 g

M8	
●	○
3mm	6mm
Stainless steel or Nickel plated brass	
●	



Operating Voltage	10-30VDC
Ripple	<10%
No Load Current	<10mA
Max. Load Current	200mA
Leakage Current	<0.01mA
Voltage Drop	<2.0V
Switching Frequency	1KHZ 500HZ
Response Time	0.2ms/0.2ms 0.5ms/0.5ms
Switching Hysteresis	<15%(Sr)
Repeat Accuracy	<1.0%(Sr)
Protection Category	IP67
Operating Temperature	-25°C - +70°C
Temperature Drift	<10%(Sr)
Short Circuit Protection	YES
Overload Trip Point	220mA
Material Active Face	POM

DC 3 wire 10-30V NPN N.O.	P1C1S0803NO3A2	1	P1C2S0806NO3A2
DC 3 wire 10-30V NPN N.C.	P1C1S0803NC3A2	2	P1C2S0806NC3A2
DC 3 wire 10-30V PNP N.O.	P1C1S0803PO3A2	3	P1C2S0806PO3A2
DC 3 wire 10-30V PNP N.C.	P1C1S0803PC3A2	4	P1C2S0806PC3A2
DC 4 wire 10-30V Changeover PNP (N.O. & N.C.)			
DC 4 wire 10-30V Changeover NPN (N.O. & N.C.)			
DC 2 wire 10-60V N.O.			
DC 2 wire 10-60V N.C.			
DC 3 wire 10-55V NPN N.O.			
DC 3 wire 10-55V NPN N.C.			
DC 3 wire 10-55V PNP N.O.			
DC 3 wire 10-55V PNP N.C.			
DC 3 wire 5-36V NPN N.O.			
DC 3 wire 5-36V NPN N.C.			
DC 3 wire 5-36V PNP N.O.			
DC 3 wire 5-36V PNP N.C.			
DC 4 wire 5-36V Changeover PNP (N.O & N.C.)			
DC 4 wire 5-36V Changeover NPN (N.O & N.C.)			



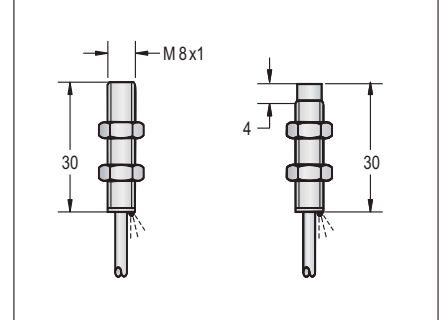
Cable 2M (PVC)	3 φ 3x0.15
Weight	Approx.40 g

M8	
●	○
3mm	6mm
Stainless steel or Nickel plated brass	
●	



Operating Voltage	10-30VDC
Ripple	<10%
No Load Current	<10mA
Max. Load Current	200mA
Leakage Current	<0.01mA
Voltage Drop	<2.0V
Switching Frequency	1KHZ 500HZ
Response Time	0.2ms/0.2ms 0.5ms/0.5ms
Switching Hysteresis	<15%(Sr)
Repeat Accuracy	<1.0%(Sr)
Protection Category	IP67
Operating Temperature	-25°C - +70°C
Temperature Drift	<10%(Sr)
Short Circuit Protection	YES
Overload Trip Point	220mA
Material Active Face	POM

DC 3 wire 10-30V NPN N.O.	P1C1S0803NO3S2	1	P1C2S0806NO3S2
DC 3 wire 10-30V NPN N.C.	P1C1S0803NC3S2	2	P1C2S0806NC3S2
DC 3 wire 10-30V PNP N.O.	P1C1S0803PO3S2	3	P1C2S0806PO3S2
DC 3 wire 10-30V PNP N.C.	P1C1S0803PC3S2	4	P1C2S0806PC3S2
DC 4 wire 10-30V Changeover PNP (N.O. & N.C.)			
DC 4 wire 10-30V Changeover NPN (N.O. & N.C.)			
DC 2 wire 10-60V N.O.			
DC 2 wire 10-60V N.C.			
DC 3 wire 10-55V NPN N.O.			
DC 3 wire 10-55V NPN N.C.			
DC 3 wire 10-55V PNP N.O.			
DC 3 wire 10-55V PNP N.C.			
DC 3 wire 5-36V NPN N.O.			
DC 3 wire 5-36V NPN N.C.			
DC 3 wire 5-36V PNP N.O.			
DC 3 wire 5-36V PNP N.C.			
DC 4 wire 5-36V Changeover PNP (N.O & N.C.)			
DC 4 wire 5-36V Changeover NPN (N.O & N.C.)			



Cable 2M (PVC)	3 φ 3x0.15
Weight	Approx.47 g

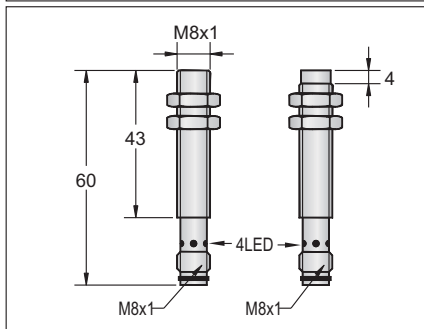
DC INDUCTIVE PROXIMITY SENSORS

M8	
●	○
3mm	6mm
Stainless steel or Nickel plated brass	
●	



10-30VDC	
<10%	
<10mA	
200mA	
<0.01mA	
<2.0V	
1KHZ	500HZ
0.2ms/0.2ms	0.5ms/0.5ms
<15%(Sr)	
<1.0%(Sr)	
IP67	
-25 °C - +70 °C	
<10%(Sr)	
YES	
220mA	
POM	

P1C1S0803NOPA3	25	P1C2S0806NOPA3
P1C1S0803NCPA3	25	P1C2S0806NCPA3
P1C1S0803POPA3	26	P1C2S0806POPA3
P1C1S0803PCPA3	26	P1C2S0806PCPA3



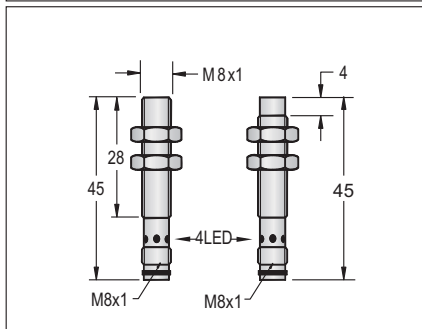
Approx. 15 g

M8	
●	○
3mm	6mm
Stainless steel or Nickel plated brass	
●	



10-30VDC	
<10%	
<10mA	
200mA	
<0.01mA	
<2.0V	
1KHZ	500HZ
0.2ms/0.2ms	0.5ms/0.5ms
<15%(Sr)	
<1.0%(Sr)	
IP67	
-25 °C - +70 °C	
<10%(Sr)	
YES	
220mA	
POM	

P1C1S0803NOPS3	25	P1C2S0806NOPS3
P1C1S0803NCPS3	25	P1C2S0806NCPS3
P1C1S0803POPS3	26	P1C2S0806POPS3
P1C1S0803PCPS3	26	P1C2S0806PCPS3



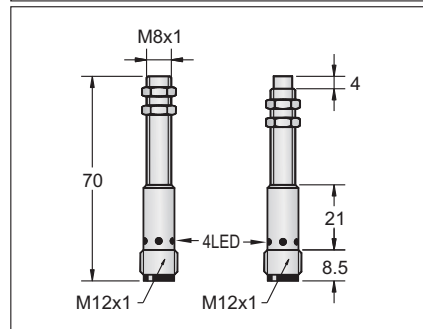
Approx. 12 g

M8	
●	○
3mm	6mm
Stainless steel or Nickel plated brass	
●	



10-30VDC	
<10%	
<10mA	
200mA	
<0.01mA	
<2.0V	
1KHZ	500HZ
0.2ms/0.2ms	0.5ms/0.5ms
<15%(Sr)	
<1.0%(Sr)	
IP67	
-25 °C - +70 °C	
<10%(Sr)	
YES	
220mA	
POM	

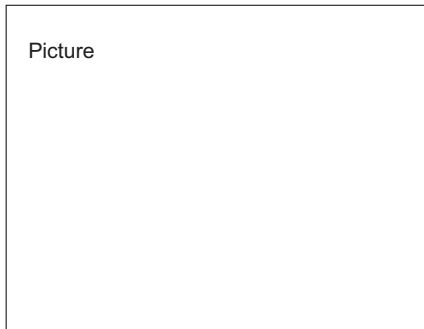
P1C1B0803NOEA4	31	P1C2B0806NOEA4
P1C1B0803NCEA4	32	P1C2B0806NCEA4
P1C1B0803POEA4	33	P1C2B0806POEA4
P1C1B0803PCEA4	34	P1C2B0806PCEA4



Approx. 22 g

DC INDUCTIVE PROXIMITY SENSORS

Diameter
● Shielded ○ Non-shielded
Switching Distance Sn: mm
Housing Material
● With LED ○ Without LED



Operating Voltage	10-30VDC
Ripple	<10%
No Load Current	<10mA
Max. Load Current	200mA
Leakage Current	<0.01mA
Voltage Drop	<2.0V
Switching Frequency	1KHZ 500HZ
Response Time	0.2ms/0.2ms 0.5ms/0.5ms
Switching Hysteresis	<15%(Sr)
Repeat Accuracy	<1.0%(Sr)
Protection Category	IP67
Operating Temperature	-25°C - +70°C
Temperature Drift	<10%(Sr)
Short Circuit Protection	YES
Overload Trip Point	220mA
Material Active Face	POM

DC 3 wire 10-30V NPN N.O.	P1C1B0803NOES4	31	P1C2B0806NOES4	1
DC 3 wire 10-30V NPN N.C.	P1C1B0803NCES4	32	P1C2B0806NCES4	2
DC 3 wire 10-30V PNP N.O.	P1C1B0803POES4	33	P1C2B0806POES4	3
DC 3 wire 10-30V PNP N.C.	P1C1B0803PCES4	34	P1C2B0806PCES4	4
DC 4 wire 10-30V Changeover PNP (N.O. & N.C.)				
DC 4 wire 10-30V Changeover NPN (N.O. & N.C.)				
DC 2 wire 10-60V N.O.				
DC 2 wire 10-60V N.C.				
DC 3 wire 10-55V NPN N.O.				
DC 3 wire 10-55V NPN N.C.				
DC 3 wire 10-55V PNP N.O.				
DC 3 wire 10-55V PNP N.C.				
DC 3 wire 5-36V NPN N.O.				
DC 3 wire 5-36V NPN N.C.				
DC 3 wire 5-36V PNP N.O.				
DC 3 wire 5-36V PNP N.C.				
DC 4 wire 5-36V Changeover PNP (N.O & N.C.)				
DC 4 wire 5-36V Changeover NPN (N.O & N.C.)				

Dimensions (unit: mm)

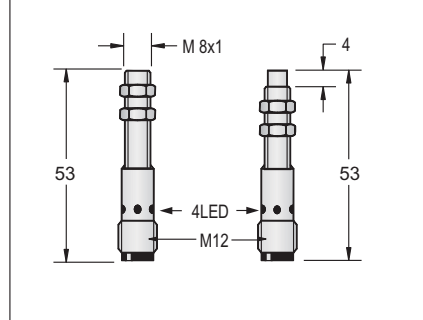
Cable 2M (PVC)
Weight

M8	
●	○
3 mm	6 mm
Stainless steel or Nickel plated brass	
●	



Operating Voltage	10-30VDC
Ripple	<10%
No Load Current	<10mA
Max. Load Current	200mA
Leakage Current	<0.01mA
Voltage Drop	<2.0V
Switching Frequency	1KHZ 500HZ
Response Time	0.2ms/0.2ms 0.5ms/0.5ms
Switching Hysteresis	<15%(Sr)
Repeat Accuracy	<1.0%(Sr)
Protection Category	IP67
Operating Temperature	-25°C - +70°C
Temperature Drift	<10%(Sr)
Short Circuit Protection	YES
Overload Trip Point	220mA
Material Active Face	POM

DC 3 wire 10-30V NPN N.O.	P1C1B0803NOES4	31	P1C2B0806NOES4	1
DC 3 wire 10-30V NPN N.C.	P1C1B0803NCES4	32	P1C2B0806NCES4	2
DC 3 wire 10-30V PNP N.O.	P1C1B0803POES4	33	P1C2B0806POES4	3
DC 3 wire 10-30V PNP N.C.	P1C1B0803PCES4	34	P1C2B0806PCES4	4
DC 4 wire 10-30V Changeover PNP (N.O. & N.C.)				
DC 4 wire 10-30V Changeover NPN (N.O. & N.C.)				
DC 2 wire 10-60V N.O.				
DC 2 wire 10-60V N.C.				
DC 3 wire 10-55V NPN N.O.				
DC 3 wire 10-55V NPN N.C.				
DC 3 wire 10-55V PNP N.O.				
DC 3 wire 10-55V PNP N.C.				
DC 3 wire 5-36V NPN N.O.				
DC 3 wire 5-36V NPN N.C.				
DC 3 wire 5-36V PNP N.O.				
DC 3 wire 5-36V PNP N.C.				
DC 4 wire 5-36V Changeover PNP (N.O & N.C.)				
DC 4 wire 5-36V Changeover NPN (N.O & N.C.)				



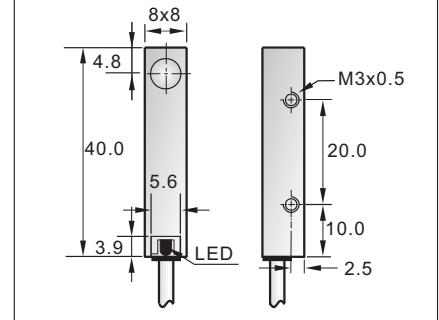
Weight	Approx. 17 g
--------	--------------

Q8	
●	
1 mm	
Nickel plated brass	
●	



Operating Voltage	10-30VDC / 5-36VDC
Ripple	<10%
No Load Current	<10mA
Max. Load Current	200mA
Leakage Current	<0.01mA
Voltage Drop	<1.5V
Switching Frequency	2KHZ
Response Time	0.1ms/0.1ms
Switching Hysteresis	<15%(Sr)
Repeat Accuracy	<1.0%(Sr)
Protection Category	IP67
Operating Temperature	-25°C - +70°C
Temperature Drift	<10%(Sr)
Short Circuit Protection	YES
Overload Trip Point	220mA
Material Active Face	POM

DC 3 wire 10-30V NPN N.O.	P1S1B8801NO3A2	1
DC 3 wire 10-30V NPN N.C.	P1S1B8801NC3A2	2
DC 3 wire 10-30V PNP N.O.	P1S1B8801PO3A2	3
DC 3 wire 10-30V PNP N.C.	P1S1B8801PC3A2	4
DC 4 wire 10-30V Changeover PNP (N.O. & N.C.)		
DC 4 wire 10-30V Changeover NPN (N.O. & N.C.)		
DC 2 wire 10-60V N.O.		
DC 2 wire 10-60V N.C.		
DC 3 wire 10-55V NPN N.O.		
DC 3 wire 10-55V NPN N.C.		
DC 3 wire 10-55V PNP N.O.		
DC 3 wire 10-55V PNP N.C.		
DC 3 wire 5-36V NPN N.O.		
DC 3 wire 5-36V NPN N.C.		
DC 3 wire 5-36V PNP N.O.		
DC 3 wire 5-36V PNP N.C.		
DC 4 wire 5-36V Changeover PNP (N.O & N.C.)		
DC 4 wire 5-36V Changeover NPN (N.O & N.C.)		



Weight	3 φ 3x0.15 Approx. 38 g
--------	----------------------------