

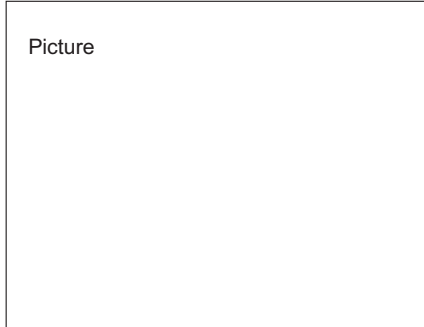


# DC INDUCTIVE PROXIMITY SENSOR SQUARE TYPE

Diameter
● Shielded ○ Non-shielded
Switching Distance Sn: mm
Housing Material
● With LED ○ Without LED

Q 18C
○
4 mm
POM RESIN
●

Q 18C
○
4 mm
POM RESIN
●



Operating Voltage
Ripple
No Load Current
Max. Load Current
Leakage Current
Voltage Drop
Switching Frequency
Response Time
Switching Hysteresis
Repeat Accuracy
Protection Category
Operating Temperature
Temperature Drift
Short Circuit Protection
Overload Trip Point
Material Active Face

10-30VDC / 5-36VDC/10-55VDC
<10%
<10mA
200mA
<0.01mA
<1.5V
500HZ
0.5ms/0.5ms
<15%(Sr)
<1.0%(Sr)
IP67
-25 °C - +70 °C
<10%(Sr)
YES
220mA
POM

10-30VDC / 5-36VDC/10-55VDC
<10%
<10mA
200mA
<0.01mA
<1.5V
500HZ
0.5ms/0.5ms
<15%(Sr)
<1.0%(Sr)
IP67
-25 °C - +70 °C
<10%(Sr)
YES
220mA
POM

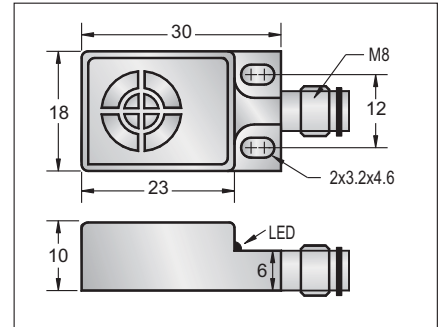
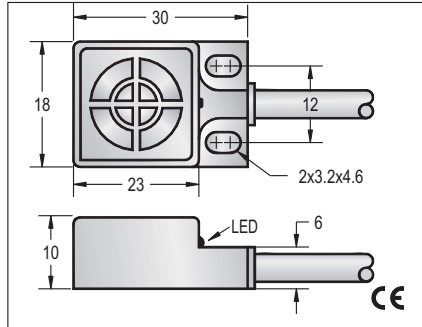
DC 3 wire 10-30V NPN N.O.
DC 3 wire 10-30V NPN N.C.
DC 3 wire 10-30V PNP N.O.
DC 3 wire 10-30V PNP N.C.
DC 4 wire 10-30V Changeover PNP (N.O. & N.C.)
DC 4 wire 10-30V Changeover NPN (N.O. & N.C.)
DC 2 wire 10-60V N.O. *
DC 2 wire 10-60V N.C. *
DC 3 wire 10-55V NPN N.O.
DC 3 wire 10-55V NPN N.C.
DC 3 wire 10-55V PNP N.O.
DC 3 wire 10-55V PNP N.C.
DC 3 wire 5-36V NPN N.O.
DC 3 wire 5-36V NPN N.C.
DC 3 wire 5-36V PNP N.O.
DC 3 wire 5-36V PNP N.C.
DC 4 wire 5-36V Changeover PNP (N.O & N.C.)
DC 4 wire 5-36V Changeover NPN (N.O & N.C.)

P1S2P18C04N03A2	1
P1S2P18C04NC3A2	2
P1S2P18C04PO3A2	3
P1S2P18C04PC3A2	4
P3S2P18C04N03A2	1
P3S2P18C04NC3A2	2
P3S2P18C04PO3A2	3
P3S2P18C04PC3A2	4
P2S2P18C04N03A2	1
P2S2P18C04NC3A2	2
P2S2P18C04PO3A2	3
P2S2P18C04PC3A2	4

P1S2P18C04N0PA3	25
P1S2P18C04NCPA3	25
P1S2P18C04POPA3	26
P1S2P18C04PCPA3	26
P3S2P18C04N0PA3	25
P3S2P18C04NCPA3	25
P3S2P18C04POPA3	26
P3S2P18C04PCPA3	26
P2S2P18C04N0PA3	25
P2S2P18C04NCPA3	25
P2S2P18C04POPA3	26
P2S2P18C04PCPA3	26

Dimensions (unit: mm)

\* : DC 2 wire 10-60V specifications see page 3-05. Other is same.



Cable 2M (PVC)
Weight

4 φ 3x0.15
Approx.46 g

Approx.21 g
-------------