

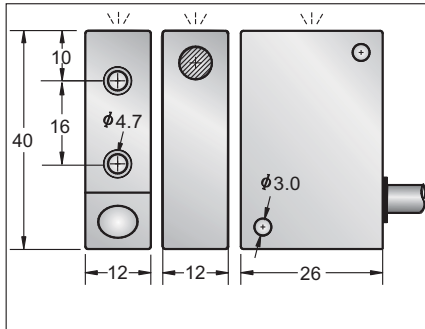
# DC INDUCTIVE PROXIMITY SENSOR 5 WAY ROTATABLE SENSING HEAD

Q25x40x12	
●	○
2 mm	4 mm
PBT RESIN	
●	



10-30VDC / 10-55VDC / 10-60VDC	
<10%	
<10mA	
200mA	
<0.01mA	
<1.5V	
300HZ	100HZ
0.5ms/0.5ms	1ms/1ms
<15%(Sr)	
<1.0%(Sr)	
IP67	
-25 °C - +70 °C	
<10%(Sr)	
YES	
220mA	
PBT	

P1S1P4002NO3A2	1	P1S2P4004NO3A2	
P1S1P4002NC3A2	2	P1S2P4004NC3A2	
P1S1P4002PO3A2	3	P1S2P4004PO3A2	
P1S1P4002PC3A2	4	P1S2P4004PC3A2	
P1S1P4002PS4A2	6	P1S2P4004PS4A2	
P1S1P4002NS4A2	5	P1S2P4004NS4A2	
P4S1P4002CO2A2	7	P4S2P4004CO2A2	
P4S1P4002CC2A2	8	P4S2P4004CC2A2	
P3S1P4002NO3A2	1	P3S2P4004NO3A2	
P3S1P4002NC3A2	2	P3S2P4004NC3A2	
P3S1P4002PO3A2	3	P3S2P4004PO3A2	
P3S1P4002PC3A2	4	P3S2P4004PC3A2	



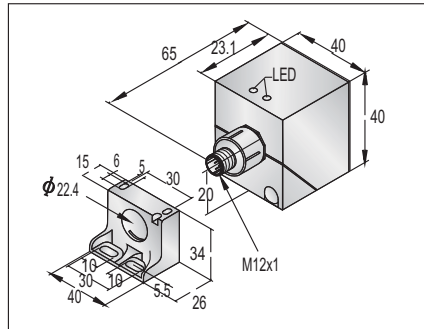
4.0  $\phi$  3x0.15, 4x0.15, 2x0.34  
Approx. 133 g

Q40s	
●	
15 mm	
PBT RESIN	
●	



10-30VDC / 10-55VDC / 10-60VDC	
<10%	
<10mA	
200mA	
<0.01mA	
<1.5V	
100HZ	
1ms/1ms	
<15%(Sr)	
<1.0%(Sr)	
IP67	
-25 °C - +75 °C	
<10%(Sr)	
YES	
220mA	
PBT	

P1S1P4015NOES4	31
P1S1P4015NCES4	32
P1S1P4015POES4	33
P1S1P4015PCES4	34
P1S1P4015PSES4	36
P1S1P4015NSES4	35
P4S1P4015COES4	37
P4S1P4015CCES4	38
P3S1P4015NOES4	31
P3S1P4015NCES4	32
P3S1P4015POES4	33
P3S1P4015PCES4	34



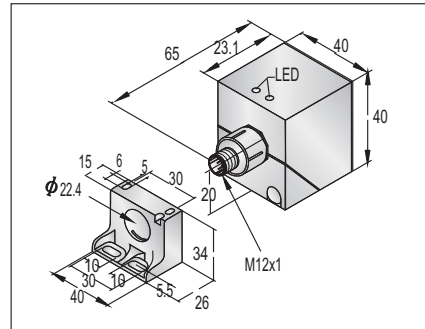
Approx. 170 g

Q40s	
○	
30 mm	
PBT RESIN	
●	



10-30VDC / 10-55VDC / 10-60VDC	
<10%	
<10mA	
200mA	
<0.01mA	
<1.5V	
100HZ	
1ms/1ms	
<15%(Sr)	
<1.0%(Sr)	
IP67	
-25 °C - +75 °C	
<10%(Sr)	
YES	
220mA	
PBT	

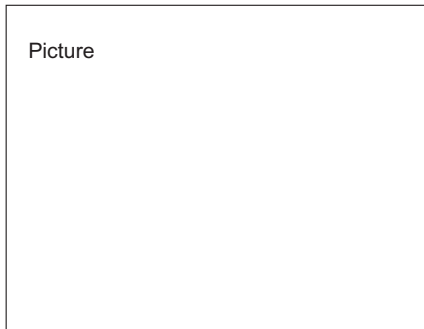
P1S2P4030NOES4	31
P1S2P4030NCES4	32
P1S2P4030POES4	33
P1S2P4030PCES4	34
P1S2P4030PSES4	36
P1S2P4030NSES4	35
P4S2P4030COES4	37
P4S2P4030CCES4	38
P3S2P4030NOES4	31
P3S2P4030NCES4	32
P3S2P4030POES4	33
P3S2P4030PCES4	34



Approx. 170 g

# DC INDUCTIVE PROXIMITY SENSOR 5 WAY ROTATABLE SENSING HEAD

Diameter
● Shielded    ○ Non-shielded
Switching Distance Sn: mm
Housing Material
● With LED    ○ Without LED



Operating Voltage
Ripple
No Load Current
Max. Load Current
Leakage Current
Voltage Drop
Switching Frequency
Response Time
Switching Hysteresis
Repeat Accuracy
Protection Category
Operating Temperature
Temperature Drift
Short Circuit Protection
Overload Trip Point
Material Active Face

DC 3 wire 10-30V NPN N.O.
DC 3 wire 10-30V NPN N.C.
DC 3 wire 10-30V PNP N.O.
DC 3 wire 10-30V PNP N.C.
DC 4 wire 10-30V Changeover PNP (N.O. & N.C.)
DC 4 wire 10-30V Changeover NPN (N.O. & N.C.)
DC 2 wire 10-60V N.O. *
DC 2 wire 10-60V N.C. *
DC 3 wire 10-55V NPN N.O.
DC 3 wire 10-55V NPN N.C.
DC 3 wire 10-55V PNP N.O.
DC 3 wire 10-55V PNP N.C.
DC 3 wire 5-36V NPN N.O.
DC 3 wire 5-36V NPN N.C.
DC 3 wire 5-36V PNP N.O.
DC 3 wire 5-36V PNP N.C.
DC 4 wire 5-36V Changeover PNP (N.O & N.C.)
DC 4 wire 5-36V Changeover NPN (N.O & N.C.)

Dimensions (unit: mm)

\* : DC 2wire 10-60V specifications see page 3-05. Other is same.

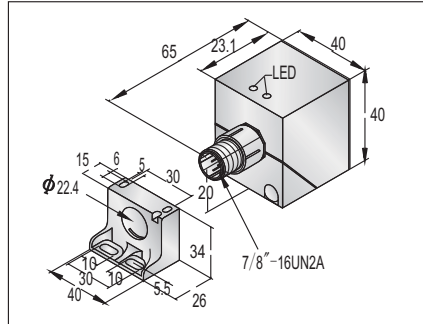
Cable 2M (PVC)
Weight

Q40s
●
15 mm
PBT RESIN
●



10-30VDC / 10-55VDC / 10-60VDC
<10%
<10mA
200mA
<0.01mA
<1.5V
100HZ
1ms/1ms
<15%(Sr)
<1.0%(Sr)
IP67
-25 °C - +75 °C
<10%(Sr)
YES
220mA
PBT

P1S1P4015NOZS4	43
P1S1P4015NCZS4	44
P1S1P4015POZS4	45
P1S1P4015PCZS4	46
P1S1P4015PSZS4	48
P1S1P4015NSZS4	47
P4S1P4015COZS4	49
P4S1P4015CCZS4	50
P3S1P4015NOZS4	43
P3S1P4015NCZS4	44
P3S1P4015POZS4	45
P3S1P4015PCZS4	46



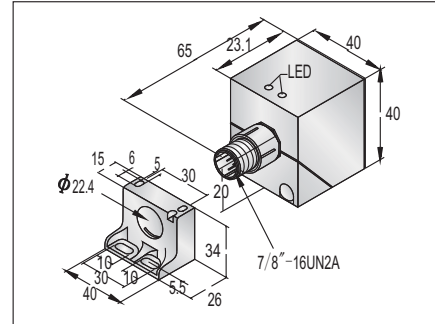
Approx.170 g
--------------

Q40s
○
30 mm
PBT RESIN
●



10-30VDC / 10-55VDC / 10-60VDC
<10%
<10mA
200mA
<0.01mA
<1.5V
100HZ
1ms/1ms
<15%(Sr)
<1.0%(Sr)
IP67
-25 °C - +75 °C
<10%(Sr)
YES
220mA
PBT

P1S2P4030NOZS4	43
P1S2P4030NCZS4	44
P1S2P4030POZS4	45
P1S2P4030PCZS4	46
P1S2P4030PSZS4	48
P1S2P4030NSZS4	47
P4S2P4030COZS4	49
P4S2P4030CCZS4	50
P3S2P4030NOZS4	43
P3S2P4030NCZS4	44
P3S2P4030POZS4	45
P3S2P4030PCZS4	46



Approx.170 g
--------------

# DC INDUCTIVE PROXIMITY SENSOR 5 WAY ROTATABLE SENSING HEAD

Q40
●
15 mm
PBT RESIN
●

Q40
●
20 mm
PBT RESIN
●

Q40
○
30 mm
PBT RESIN
●



10-30VDC / 10-55VDC / 10-60VDC	
<10%	
<10mA	
200mA	
<0.01mA	
<1.5V	
100HZ	
1ms/1ms	
<15%(Sr)	
<1.0%(Sr)	
IP67	
-25 °C - +75 °C	
<10%(Sr)	
YES	
220mA	
PBT	

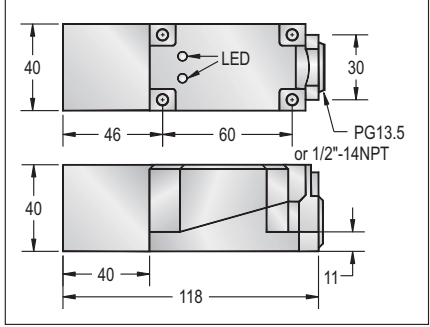
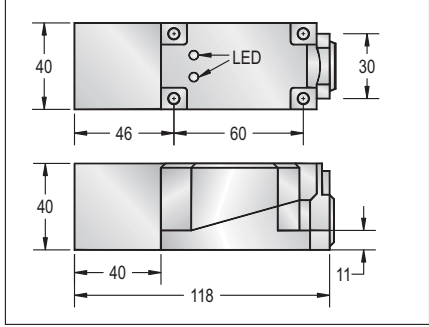
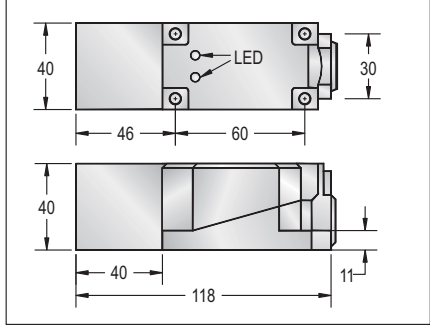
10-30VDC / 10-55VDC / 10-60VDC	
<10%	
<10mA	
200mA	
<0.01mA	
<1.5V	
100HZ	
1ms/1ms	
<15%(Sr)	
<1.0%(Sr)	
IP67	
-25 °C - +75 °C	
<10%(Sr)	
YES	
220mA	
PBT	

10-30VDC / 10-55VDC / 10-60VDC	
<10%	
<10mA	
200mA	
<0.01mA	
<1.5V	
100HZ	
1ms/1ms	
<15%(Sr)	
<1.0%(Sr)	
IP67	
-25 °C - +75 °C	
<10%(Sr)	
YES	
220mA	
PBT	

P1S1P4015NO3A	1
P1S1P4015NC3A	2
P1S1P4015PO3A	3
P1S1P4015PC3A	4
P1S1P4015PS4A	6
P1S1P4015NS4A	5
P4S1P4015CO2A	7
P4S1P4015CC2A	8
P3S1P4015NO3A	1
P3S1P4015NC3A	2
P3S1P4015PO3A	3
P3S1P4015PC3A	4

P1S2P4020NO3A	1
P1S2P4020NC3A	2
P1S2P4020PO3A	3
P1S2P4020PC3A	4
P1S2P4020PS4A	6
P1S2P4020NS4A	5
P4S2P4020CO2A	7
P4S2P4020CC2A	8
P3S2P4020NO3A	1
P3S2P4020NC3A	2
P3S2P4020PO3A	3
P3S2P4020PC3A	4

P1S2P4030NO3A	1
P1S2P4030NC3A	2
P1S2P4030PO3A	3
P1S2P4030PC3A	4
P1S2P4030PS4A	6
P1S2P4030NS4A	5
P4S2P4030CO2A	7
P4S2P4030CC2A	8
P3S2P4030NO3A	1
P3S2P4030NC3A	2
P3S2P4030PO3A	3
P3S2P4030PC3A	4



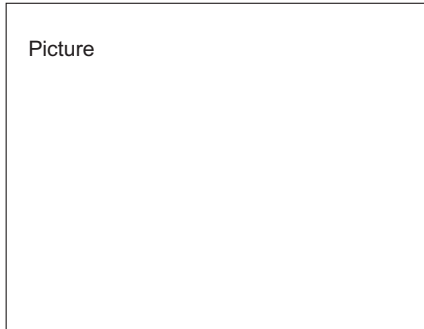
Approx.262 g

Approx.262 g

Approx.262 g

# DC INDUCTIVE PROXIMITY SENSOR 5 WAY ROTATABL SENSING HEAD

Diameter
● Shielded ○ Non-shielded
Switching Distance Sn: mm
Housing Material
● With LED ○ Without LED



Operating Voltage
Ripple
No Load Current
Max. Load Current
Leakage Current
Voltage Drop
Switching Frequency
Response Time
Switching Hysteresis
Repeat Accuracy
Protection Category
Operating Temperature
Temperature Drift
Short Circuit Protection
Overload Trip Point
Material Active Face

DC 3 wire 10-30V NPN N.O.
DC 3 wire 10-30V NPN N.C.
DC 3 wire 10-30V PNP N.O.
DC 3 wire 10-30V PNP N.C.
DC 4 wire 10-30V Changeover PNP (N.O. & N.C.)
DC 4 wire 10-30V Changeover NPN (N.O. & N.C.)
DC 2 wire 10-60V N.O. *
DC 2 wire 10-60V N.C. *
DC 3 wire 10-55V NPN N.O.
DC 3 wire 10-55V NPN N.C.
DC 3 wire 10-55V PNP N.O.
DC 3 wire 10-55V PNP N.C.
DC 3 wire 5-36V NPN N.O.
DC 3 wire 5-36V NPN N.C.
DC 3 wire 5-36V PNP N.O.
DC 3 wire 5-36V PNP N.C.
DC 4 wire 5-36V Changeover PNP (N.O. & N.C.)
DC 4 wire 5-36V Changeover NPN (N.O. & N.C.)

Dimensions (unit: mm)

\* : DC 2wire 10-60V specifications see page 3-05. Other is same.

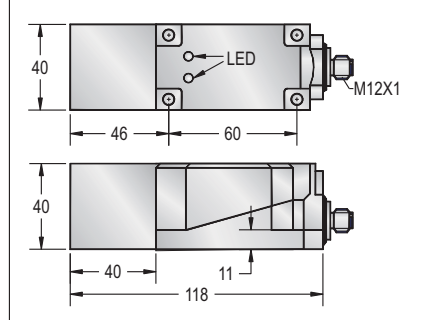
Cable 2M (PVC)
Weight

Q40
●
15 mm
PBT RESIN
●



10-30VDC / 10-55VDC / 10-60VDC
<10%
<10mA
200mA
<0.01mA
<1.5V
100HZ
1ms/1ms
<15%(Sr)
<1.0%(Sr)
IP67
-25 °C - +75 °C
<10%(Sr)
YES
220mA
PBT

P1S1P4015NOEA4	31
P1S1P4015NCEA4	32
P1S1P4015POEA4	33
P1S1P4015PCEA4	34
P1S1P4015PSEA4	36
P1S1P4015NSEA4	35
P4S1P4015COEA4	37
P4S1P4015CCEA4	38
P3S1P4015NOEA4	31
P3S1P4015NCEA4	32
P3S1P4015POEA4	33
P3S1P4015PCEA4	34



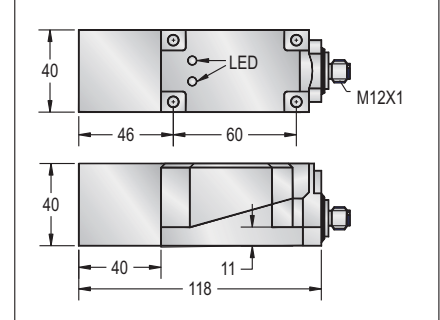
Approx.290 g
--------------

Q40
○
20 mm
PBT RESIN
●



10-30VDC / 10-55VDC / 10-60VDC
<10%
<10mA
200mA
<0.01mA
<1.5V
100HZ
1ms/1ms
<15%(Sr)
<1.0%(Sr)
IP67
-25 °C - +75 °C
<10%(Sr)
YES
220mA
PBT

P1S2P4020NOEA4	31
P1S2P4020NCEA4	32
P1S2P4020POEA4	33
P1S2P4020PCEA4	34
P1S2P4020PSEA4	36
P1S2P4020NSEA4	35
P4S2P4020COEA4	37
P4S2P4020CCEA4	38
P3S2P4020NOEA4	31
P3S2P4020NCEA4	32
P3S2P4020POEA4	33
P3S2P4020PCEA4	34



Approx.290 g
--------------

# DC INDUCTIVE PROXIMITY SENSOR 5 WAY ROTATABL SENSING HEAD

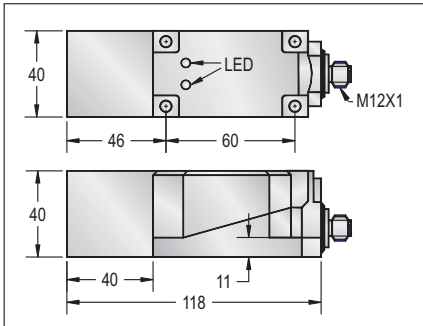
Q40
○
30 mm
PBT RESIN
●



CE

10-30VDC / 10-55VDC / 10-60VDC
<10%
<10mA
200mA
<0.01mA
<1.5V
100HZ
1ms/1ms
<15%(Sr)
<1.0%(Sr)
IP67
-25 °C - +75 °C
<10%(Sr)
YES
220mA
PBT

P1S2P4030NOEA4	31
P1S2P4030NCEA4	32
P1S2P4030POEA4	33
P1S2P4030PCEA4	34
P1S2P4030PSEA4	36
P1S2P4030NSEA4	35
P4S2P4030COEA4	37
P4S2P4030CCEA4	38
P3S2P4030NOEA4	31
P3S2P4030NCEA4	32
P3S2P4030POEA4	33
P3S2P4030PCEA4	34



Approx.290 g

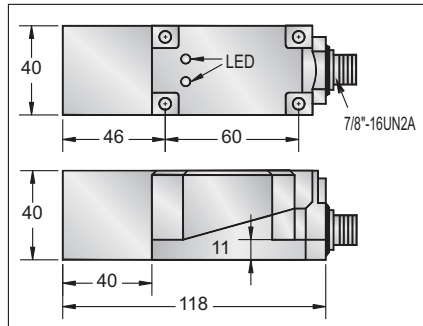
Q40
●
15 mm
PBT RESIN
●



CE

10-30VDC / 10-55VDC / 10-60VDC
<10%
<10mA
200mA
<0.01mA
<1.5V
100HZ
1ms/1ms
<15%(Sr)
<1.0%(Sr)
IP67
-25 °C - +75 °C
<10%(Sr)
YES
220mA
PBT

P1S1P4015NOZA4	43
P1S1P4015NCZA4	44
P1S1P4015POZA4	45
P1S1P4015PCZA4	46
P1S1P4015PSZA4	48
P1S1P4015NSZA4	47
P4S1P4015COZA4	49
P4S1P4015CCZA4	50
P3S1P4015NOZA4	43
P3S1P4015NCZA4	44
P3S1P4015POZA4	45
P3S1P4015PCZA4	46



Approx.295 g

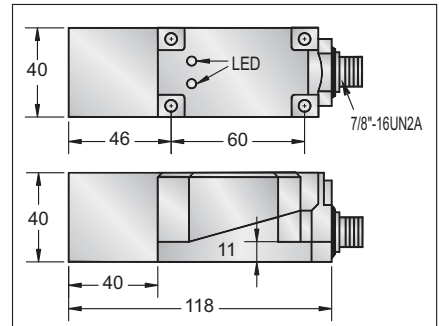
Q40
●
20 mm
PBT RESIN
●



CE

10-30VDC / 10-55VDC / 10-60VDC
<10%
<10mA
200mA
<0.01mA
<1.5V
100HZ
1ms/1ms
<15%(Sr)
<1.0%(Sr)
IP67
-25 °C - +75 °C
<10%(Sr)
YES
220mA
PBT

P1S2P4020NOZA4	43
P1S2P4020NCZA4	44
P1S2P4020POZA4	45
P1S2P4020PCZA4	46
P1S2P4020PSZA4	48
P1S2P4020NSZA4	47
P4S2P4020COZA4	49
P4S2P4020CCZA4	50
P3S2P4020NOZA4	43
P3S2P4020NCZA4	44
P3S2P4020POZA4	45
P3S2P4020PCZA4	46



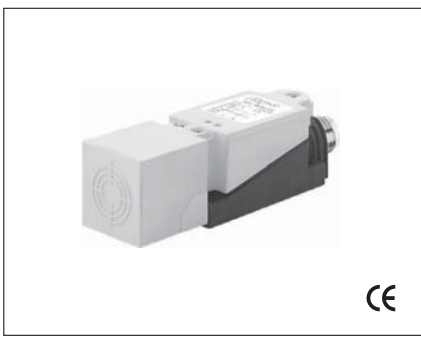
Approx.295 g

# DC INDUCTIVE PROXIMITY SENSOR 5 WAY ROTATABLE SENSING HEAD

Diameter
● Shielded    ○ Non-shielded
Switching Distance Sn: mm
Housing Material
● With LED    ○ Without LED

Q40
○
30 mm
PBT RESIN
●

Picture



Operating Voltage
Ripple
No Load Current
Max. Load Current
Leakage Current
Voltage Drop
Switching Frequency
Response Time
Switching Hysteresis
Repeat Accuracy
Protection Category
Operating Temperature
Temperature Drift
Short Circuit Protection
Overload Trip Point
Material Active Face

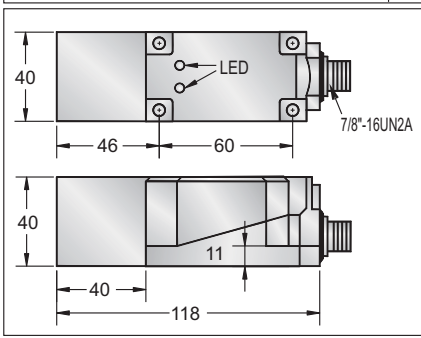
10-30VDC / 10-55VDC / 10-60VDC
<10%
<10mA
200mA
<0.01mA
<1.5V
100HZ
1ms/1ms
<15%(Sr)
<1.0%(Sr)
IP67
-25 °C - +75 °C
<10%(Sr)
YES
220mA
PBT

DC 3 wire 10-30V NPN N.O.
DC 3 wire 10-30V NPN N.C.
DC 3 wire 10-30V PNP N.O.
DC 3 wire 10-30V PNP N.C.
DC 4 wire 10-30V Changeover PNP (N.O. & N.C.)
DC 4 wire 10-30V Changeover NPN (N.O. & N.C.)
DC 2 wire 10-60V N.O. *
DC 2 wire 10-60V N.C. *
DC 3 wire 10-55V NPN N.O.
DC 3 wire 10-55V NPN N.C.
DC 3 wire 10-55V PNP N.O.
DC 3 wire 10-55V PNP N.C.
DC 3 wire 5-36V NPN N.O.
DC 3 wire 5-36V NPN N.C.
DC 3 wire 5-36V PNP N.O.
DC 3 wire 5-36V PNP N.C.
DC 4 wire 5-36V Changeover PNP (N.O & N.C.)
DC 4 wire 5-36V Changeover NPN (N.O & N.C.)

<b>P1S2P4030NOZA4</b>	<b>43</b>
<b>P1S2P4030NCZA4</b>	<b>44</b>
<b>P1S2P4030POZA4</b>	<b>45</b>
<b>P1S2P4030PCZA4</b>	<b>46</b>
<b>P1S2P4030PSZA4</b>	<b>48</b>
<b>P1S2P4030NSZA4</b>	<b>47</b>
<b>P4S2P4030COZA4</b>	<b>49</b>
<b>P4S2P4030CCZA4</b>	<b>50</b>
<b>P3S2P4030NOZA4</b>	<b>43</b>
<b>P3S2P4030NCZA4</b>	<b>44</b>
<b>P3S2P4030POZA4</b>	<b>45</b>
<b>P3S2P4030PCZA4</b>	<b>46</b>

Dimensions (unit: mm)

\* : DC 2wire 10-60V specifications see page 3-05. Other is same.



Cable 2M (PVC)
Weight

Approx.295 g
--------------