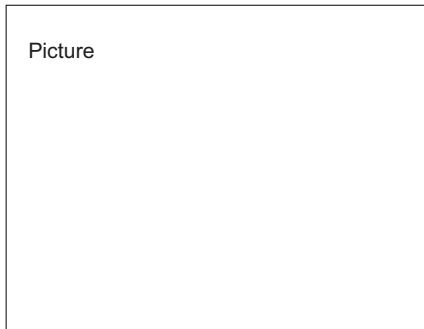


# DC INDUCTIVE PROXIMITY SENSORS

Diameter
● Shielded    ○ Non-shielded
Switching Distance Sn: mm
Housing Material
● With LED    ○ Without LED



Operating Voltage
Ripple
No Load Current
Max. Load Current
Leakage Current
Voltage Drop
Switching Frequency
Response Time
Switching Hysteresis
Repeat Accuracy
Protection Category
Operating Temperature
Temperature Drift
Short Circuit Protection
Overload Trip Point
Material Active Face

DC 3 wire 10-30V NPN N.O.
DC 3 wire 10-30V NPN N.C.
DC 3 wire 10-30V PNP N.O.
DC 3 wire 10-30V PNP N.C.
DC 4 wire 10-30V Changeover PNP (N.O. & N.C.)
DC 4 wire 10-30V Changeover NPN (N.O. & N.C.)
DC 2 wire 10-60V N.O.
DC 2 wire 10-60V N.C.
DC 3 wire 10-55V NPN N.O.
DC 3 wire 10-55V NPN N.C.
DC 3 wire 10-55V PNP N.O.
DC 3 wire 10-55V PNP N.C.
DC 3 wire 5-36V NPN N.O.
DC 3 wire 5-36V NPN N.C.
DC 3 wire 5-36V PNP N.O.
DC 3 wire 5-36V PNP N.C.
DC 4 wire 5-36V Changeover PNP (N.O. & N.C.)
DC 4 wire 5-36V Changeover NPN (N.O. & N.C.)

Dimensions (unit: mm)
-----------------------

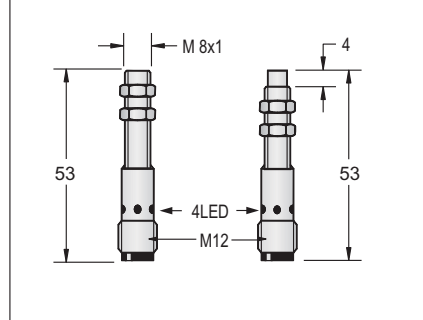
Cable 2M (PVC)
Weight

M8	
●	○
3 mm	6 mm
Stainless steel or Nickel plated brass	
●	



Operating Voltage
Ripple
No Load Current
Max. Load Current
Leakage Current
Voltage Drop
Switching Frequency
Response Time
Switching Hysteresis
Repeat Accuracy
Protection Category
Operating Temperature
Temperature Drift
Short Circuit Protection
Overload Trip Point
Material Active Face

P1C1B0803NOES4	31	P1C2B0806NOES4
P1C1B0803NCES4	32	P1C2B0806NCES4
P1C1B0803POES4	33	P1C2B0806POES4
P1C1B0803PCES4	34	P1C2B0806PCES4



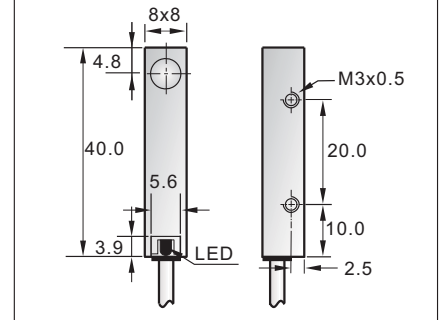
Approx. 17 g
--------------

Q8
●
1 mm
Nickel plated brass
●



Operating Voltage
Ripple
No Load Current
Max. Load Current
Leakage Current
Voltage Drop
Switching Frequency
Response Time
Switching Hysteresis
Repeat Accuracy
Protection Category
Operating Temperature
Temperature Drift
Short Circuit Protection
Overload Trip Point
Material Active Face

P1S1B8801NO3A2	1
P1S1B8801NC3A2	2
P1S1B8801PO3A2	3
P1S1B8801PC3A2	4
P2S1B8801NO3A2	1
P2S1B8801NC3A2	2
P2S1B8801PO3A2	3
P2S1B8801PC3A2	4

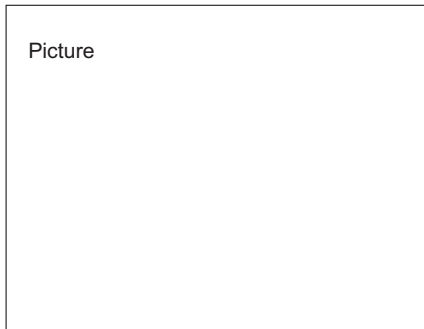


3 φ 3x0.15
Approx. 38 g



# DC INDUCTIVE PROXIMITY SENSORS

Diameter
● Shielded ○ Non-shielded
Switching Distance Sn: mm
Housing Material
● With LED ○ Without LED



Operating Voltage
Ripple
No Load Current
Max. Load Current
Leakage Current
Voltage Drop
Switching Frequency
Response Time
Switching Hysteresis
Repeat Accuracy
Protection Category
Operating Temperature
Temperature Drift
Short Circuit Protection
Overload Trip Point
Material Active Face

DC 3 wire 10-30V NPN N.O.
DC 3 wire 10-30V NPN N.C.
DC 3 wire 10-30V PNP N.O.
DC 3 wire 10-30V PNP N.C.
DC 4 wire 10-30V Changeover PNP (N.O. & N.C.)
DC 4 wire 10-30V Changeover NPN (N.O. & N.C.)
DC 2 wire 10-60V N.O.
DC 2 wire 10-60V N.C.
DC 3 wire 10-55V NPN N.O.
DC 3 wire 10-55V NPN N.C.
DC 3 wire 10-55V PNP N.O.
DC 3 wire 10-55V PNP N.C.
DC 3 wire 5-36V NPN N.O.
DC 3 wire 5-36V NPN N.C.
DC 3 wire 5-36V PNP N.O.
DC 3 wire 5-36V PNP N.C.
DC 4 wire 5-36V Changeover PNP (N.O & N.C.)
DC 4 wire 5-36V Changeover NPN (N.O & N.C.)

Dimensions (unit: mm)
-----------------------

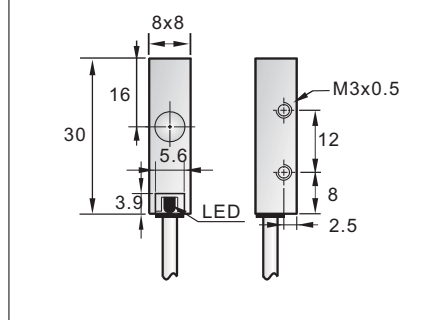
Cable 2M (PVC)
Weight

Q8
●
1 mm
Nickel plated brass
●



10-30VDC \ 5-36VDC
<10%
<10mA
200mA
<0.01mA
<1.5V
2KHZ
0.1ms/0.1ms
<15%(Sr)
<1.0%(Sr)
IP67
-25°C - +70°C
<10%(Sr)
YES
220mA
POM

P1S1B8801N03S2M	1
P1S1B8801NC3S2M	2
P1S1B8801PO3S2M	3
P1S1B8801PC3S2M	4
P2S1B8801N03S2M	1
P2S1B8801NC3S2M	2
P2S1B8801PO3S2M	3
P2S1B8801PC3S2M	4



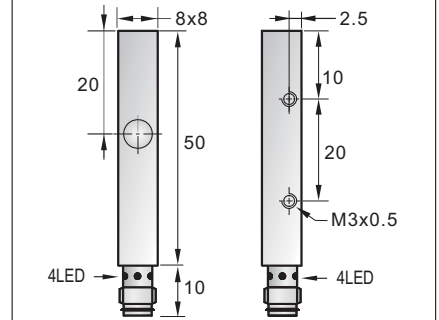
3 φ 3x0.15
Approx.38 g

Q8
●
1 mm
Nickel plated brass
●



10-30VDC / 5-36VDC
<10%
<10mA
200mA
<0.01mA
<1.5V
2KHZ
0.1ms/0.1ms
<15%(Sr)
<1.0%(Sr)
IP67
-25°C - +70°C
<10%(Sr)
YES
220mA
POM

P1S1B8801NOPA3M	25
P1S1B8801NCPA3M	25
P1S1B8801POPA3M	26
P1S1B8801PCPA3M	26
P2S1B8801NOPA3M	25
P2S1B8801NCPA3M	25
P2S1B8801POPA3M	26
P2S1B8801PCPA3M	26



Approx.38 g
-------------









