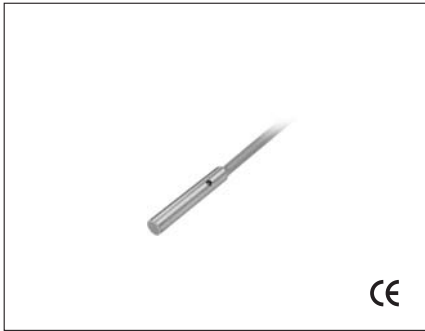


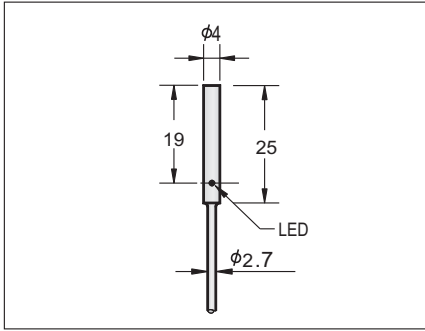
# DC ULTRA-MINI INDUCTIVE PROXIMITY SENSORS

$\phi 4$
●
0.8 mm
Stainless steel
●



10-30VDC
<10%
<10mA
200mA
<0.01mA
<1.5V
2KHZ
0.1ms/0.1ms
<15%(Sr)
<1.0%(Sr)
IP67
-25 °C - +70 °C
<10%(Sr)
YES
220mA
POM

P1D1S040.8NO3A2	1
P1D1S040.8NC3A2	2
P1D1S040.8PO3A2	3
P1D1S040.8PC3A2	4



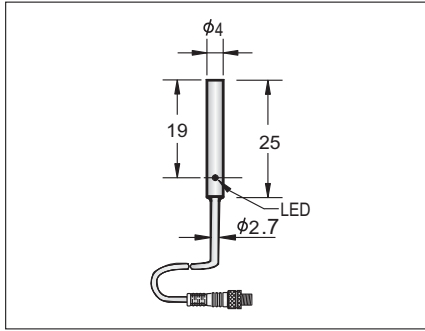
2.7 $\phi$ 3x0.15
approx.25 g

$\phi 4$
●
0.8 mm
Stainless steel
●



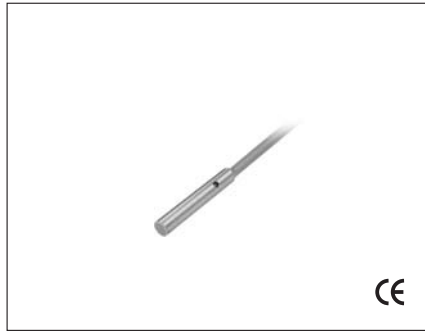
10-30VDC
<10%
<10mA
200mA
<0.01mA
<1.5V
2KHZ
0.1ms/0.1ms
<15%(Sr)
<1.0%(Sr)
IP67
-25 °C - +70 °C
<10%(Sr)
YES
220mA
POM

P1D1S040.8NOTA3	25
P1D1S040.8NCTA3	25
P1D1S040.8POTA3	26
P1D1S040.8PCTA3	26



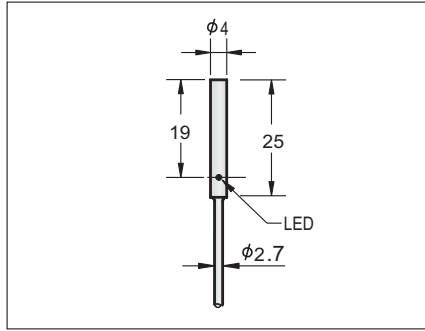
2.7 $\phi$ 3x0.15
approx.25 g

$\phi 4$
●
1.5 mm
Stainless steel
●





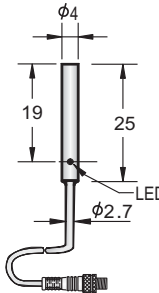
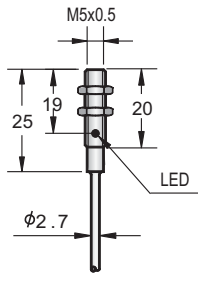
10-30VDC
<10%
<10mA
200mA
<0.01mA
<1.5V
2KHZ
0.1ms/0.1ms
<15%(Sr)
<1.0%(Sr)
IP67
-25 °C - +70 °C
<10%(Sr)
YES
220mA
POM

P1D1S041.5NO3A2	1
P1D1S041.5NC3A2	2
P1D1S041.5PO3A2	3
P1D1S041.5PC3A2	4



2.7 $\phi$ 3x0.15
approx.25 g

# DC ULTRA-MINI INDUCTIVE PROXIMITY SENSORS

Diameter	$\phi 4$	M5
● Shielded    ○ Non-shielded	●	●
Switching Distance Sn: mm	1.5 mm	0.8 mm
Housing Material	Stainless steel	Stainless steel
● With LED    ○ Without LED	●	●
Picture	 CE	 CE
Operating Voltage	10-30VDC	10-30VDC
Ripple	<10%	<10%
No Load Current	<10mA	<10mA
Max. Load Current	200mA	200mA
Leakage Current	<0.01mA	<0.01mA
Voltage Drop	<1.5V	<1.5V
Switching Frequency	2KHZ	2KHZ
Response Time	0.1ms/0.1ms	0.1ms/0.1ms
Switching Hysteresis	<15%(Sr)	<15%(Sr)
Repeat Accuracy	<1.0%(Sr)	<1.0%(Sr)
Protection Category	IP67	IP67
Operating Temperature	-25°C - +70°C	-25°C - +70°C
Temperature Drift	<10%(Sr)	<10%(Sr)
Short Circuit Protection	YES	YES
Overload Trip Point	220mA	220mA
Material Active Face	POM	POM
DC 3 wire 10-30V NPN N.O.	<b>P1D1S041.5NOTA3</b>	<b>P1C1S050.8NO3S2</b>
DC 3 wire 10-30V NPN N.C.	<b>P1D1S041.5NCTA3</b>	<b>P1C1S050.8NC3S2</b>
DC 3 wire 10-30V PNP N.O.	<b>P1D1S041.5POTA3</b>	<b>P1C1S050.8PO3S2</b>
DC 3 wire 10-30V PNP N.C.	<b>P1D1S041.5PCTA3</b>	<b>P1C1S050.8PC3S2</b>
DC 4 wire 10-30V Changeover PNP (N.O. & N.C.)		
DC 4 wire 10-30V Changeover NPN (N.O. & N.C.)		
DC 2 wire 10-60V N.O.		
DC 2 wire 10-60V N.C.		
DC 3 wire 10-55V NPN N.O.		
DC 3 wire 10-55V NPN N.C.		
DC 3 wire 10-55V PNP N.O.		
DC 3 wire 10-55V PNP N.C.		
DC 3 wire 5-36V NPN N.O.		
DC 3 wire 5-36V NPN N.C.		
DC 3 wire 5-36V PNP N.O.		
DC 3 wire 5-36V PNP N.C.		
DC 4 wire 5-36V Changeover PNP (N.O. & N.C.)		
DC 4 wire 5-36V Changeover NPN (N.O. & N.C.)		
Dimensions (unit: mm)		
Cable 2M (PUR)	2.7 $\phi$ 3x0.15	2.7 $\phi$ 3x0.15
Weight	approx.25 g	approx.25 g