

DC ULTRA-MINI INDUCTIVE PROXIMITY SENSORS

Diameter

- Shielded ○ Non-shielded
- Switching Distance Sn: mm
- Housing Material
- With LED ○ Without LED

Picture

M4

-
- 0.6 mm
- Stainless steel
-



M4

-
- 0.6 mm
- Stainless steel
-



Operating Voltage
Ripple
No Load Current
Max. Load Current
Leakage Current
Voltage Drop
Switching Frequency
Response Time
Switching Hysteresis
Repeat Accuracy
Protection Category
Operating Temperature
Temperature Drift
Short Circuit Protection
Overload Trip Point
Material Active Face

10-30VDC
<10%
<10mA
100mA
<0.01mA
<1.5V
2KHZ
0.1ms/0.1ms
<15%(Sr)
<1.0%(Sr)
IP67
-25°C- +70°C
<10%(Sr)
YES
120mA
POM

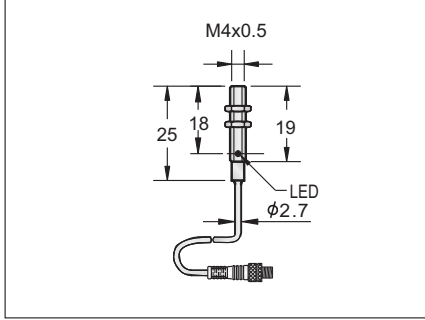
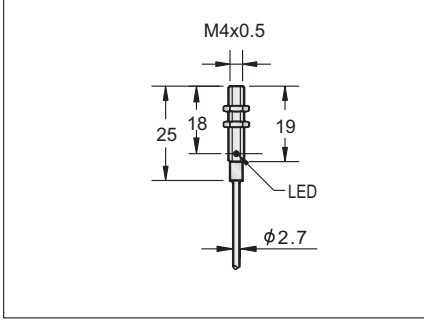
10-30VDC
<10%
<10mA
100mA
<0.01mA
<1.5V
2KHZ
0.1ms/0.1ms
<15%(Sr)
<1.0%(Sr)
IP67
-25°C- +70°C
<10%(Sr)
YES
120mA
POM

DC 3 wire 10-30V NPN N.O.
DC 3 wire 10-30V NPN N.C.
DC 3 wire 10-30V PNP N.O.
DC 3 wire 10-30V PNP N.C.
DC 4 wire 10-30V Changeover PNP (N.O. & N.C.)
DC 4 wire 10-30V Changeover NPN (N.O. & N.C.)
DC 2 wire 10-60V N.O.
DC 2 wire 10-60V N.C.
DC 3 wire 10-55V NPN N.O.
DC 3 wire 10-55V NPN N.C.
DC 3 wire 10-55V PNP N.O.
DC 3 wire 10-55V PNP N.C.
DC 3 wire 5-36V NPN N.O.
DC 3 wire 5-36V NPN N.C.
DC 3 wire 5-36V PNP N.O.
DC 3 wire 5-36V PNP N.C.
DC 4 wire 5-36V Changeover PNP (N.O & N.C.)
DC 4 wire 5-36V Changeover NPN (N.O & N.C.)

P1C1S040.6NO3A2	1
P1C1S040.6NC3A2	2
P1C1S040.6PO3A2	3
P1C1S040.6PC3A2	4

P1C1S040.6NOTA3	25
P1C1S040.6NCTA3	25
P1C1S040.6POTA3	26
P1C1S040.6PCTA3	26

Dimensions (unit: mm)



Cable 2M (PUR)
Weight

2.7φ 3x0.15
approx.25 g

2.7φ 3x0.15
approx.25 g